

Ax1



Bx2



Cx2



Dx8



M6x15mm

Ex8



M6x62mm

Fx1



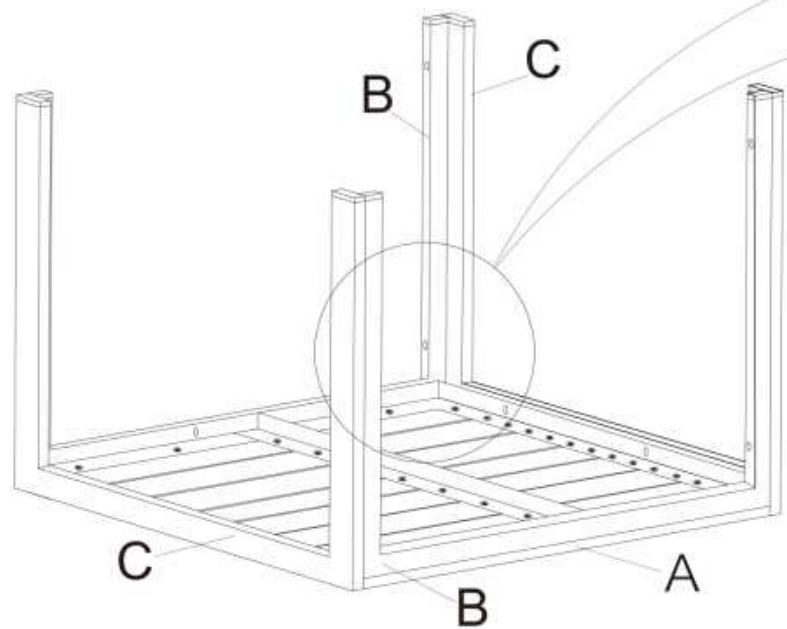
Gx16



Hx16



1



2

