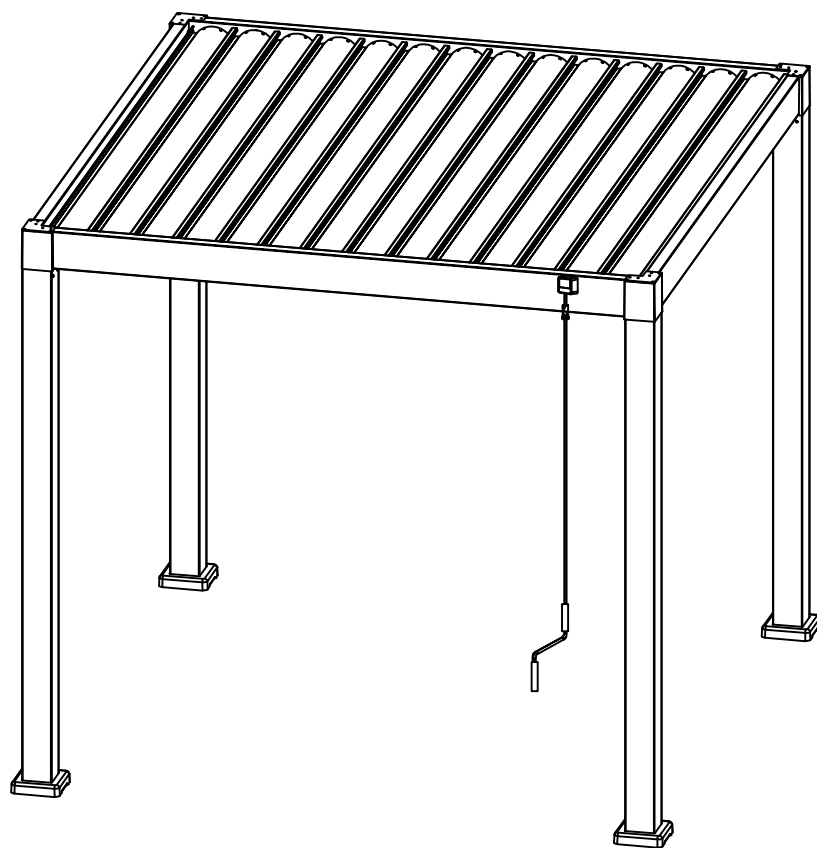
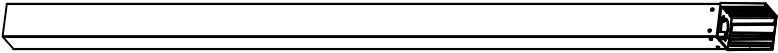






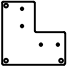
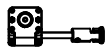

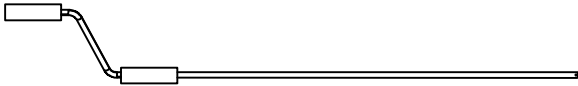
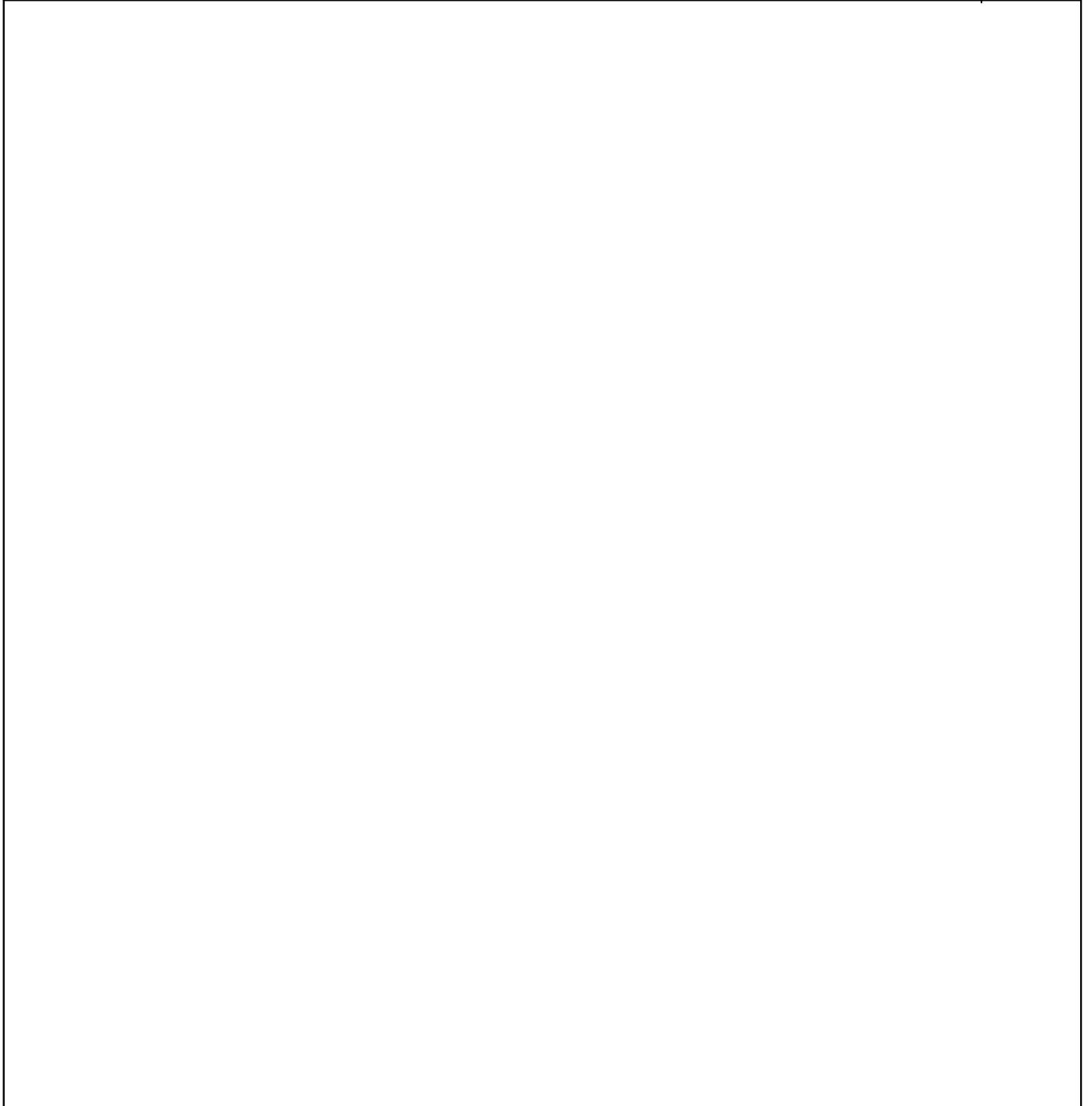


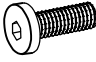

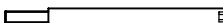


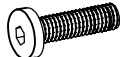



2. 4x2. 4M



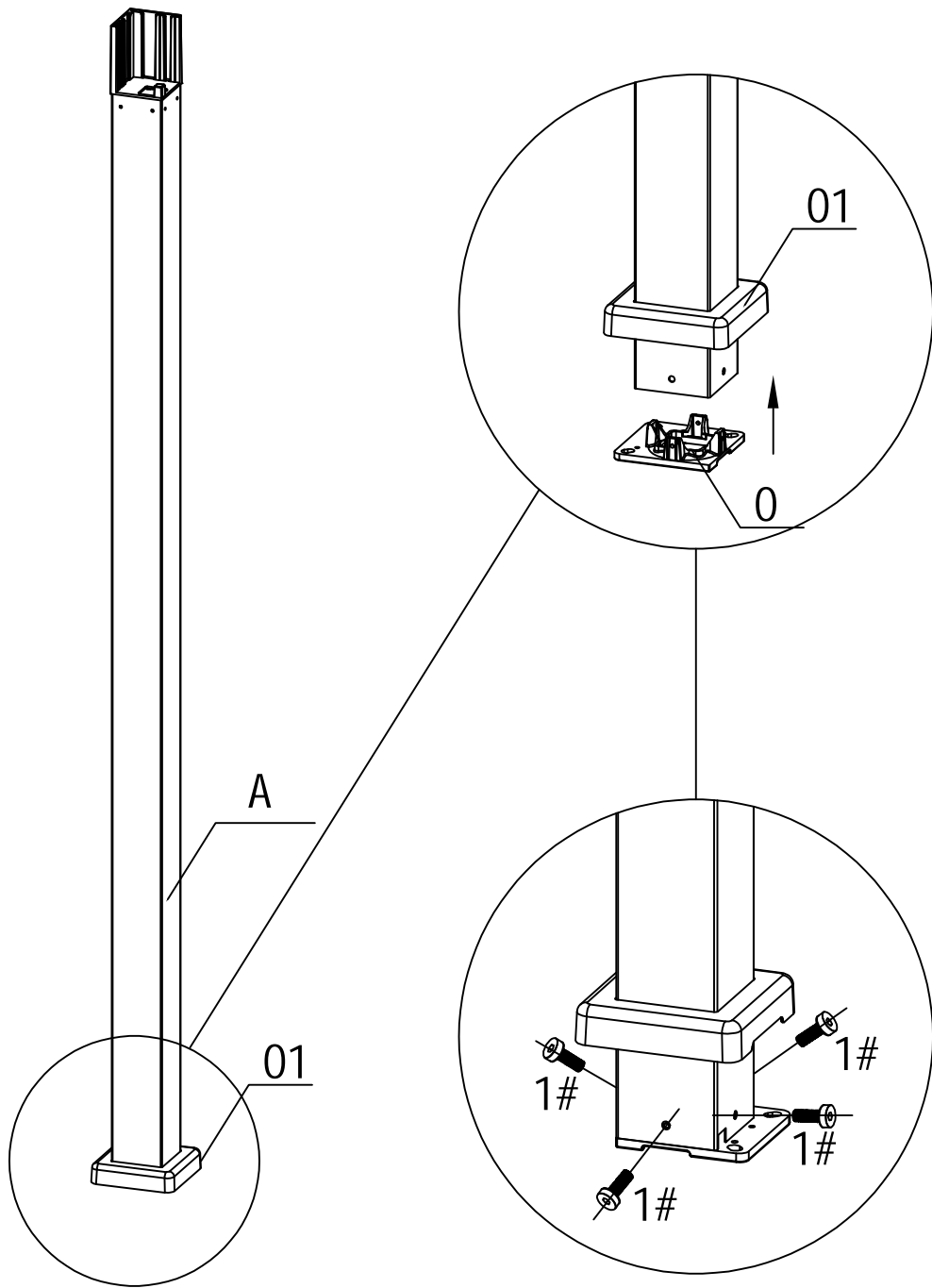
A		4
B		1
C		1
D		2
E		14
O		4
01		4
H		4

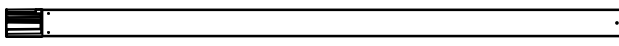

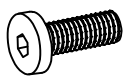

J		1
K		1
L		1



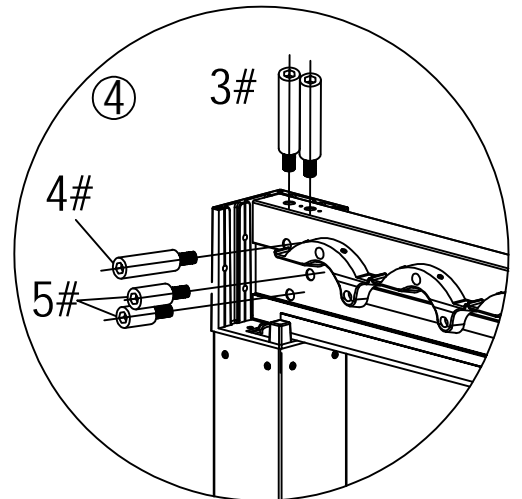
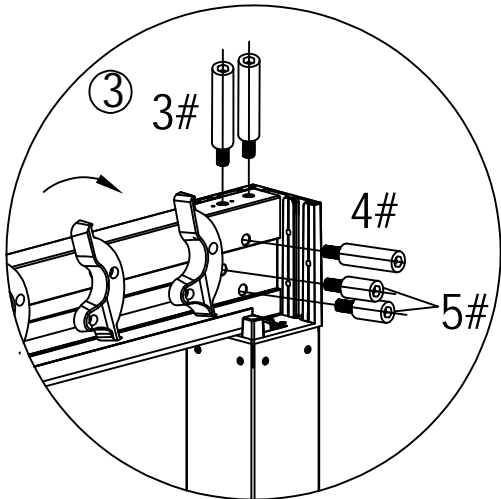
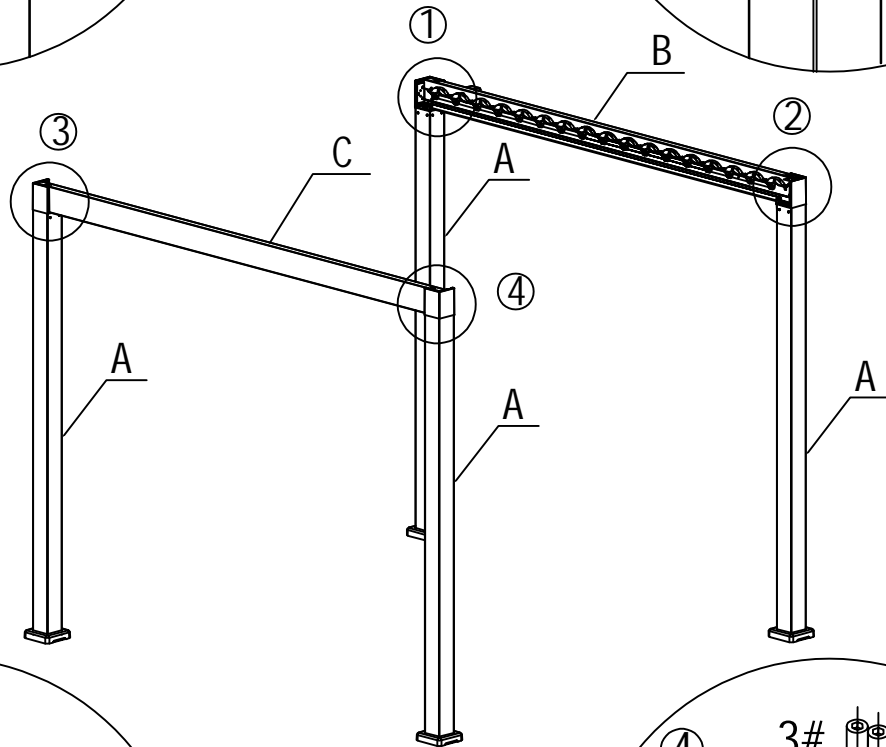
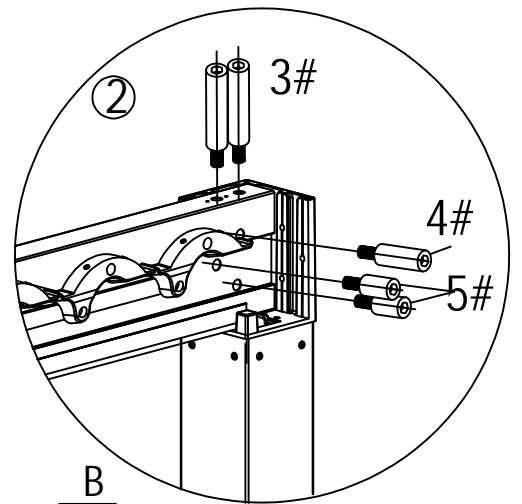
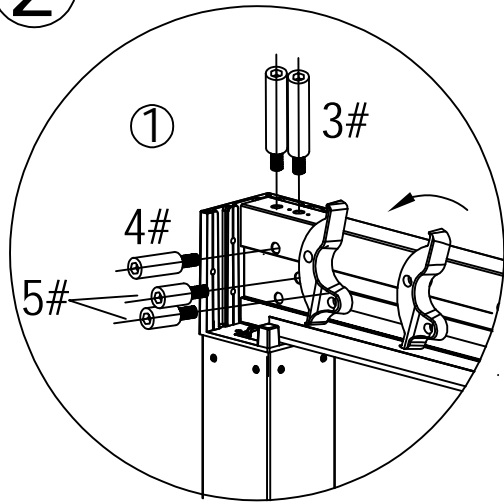
1#	 M6*15	28+2
2#	 M5*16	72+10
3#	 M8*155	12
4#	 M8*53	16
5#	 M8*48	8
6#	 M6*20	1
8#	 M6*45	4
	 6mm	1
	 4mm	1

1



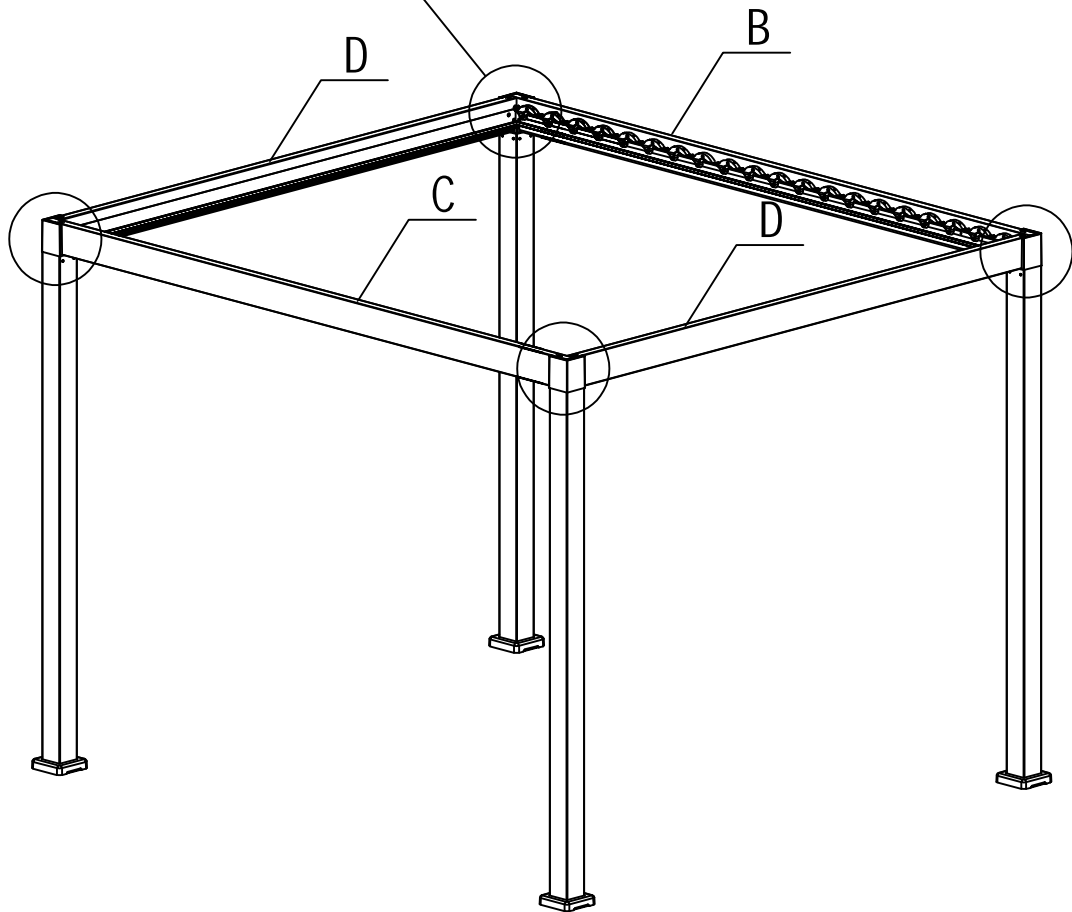
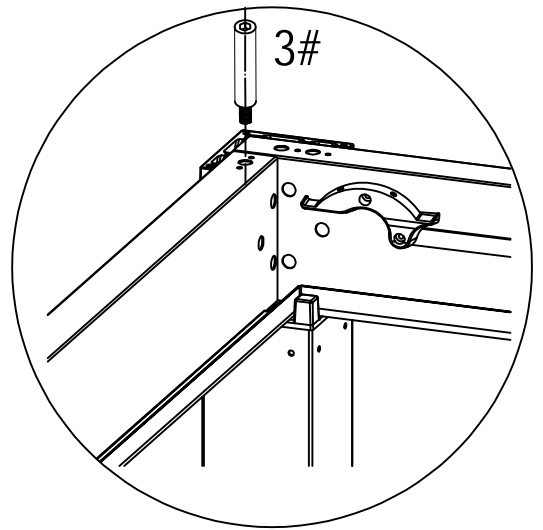
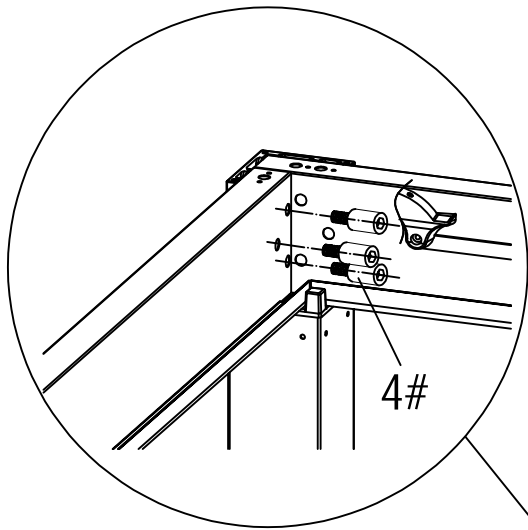
A	4		0	4	
1#	16		01	4	

2



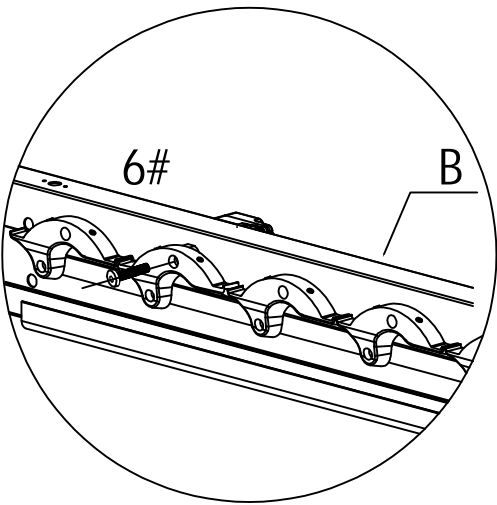
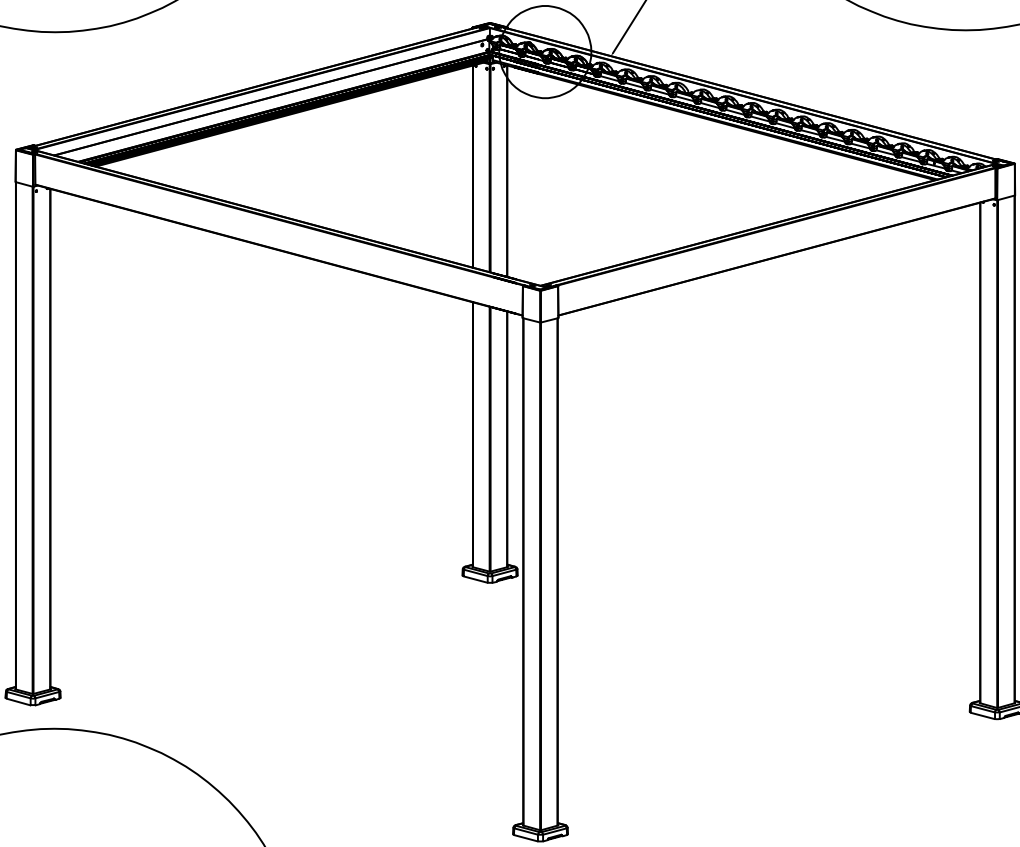
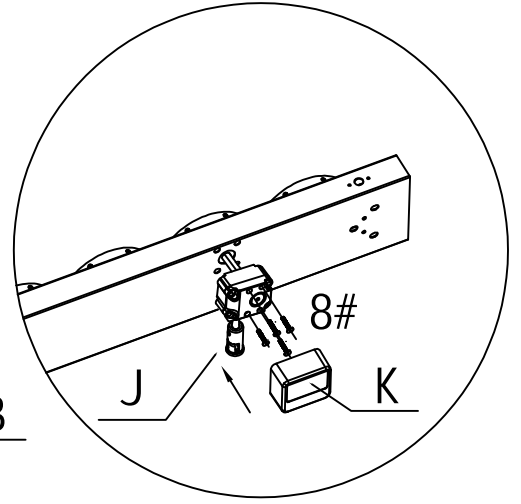
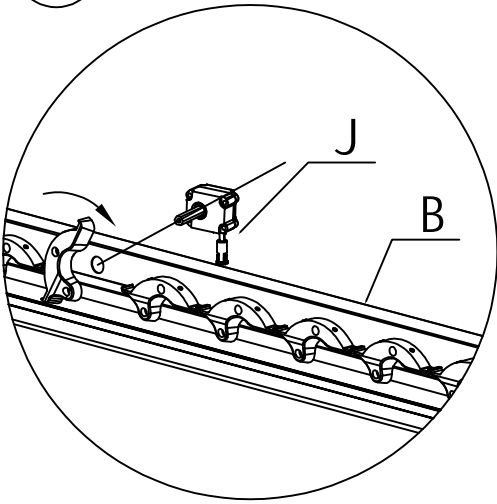
B	1							
C	1							
3#	8		4#	4		5#	8	

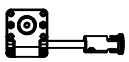

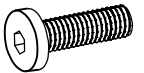
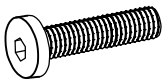
3



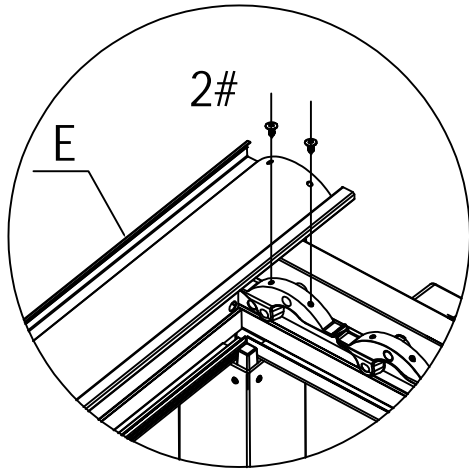
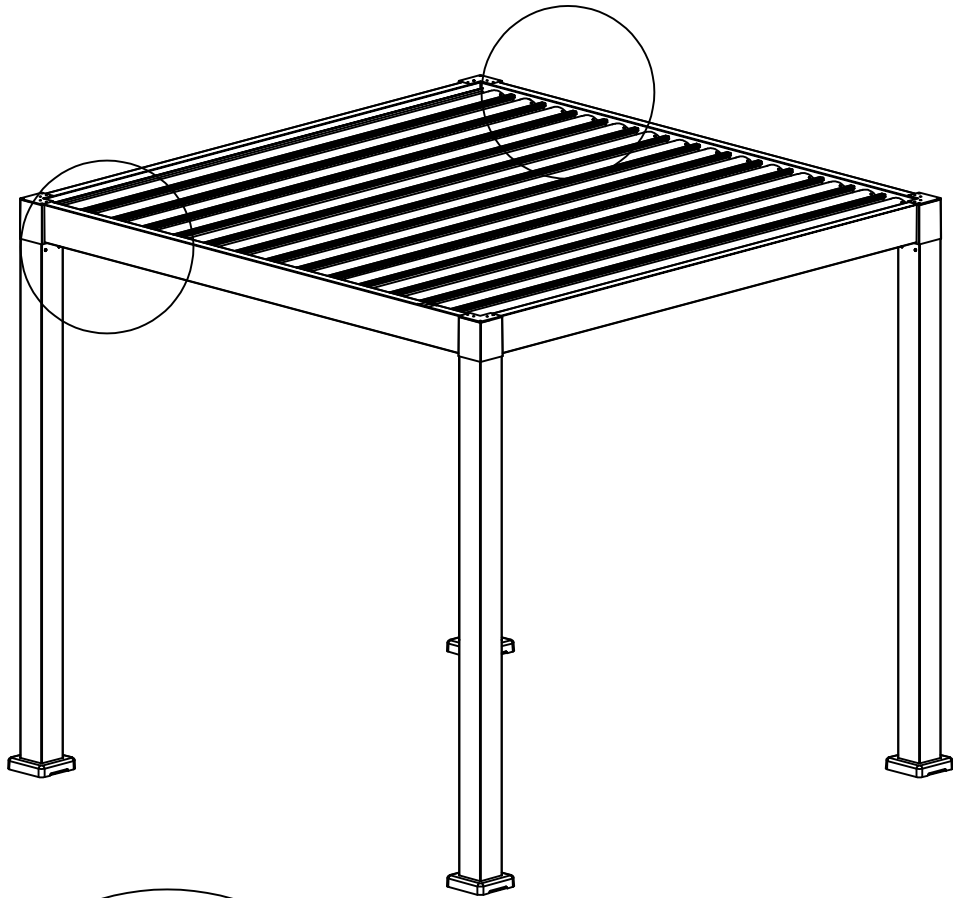
D	2			
3#	4		4# 12	



4



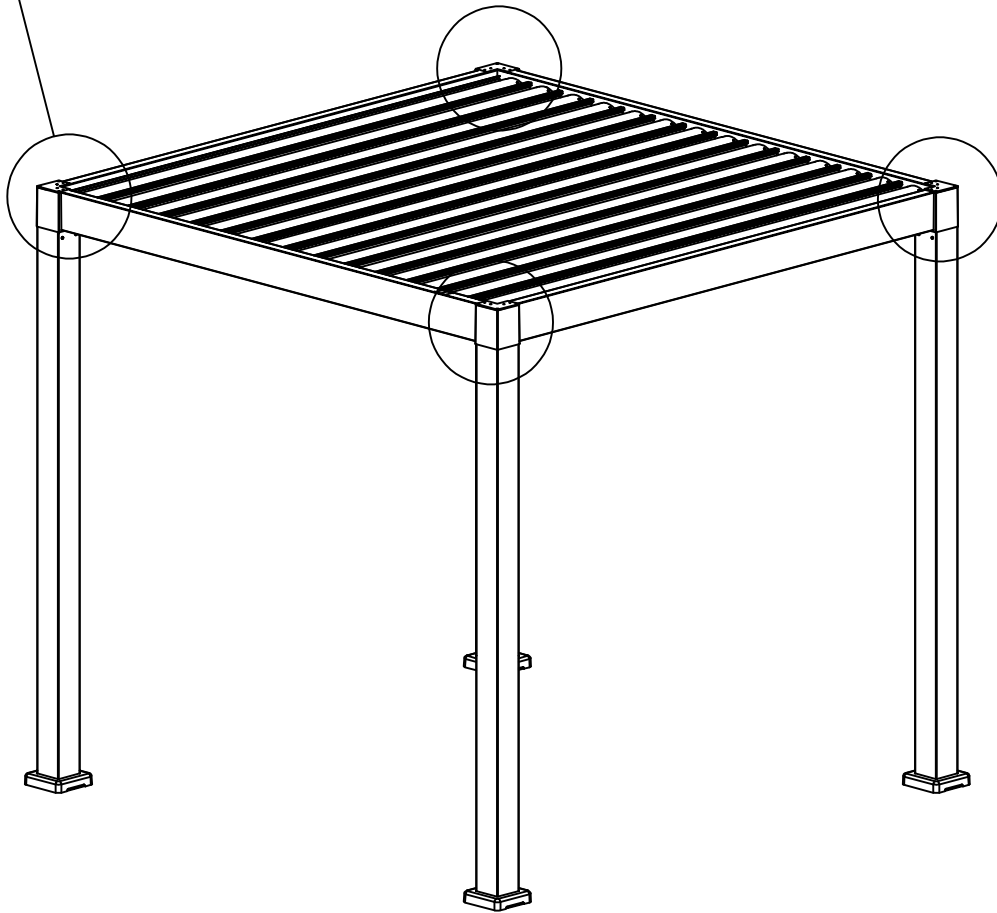
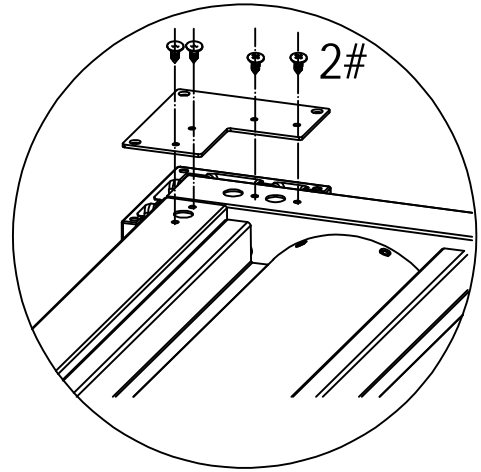
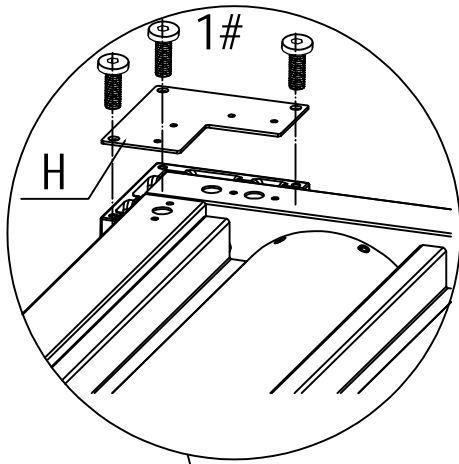
J	1		K	1	
6#	1		8#	4	

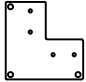
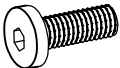

5



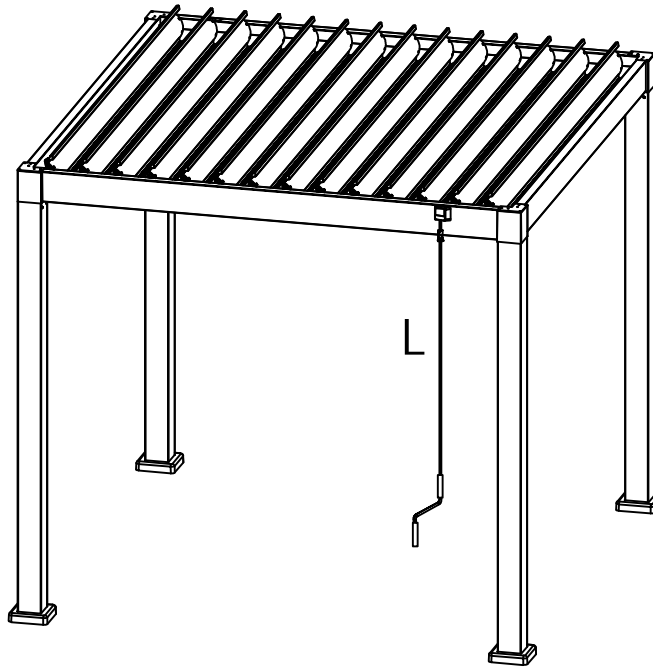
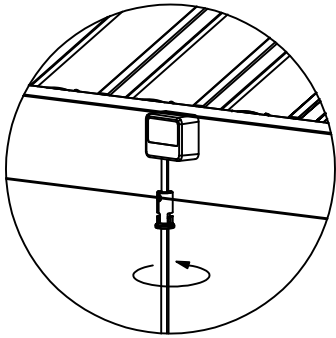
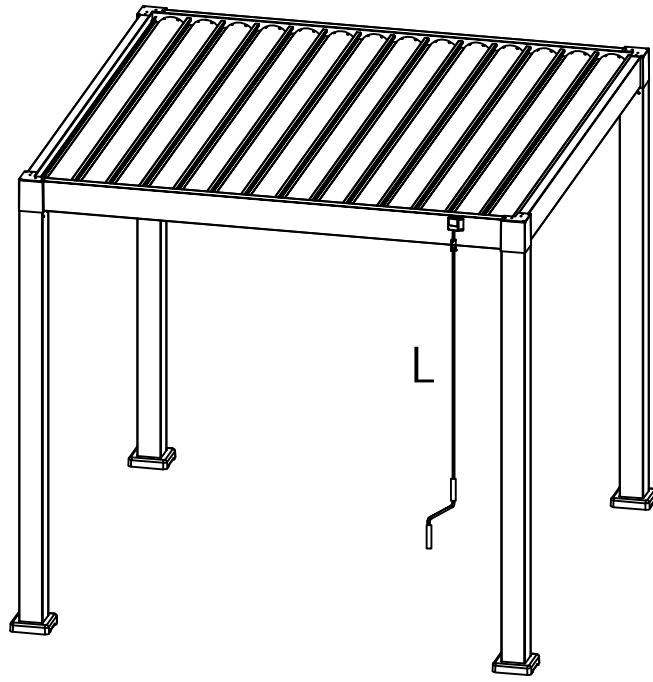
E	14	
2#	56	

6



H	4			
1#	12		2#	16 

7



L	1	
---	---	--