

# BMS6282 Storage Shed

## ASSEMBLY INSTRUCTIONS

### BMS6282 Remises de jardin

### INSTRUCTIONS D'ASSEMBLAGE

### BMS6282 Casetas de almacenamiento

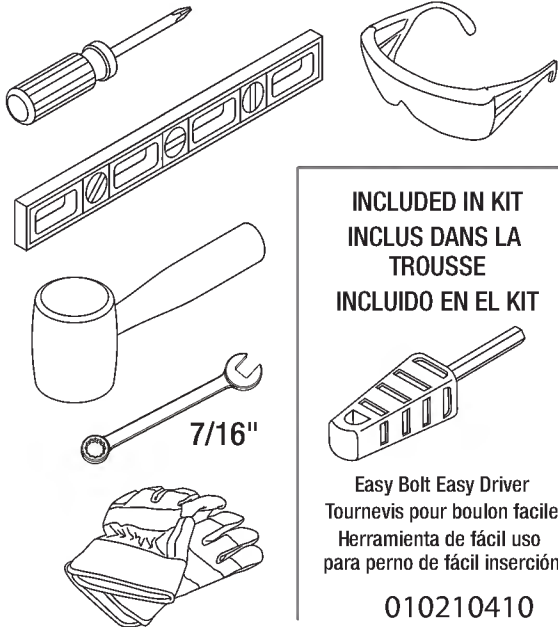
### INSTRUCCIONES DE ARMADO



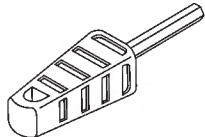
#### Tools Required

Outil requis

Herramientas necesarias



INCLUDED IN KIT  
INCLUS DANS LA  
TROUSSE  
INCLUIDO EN EL KIT



Easy Bolt Easy Driver  
Tournevis pour boulon facile  
Herramienta de fácil uso  
para perno de fácil inserción

010210410



English	3
Français	19
Español	35
한국어	53
日本	69

**SUNCAST**®

Smart. Inside & Out®

# Register your product for Limited Warranty!

Must register product within 90 days of purchase for limited warranty

## Enregistrez votre produit au programme de garantie limitée

Vous devez enregistrer votre produit au programme de garantie limitée dans les 90 jours suivant votre achat.

## iRegistre su producto para obtener una garantía limitada!

Debe registrar el producto dentro de los 90 días posteriores a la compra para obtener una garantía limitada



### Scan for updated Limited Warranty

Scanner pour obtenir la garantie limitée à jour

Escanear para obtener garantía limitada actualizada

**[www.suncast.com/warranty](http://www.suncast.com/warranty) or call US 1 (800) 846-2345**

[www.suncast.com/warranty](http://www.suncast.com/warranty) ou appelez-nous 1 (800) 846-2345

[www.suncast.com/warranty](http://www.suncast.com/warranty) o llámenos 1 (800) 846-2345

## Have Questions?

We are here to help. Check out our resource library along with helpful tips, videos and FAQ's.

You may call the Contact Center directly at: 1 (800) 846-2345 or write

Suncast Corporation, Contact Center, 701 N. Kirk Road, Batavia, IL 60510 (USA)

### Des questions?

Nous pouvons vous aider. Consultez notre bibliothèque de ressources où vous trouverez des conseils utiles, des vidéos et une FAQ.

Vous pouvez communiquer directement avec le centre d'appels au: 1-800-846-2345 ou écrire à

Suncast Corporation, Contact Center, 701 N. Kirk Road, Batavia, IL 60510 (États-Unis)

### ¿Alguna pregunta?

Estamos aquí para ayudarle. Consulte nuestra biblioteca de recursos junto con sugerencias útiles, videos y preguntas frecuentes.

Puede llamar al Centro de atención directamente al: 1 (800) 846-2345 o escribir a

Suncast Corporation, Contact Center, 701 N. Kirk Road, Batavia, IL 60510 (EE.UU.)

**To purchase Suncast replacement parts and learn about other Suncast products visit us online or call.**

Pour acheter des pièces de rechange Suncast et pour plus d'informations sur d'autres articles Suncast, rendez-vous sur notre site Internet ou appelez-nous.

Para comprar piezas de repuesto Suncast y obtener más información acerca de otros productos Suncast, visítenos en línea o llámenos por teléfono.



**[www.suncast.com](http://www.suncast.com)**


1-800-846-2345 or 1-630-381-6309.

1-800-846-2345 ou le 1-630-381-6309.

1-800-846-2345 o al 1-630-381-6309.



## Before You Begin...

- **Consult your local authorities for any permits required to construct shed.**  
Prior to the construction of your shed, check with the local building code official to review any required permits or building limitations.
- **A level and sturdy foundation is required before shed construction can begin.**  
Review the site preparation information within the manual before beginning assembly.
- **Read instructions thoroughly prior to assembly.**  
This kit contains parts that can be damaged if assembled incorrectly or in the wrong sequence.
- **Please follow instructions.**  
Suncast is not responsible for replacing parts lost or damaged due to incorrect assembly.
- **Assistance is required during entire assembly.** 

## IMPORTANT

OPEN ALL BOXES FIRST AND NEATLY LAYOUT PARTS. SMALL PARTS MAY BE CONTAINED IN EACH BOX. PLEASE REFERENCE THE PARTS LIST WITHIN THIS MANUAL TO VERIFY ALL PARTS ARE PRESENT.

COMPLETE SITE PREPARATION AND FOUNDATION CONSTRUCTION BEFORE UNPACKING ALL PARTS.



## Caution

- Proper site preparation required.
- Shed not intended for use in extreme weather conditions.
- Shed not intended for storage of flammable or caustic chemicals.
- Store heavy items near the bottom of shed.
- Shed not intended for use by children.
- DO NOT stand, sit, or store items on storage shed roof.
- Treat carefully in extreme temperatures.
- Repair or replace broken parts immediately.
- Suncast is not responsible for damage caused by weather or misuse.
- At regular intervals inspect your shed to make sure that assembly integrity has been maintained.
- Periodically check that the location you have chosen to set your shed is still level.
- This kit contains parts with metal edges. Please be careful when handling.



## Shed Safety and Care

- Hot items, such as recently used grills, blowtorches, etc., must not be stored in the shed.
- Heavy articles should not be leaned against the walls, as this may cause panel distortion and permanent damage.
- Keep roof clean of snow and leaves.
- The shed walls and roof sections have a textured exterior, much like vinyl home siding. Over time, dust may accumulate in the texture. When combined with moisture, this could encourage the growth of moss or mold on the shed. To maintain the look of your shed, we recommend cleaning it each year with mild soap and water.  
**DO NOT** use bleach, ammonia, or other caustic cleaners, and **DO NOT** use stiff bristle brushes. Failure to perform annual cleaning could result in permanent staining of the plastic. This is not a manufacturing defect and is not covered under warranty.

## Assembly Day Tips

- Complete site preparation and foundation construction before unpacking parts and beginning assembly.
- **DO NOT** attempt to assemble on a day with strong winds.
- **DO NOT** attempt to assemble on days when temperature is below 32 degrees.
- Set aside appropriate amount of time to completely assemble shed. Assembly time is approximately 3 hours.
- Make sure you have assistance nearby to lift and secure parts in place.
- Wear light duty work gloves while assembling shed.
- Once roof is assembled, a flashlight may be of use when assembling smaller components inside shed.
- **DO NOT** use a hand drill to tighten provided Easy Bolts. Use 010210410 Easy Bolt Easy Driver tool (provided) **ONLY**.
- Suncast provides extra hardware for small fasteners for customer convenience. In some cases, there will be extra small fasteners once the assembly is complete.

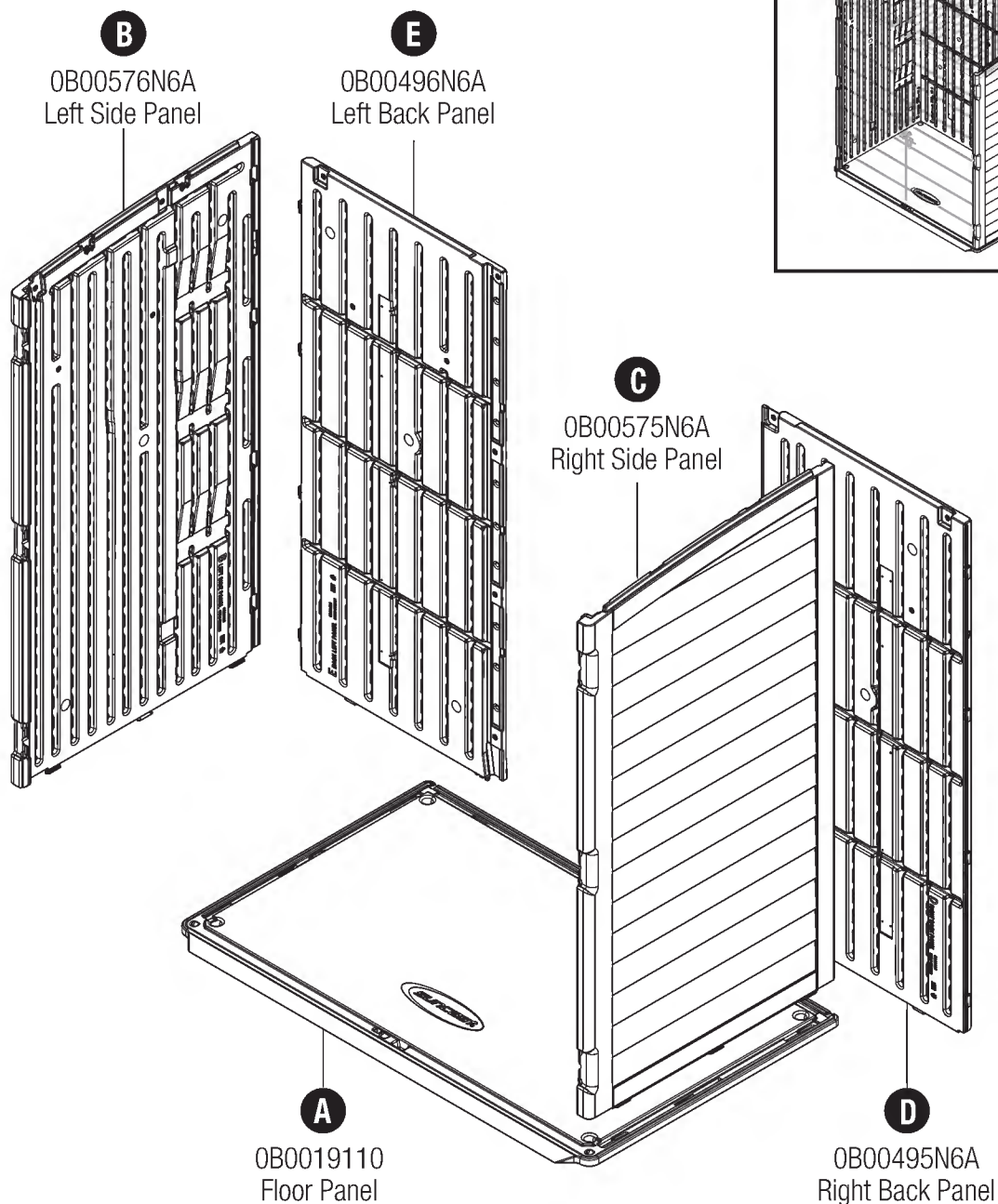
**Note:** This product contains parts that are used in different orientations to construct the shed. Please take note of the orientation of the parts shown throughout this instruction manual. Failure to follow instructions could result in damage to parts. Suncast is not responsible for replacing parts lost or damaged due to incorrect assembly.

## **IMPORTANT**

OPEN ALL BOXES FIRST AND NEATLY LAY OUT PARTS. SMALL PARTS MAY BE CONTAINED IN EACH BOX. PLEASE REFERENCE THE PARTS LIST WITHIN THIS MANUAL TO VERIFY ALL PARTS ARE PRESENT.

COMPLETE SITE PREPARATION AND FOUNDATION CONSTRUCTION BEFORE UNPACKING ALL PARTS.

## **Parts - Walls and Floors**

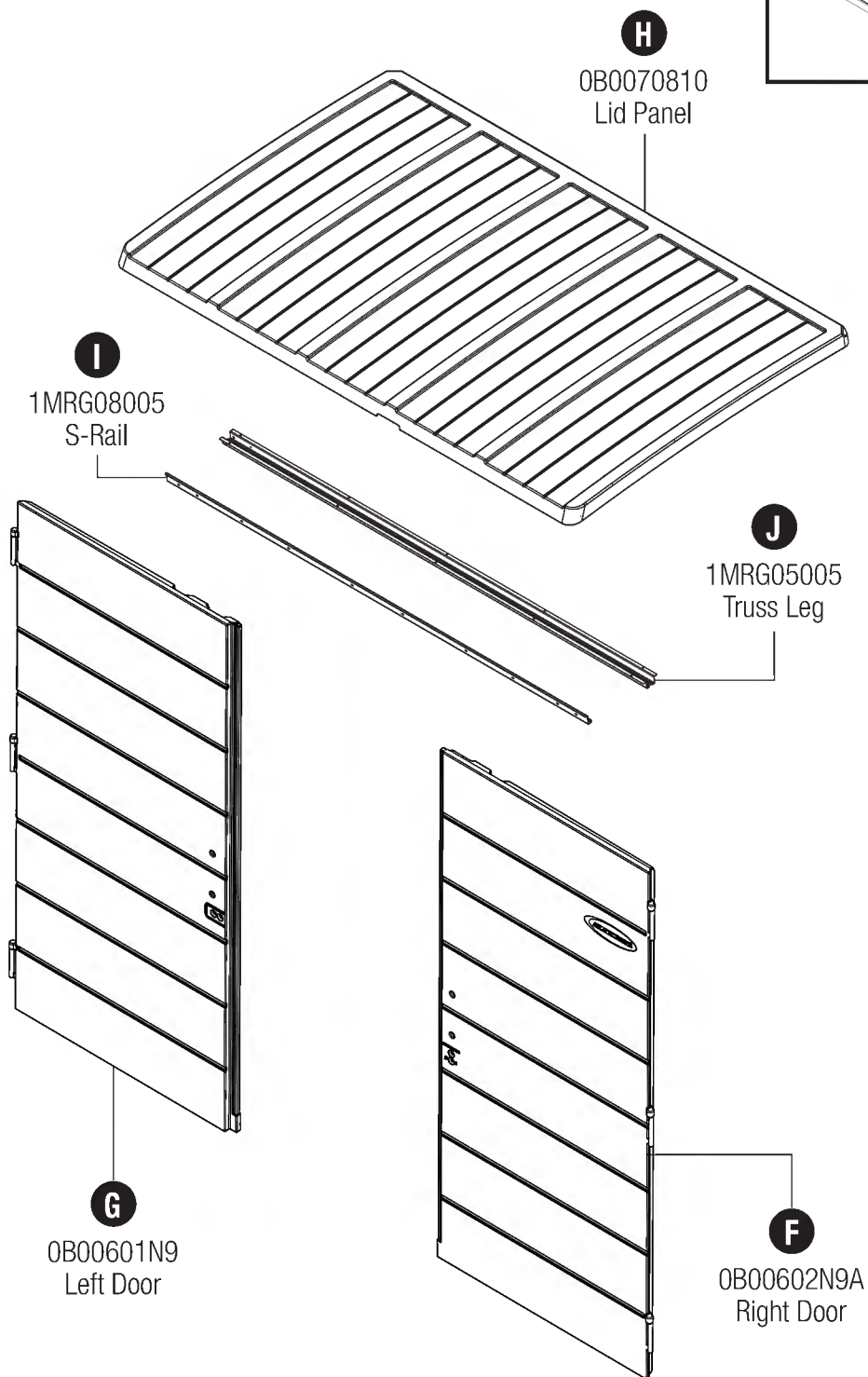
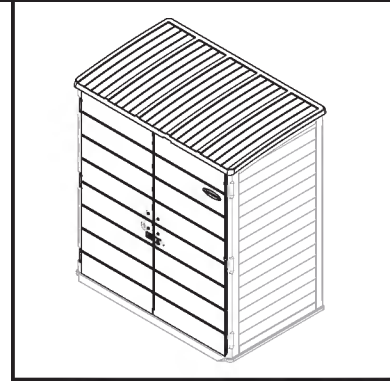


# Parts - Doors

## IMPORTANT

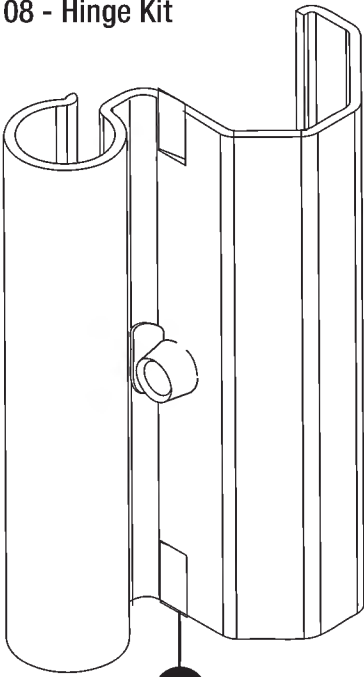
OPEN ALL BOXES FIRST AND NEATLY LAY OUT PARTS. SMALL PARTS MAY BE CONTAINED IN EACH BOX. PLEASE REFERENCE THE PARTS LIST WITHIN THIS MANUAL TO VERIFY ALL PARTS ARE PRESENT.

COMPLETE SITE PREPARATION AND FOUNDATION CONSTRUCTION BEFORE UNPACKING ALL PARTS.



# Hardware

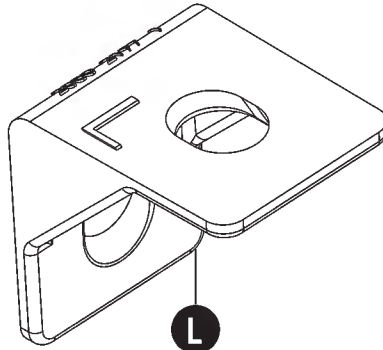
## 0860108 - Hinge Kit



**AA**

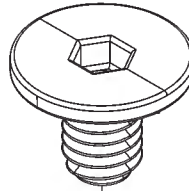
OMP000022  
Metal Hinge Plate  
x6

## Hardware Bag



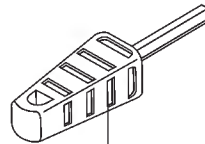
**L**

0102197N6  
Roof Retainer  
x7



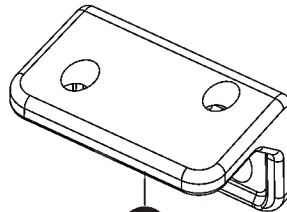
**EE**

Easy Bolt 7/8"  
x17



**FF**

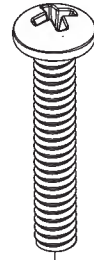
010210410  
Easy Bolt Driver



**II**

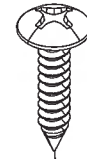
0102721  
Roof Bracket  
x2

## 0480524 - Hardware Bag



**GG**

0631017  
1/4 - 20 x 1-1/2"  
Machine Screw  
x7



**HH**

0631149  
#10 x 3/4"  
Pan Head Screw  
x28

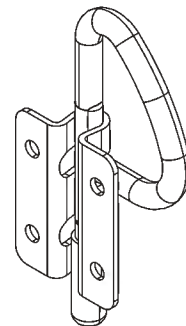
## 0480452 - Hardware Bag



**UU**

0210180  
#8 x 5/8" Screw  
x9

## 0440631 - Hardware Bag



**O**

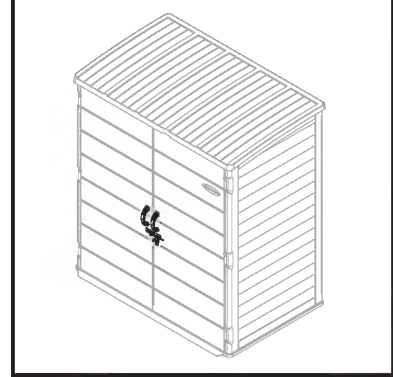
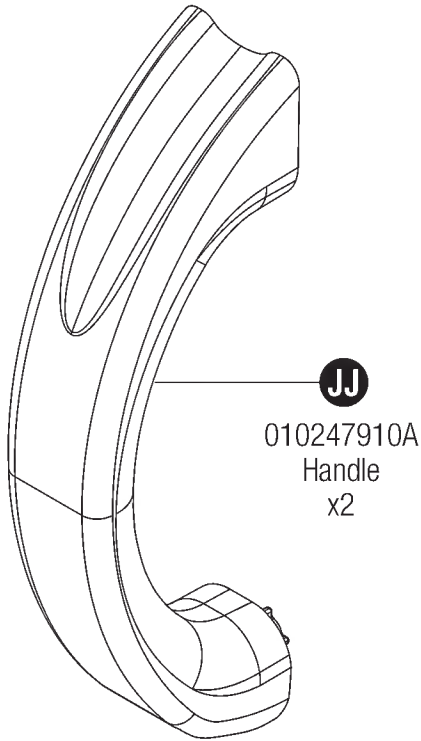
0280384  
D-Ring Slide Bolt  
x2

Extra hardware provided. Not all is used.

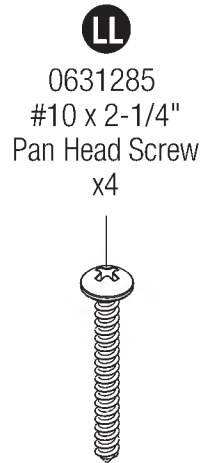


# Hardware - Door Handle Kit Parts

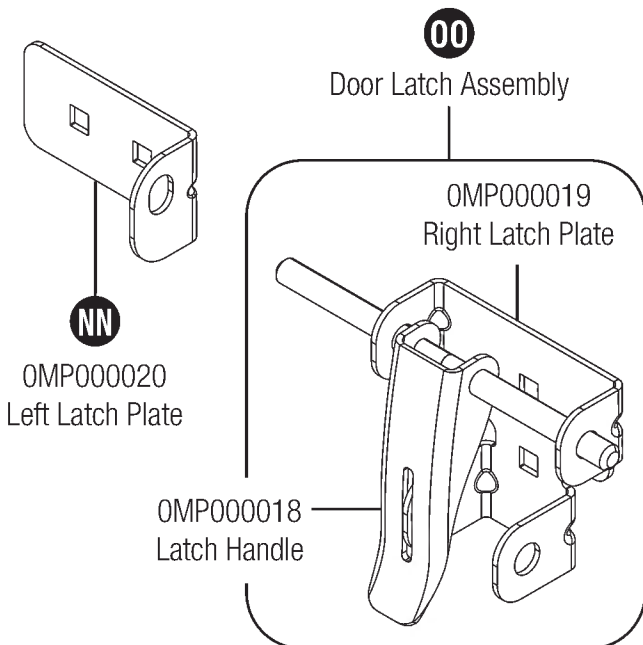
## 0464523 - Door Handle Kit



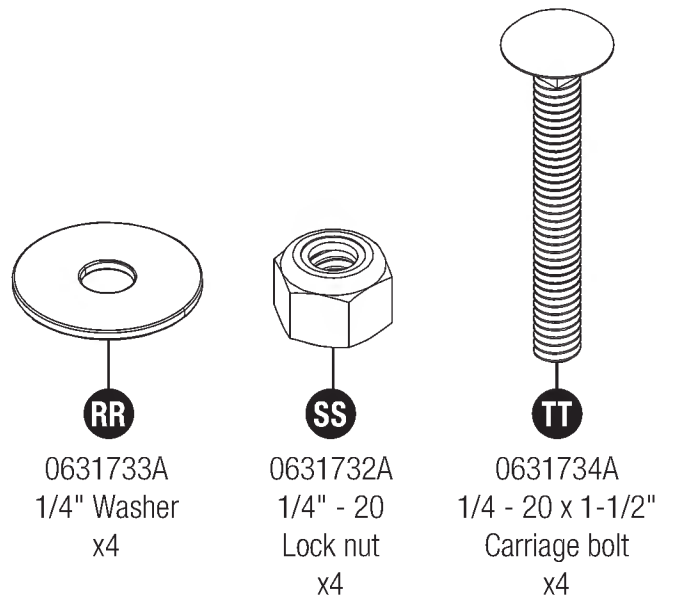
## 0480370 - Door Handle Hardware



## 0464504 - Door Latch Kit



## 0480439A - Hardware Bag





# Site Preparation and Platform Construction

Materials **NOT** supplied with Shed Kit

**Note:** Site preparation is required for this shed. Placing the shed on a constructed foundation is required. Without a constructed foundation, settling will probably occur, causing distortion and damage to the shed. SunCast is not responsible for replacing parts damaged or property lost due to incorrect assembly. Warranty requires foundation.

**Note:** Complete the site preparation and foundation construction before unpacking parts and beginning assembly. For tips on site preparation, go to [www.suncast.com](http://www.suncast.com), consult retailer, or local code.

## To prepare your shed site, follow the below steps:

- 1) Consult your local authorities for building codes and covenants before beginning foundation or erecting shed.
- 2) Before any digging, check with local utilities to determine location of buried cables, pipes, etc.
- 3) Decide which type of foundation you want:
  - Concrete slab, 4" thick

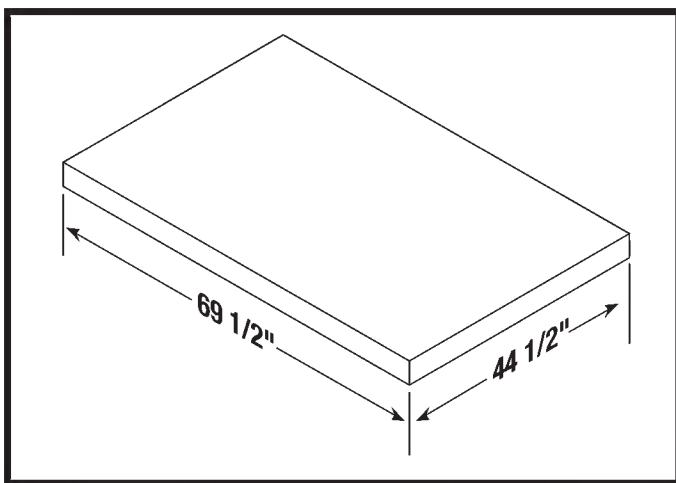
**OR**

### - Wood platform

Use exterior grade wood. The wood platform should be set on pier blocks or footing. Consult your local retailer for help to determine the best anchoring method for your particular installation. The provided plans are sized for the minimum number of cuts to lumber and plywood.

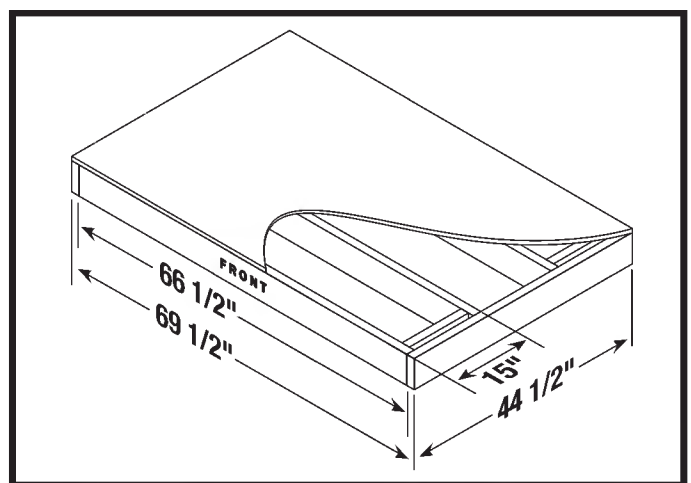
- 4) Prepare the building site:
  - The ground should slope away from the foundation area to provide drainage.
  - The foundation surface must be flat and level.
  - A vapor barrier should be provided to prevent excessive condensation in the shed.
  - Follow local building codes for a proper vapor barrier.
- 5) Anchoring the shed to the foundation:
  - Consult your local retailer for help to determine the best anchoring method for your particular installation.
  - To secure the shed to a concrete slab, use masonry fasteners available at your local hardware retailer.
  - To secure the shed to a wood platform, use 1/4" x 3" long lag screws with washers.

## Anchoring floor panel to concrete slab



- Secure shed to concrete slab using masonry fasteners.
- Dimensions allow for shed to fit within the nearest 1" on each side.

## Anchoring floor panel to wood platform

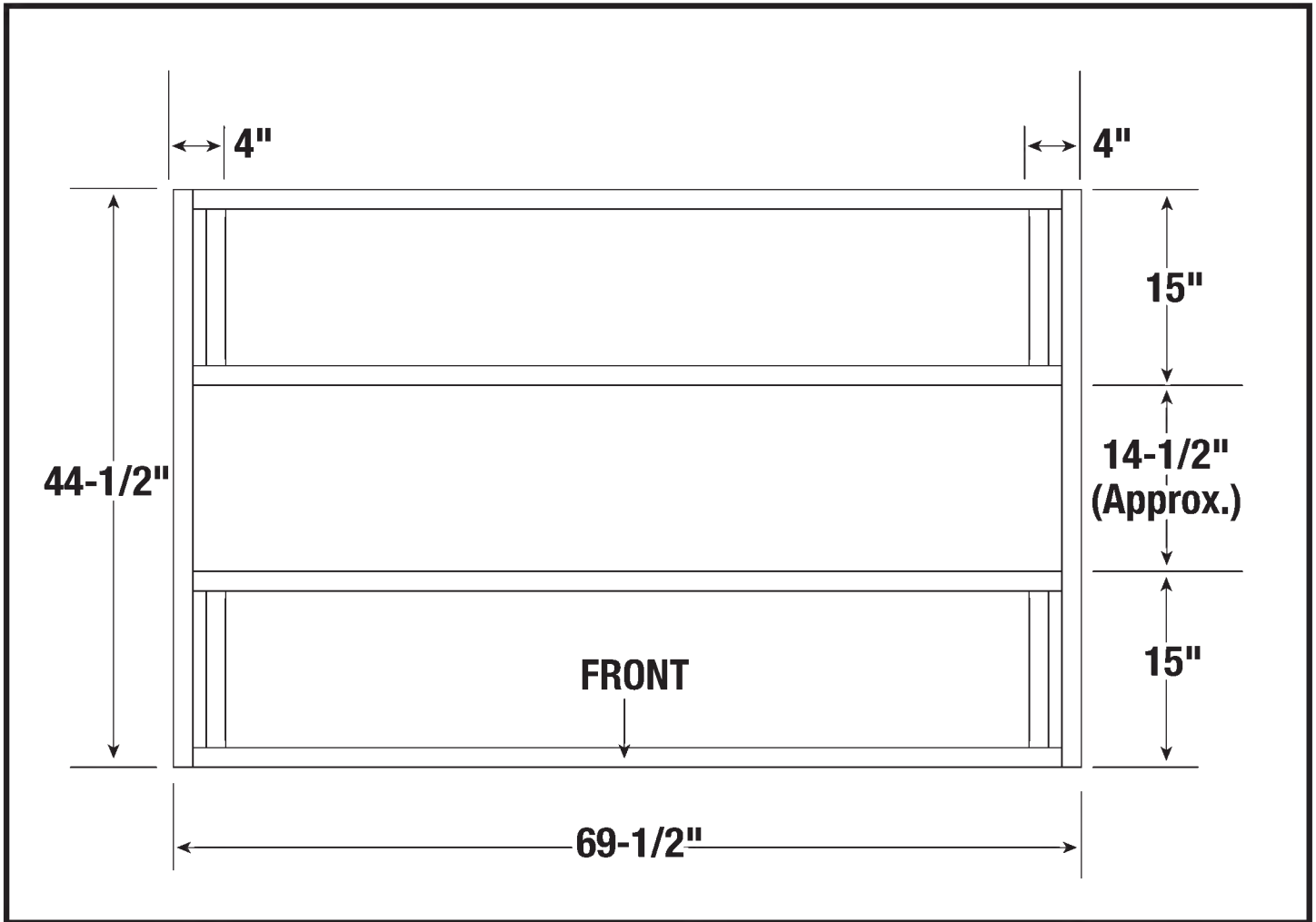


- Secure shed to wood platform using 1/4" x 3" lag screws.

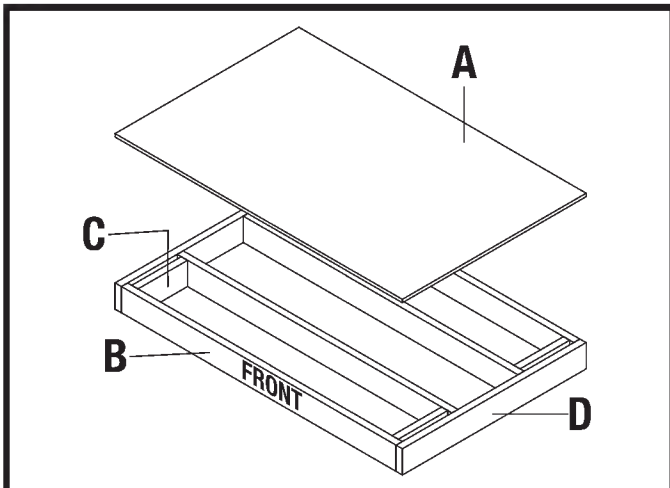
# Site Preparation and Platform Construction (continued)

Materials **NOT** supplied with Shed Kit

## Wood platform critical spacing



- Check all critical spacing measurements.

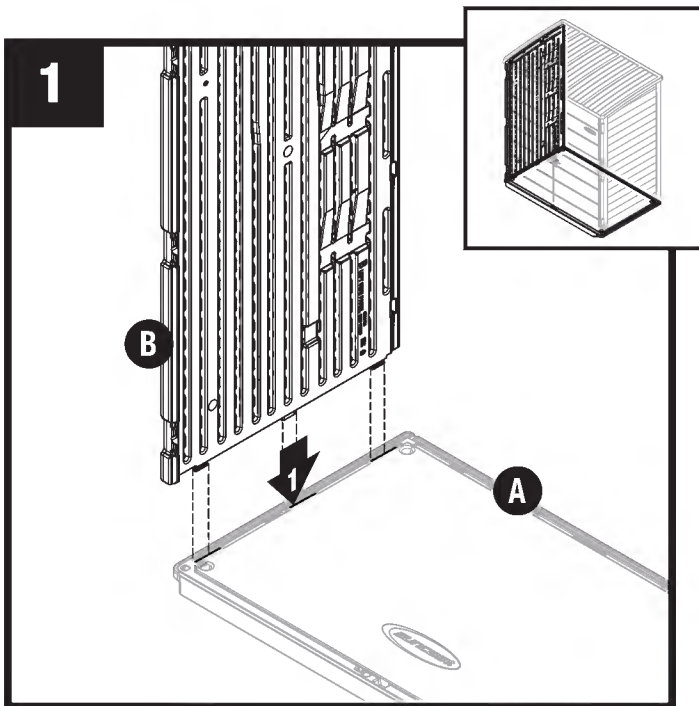



### Materials list

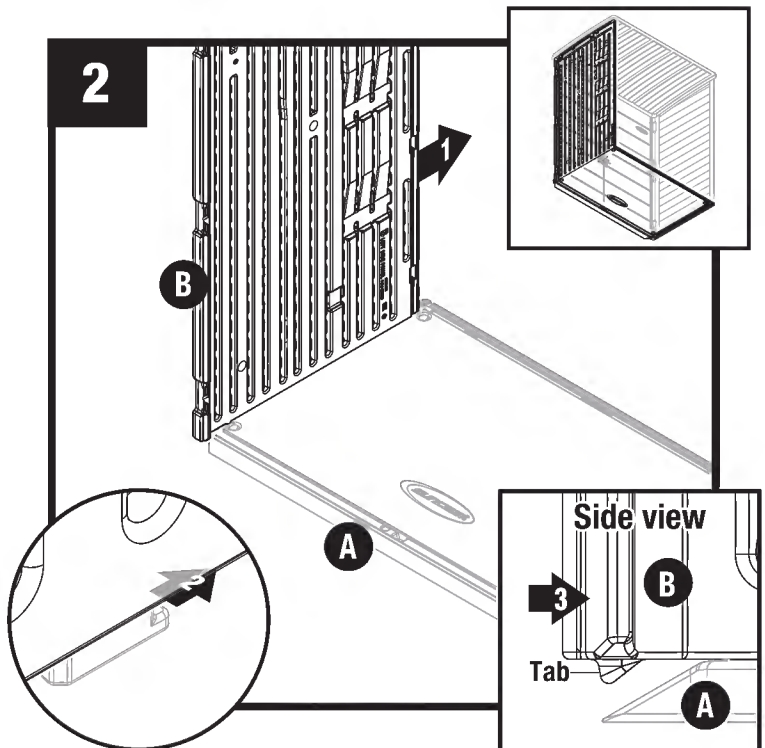
Item	Qty	Size
A	1	44-1/2" x 69-1/2" x 3/4"
B	4	2" x 6" x 66-1/2"
C	4	2" x 6" x 12"
D	2	2" x 6" x 44-1/2"


**Note:** dimensional lumber is actually 1/2" smaller than noted sizes.


# Assembly/Walls

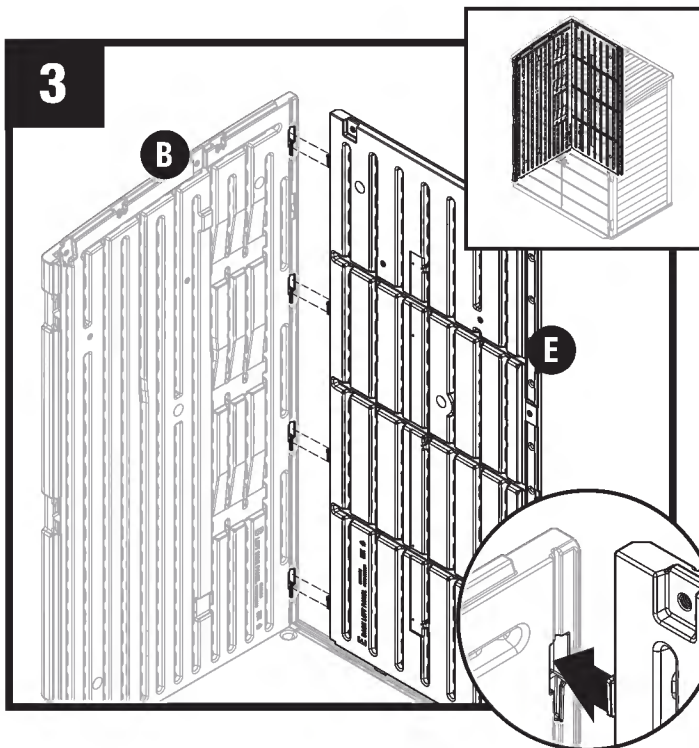



 Align tabs on bottom left side panel (B) with slots on floor (A). Lower panel into slots.

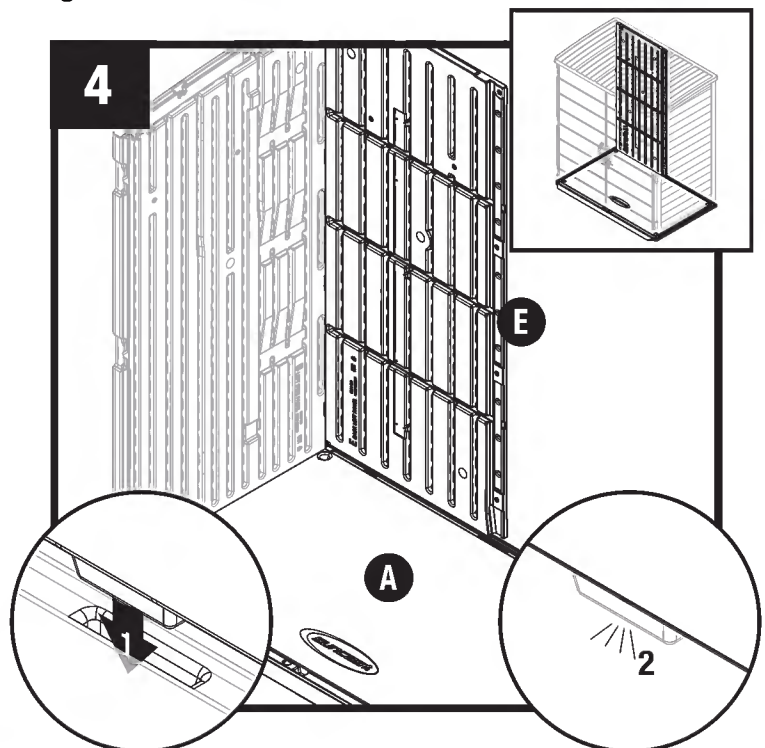


 Lock side panel (B) by sliding panel toward rear of floor panel (front corner tab will slide into position).

 **Note:** Use a rubber mallet to 'push' left side panel (B) into locked position.

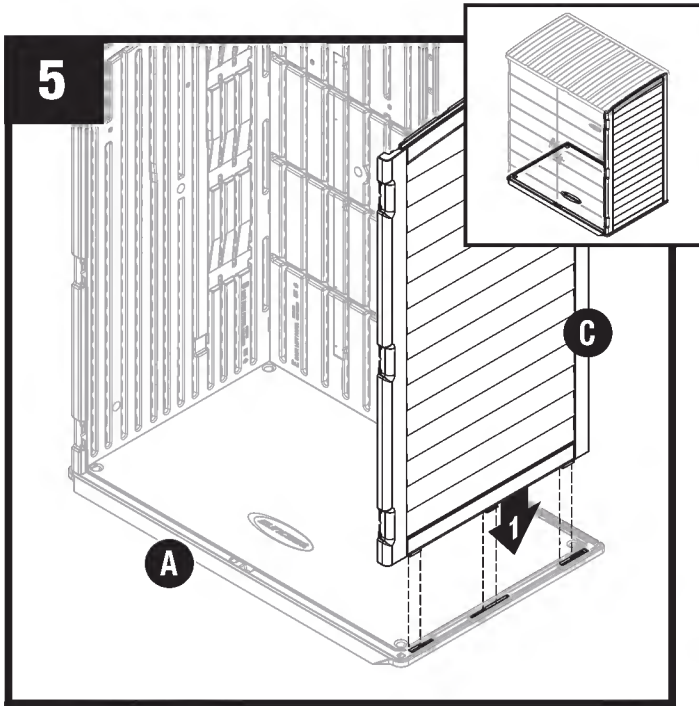



 Align tabs on side of left back panel (E) with slots on the left side panel (B). Slide back left panel down to lock tabs into left side panel.

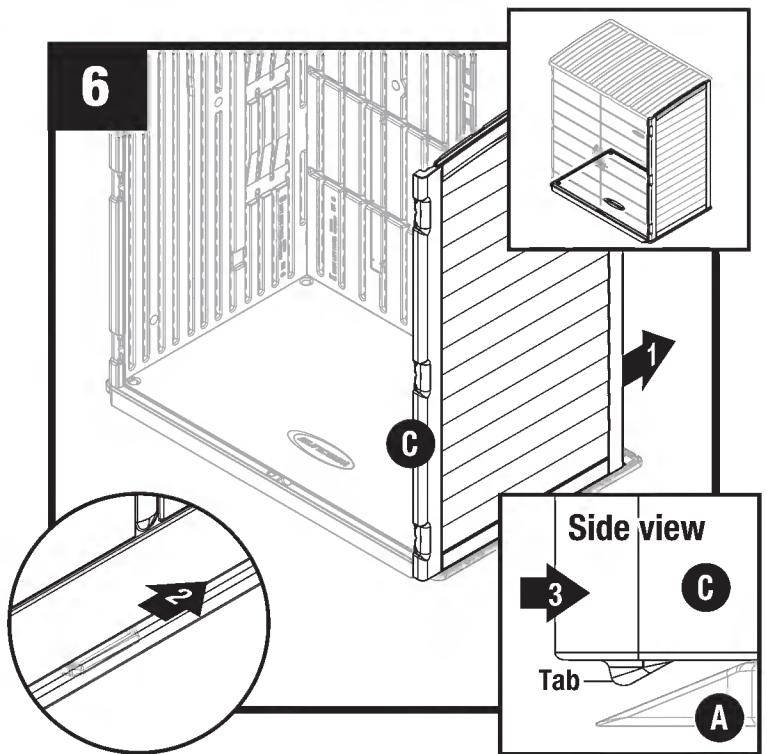



Lower the back left panel (E) tabs into the slots of floor (A). The back left panel tabs will 'snap' into place when in correct position.


## Assembly Walls (continued)

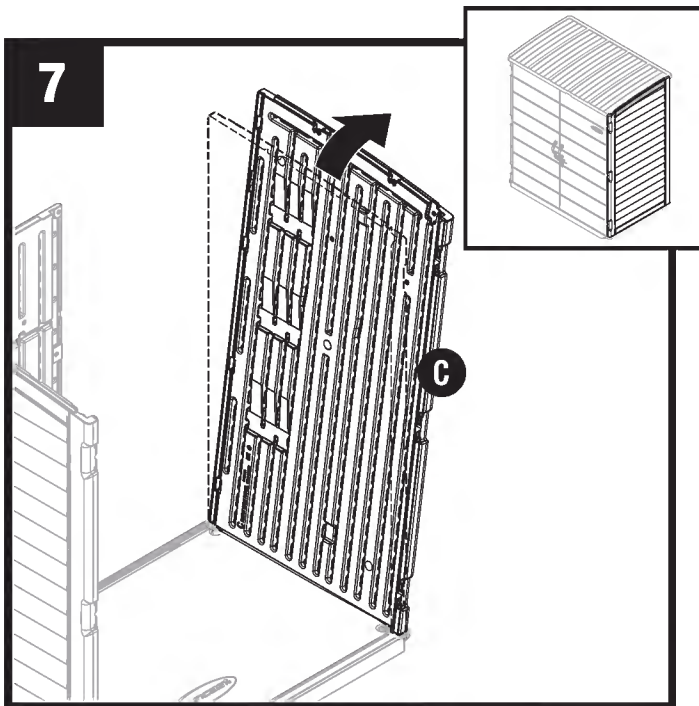


 Align tabs on bottom right side panel (C) with slots on floor (A). Lower panel into slots.

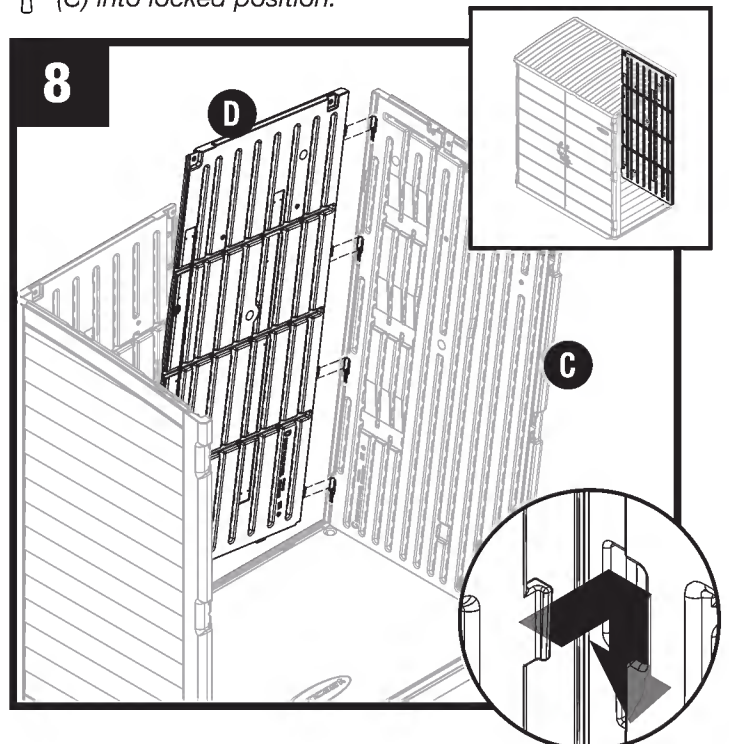



 Lock side panel (C) by sliding panel toward rear of floor panel (front corner tab will slide over floor and into position).

 **Note:** Use a rubber mallet to 'push' right side panel (C) into locked position.



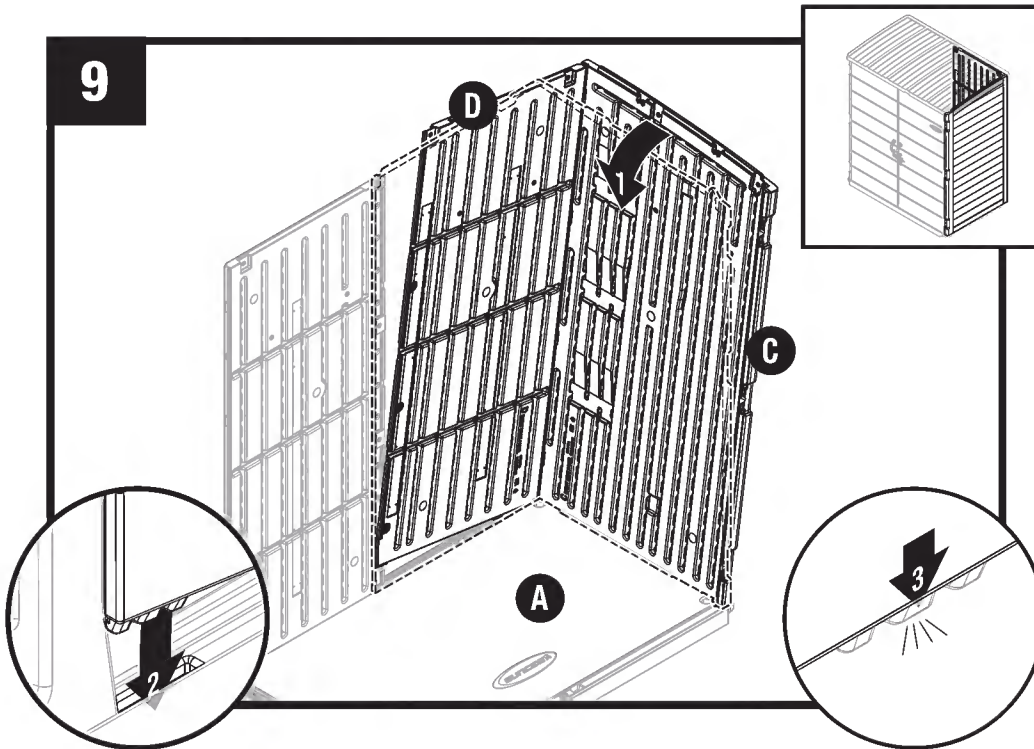
Tilt right panel (C) outward.



 At an angle, align tabs on side of right back panel (D) with slots on right side panel (C). Slide back right back panel in and down into right side panel to secure.

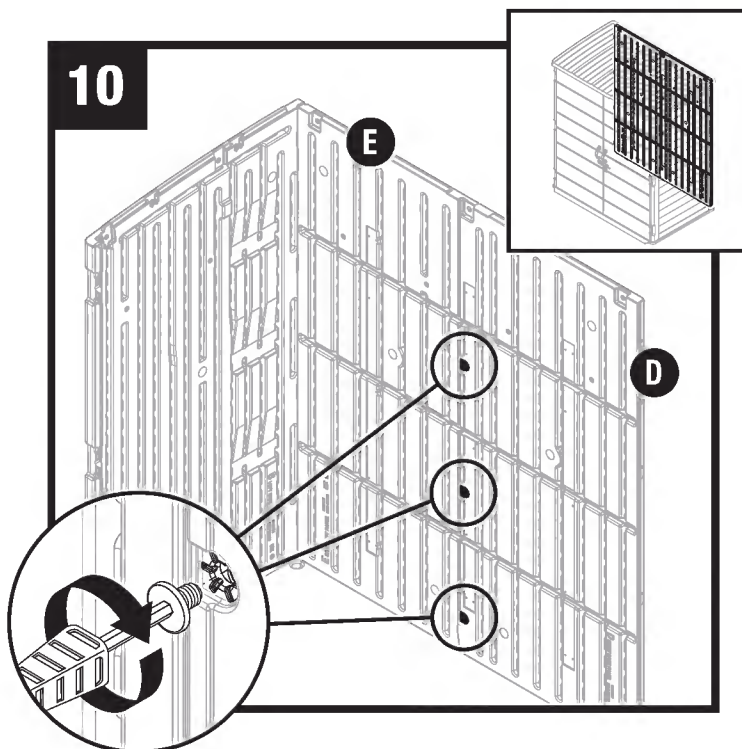


## Assembly Walls (continued)



Tilt right back panel (D) and right side panel (C) back into the upright position (lowering the back right panel tabs into the slots of floor (A)). The back right panel tabs will 'snap' into place when in correct position.

**Note:** Left side panel not shown for clarity.

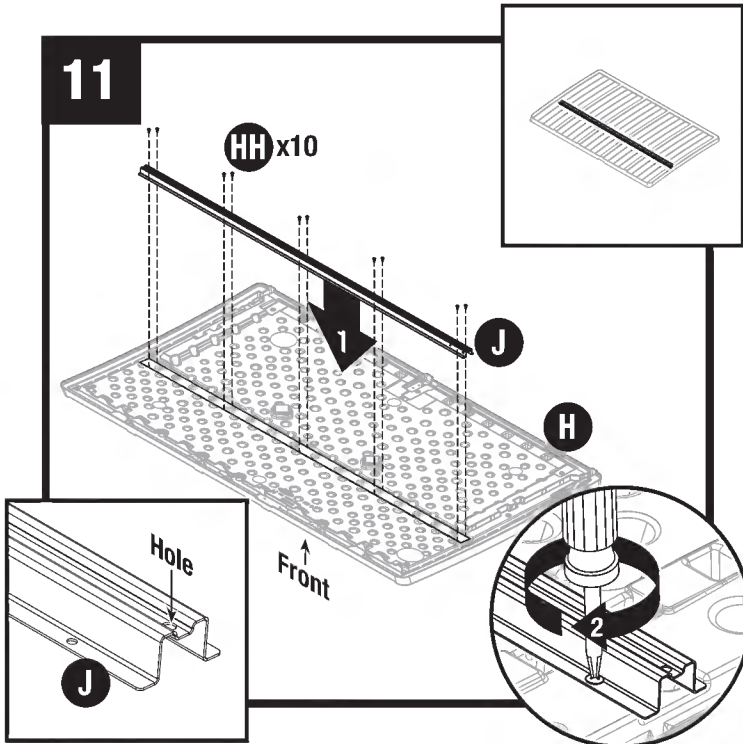


Secure back panels (E, D) together using three easy bolts (EE) and working from bottom to top. Use easy bolt easy driver (FF) to hand tighten. Easy bolt head will be flush when fully seated. **Do Not** over tighten easy bolts.

**Note:** Top easy bolt location will be installed in a later step.

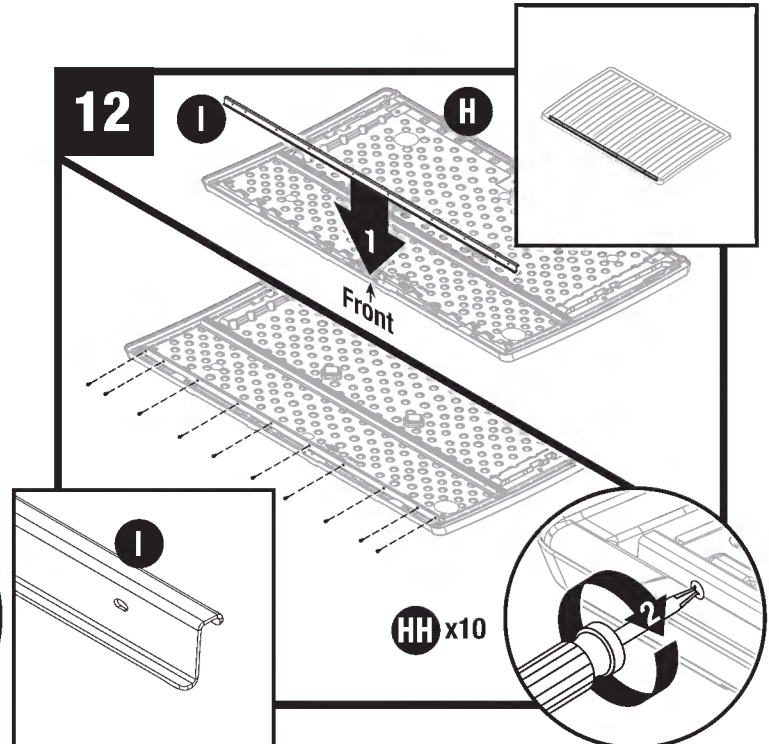
**Note:** Right side panel not shown for clarity. You may hear a 'click' when easy bolt has been tightened completely.

# Assembly-Roof



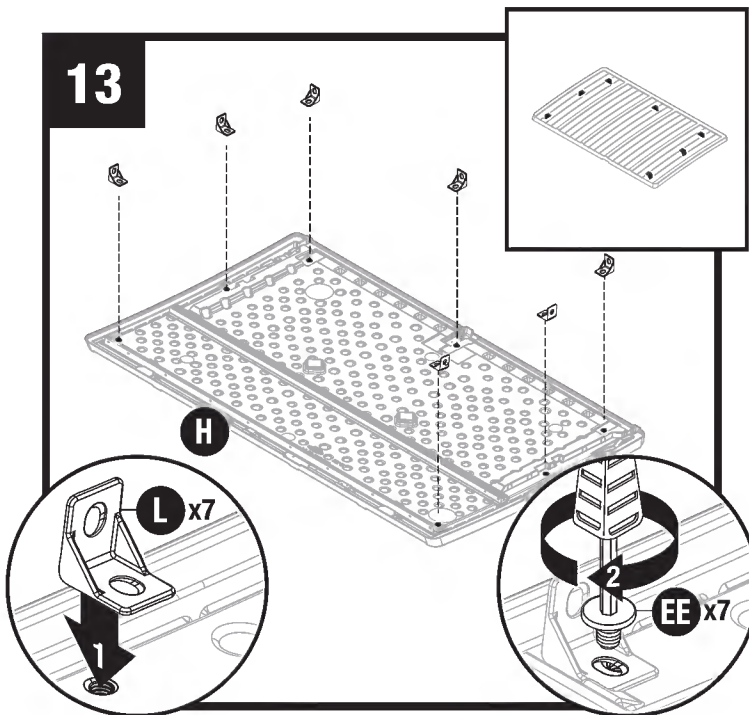
Place roof on flat surface and lower support bracket (J) into channel on under side of roof panel (H). Support bracket (J) top hole must be on the right side for proper orientation. Align holes in truss leg to rockets on roof panel. Attach bracket using ten screws (HH).

**Note:** Support bracket must be installed in orientation shown above. Roof will not fit if bracket is installed backwards.

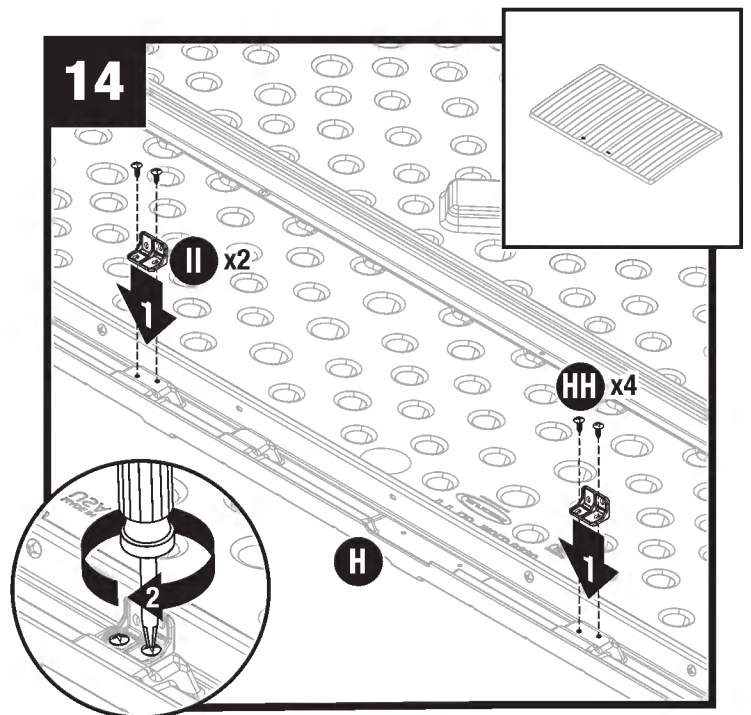


Lower S-rail (I) into position on roof (H). Attach using ten screws (HH). S-bracket (I) proper orientation is shown above.

**Note:** There are no pre-drilled holes on the roof. Use force when starting to drive self-tapping screws. Once the screw pierces the plastic, it will drive easier.



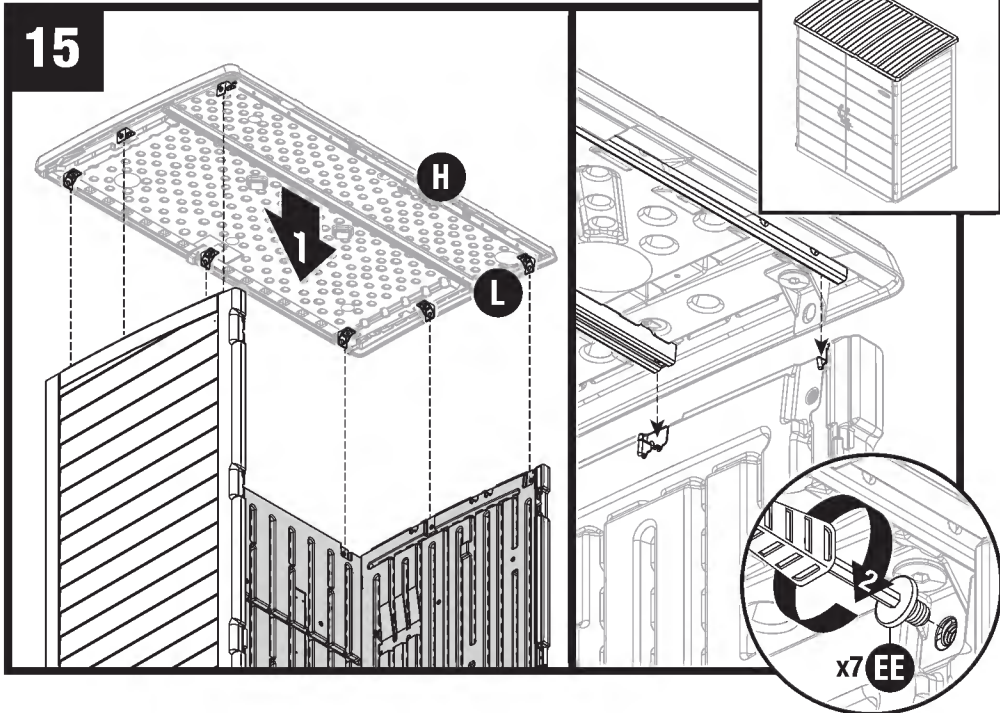
Lower roof bracket (L) into position on roof. Secure bracket with easy bolt. Use easy bolt easy driver (FF) to hand tighten. Easy bolt head will be flush when fully seated. **Do Not** over tighten easy bolts.




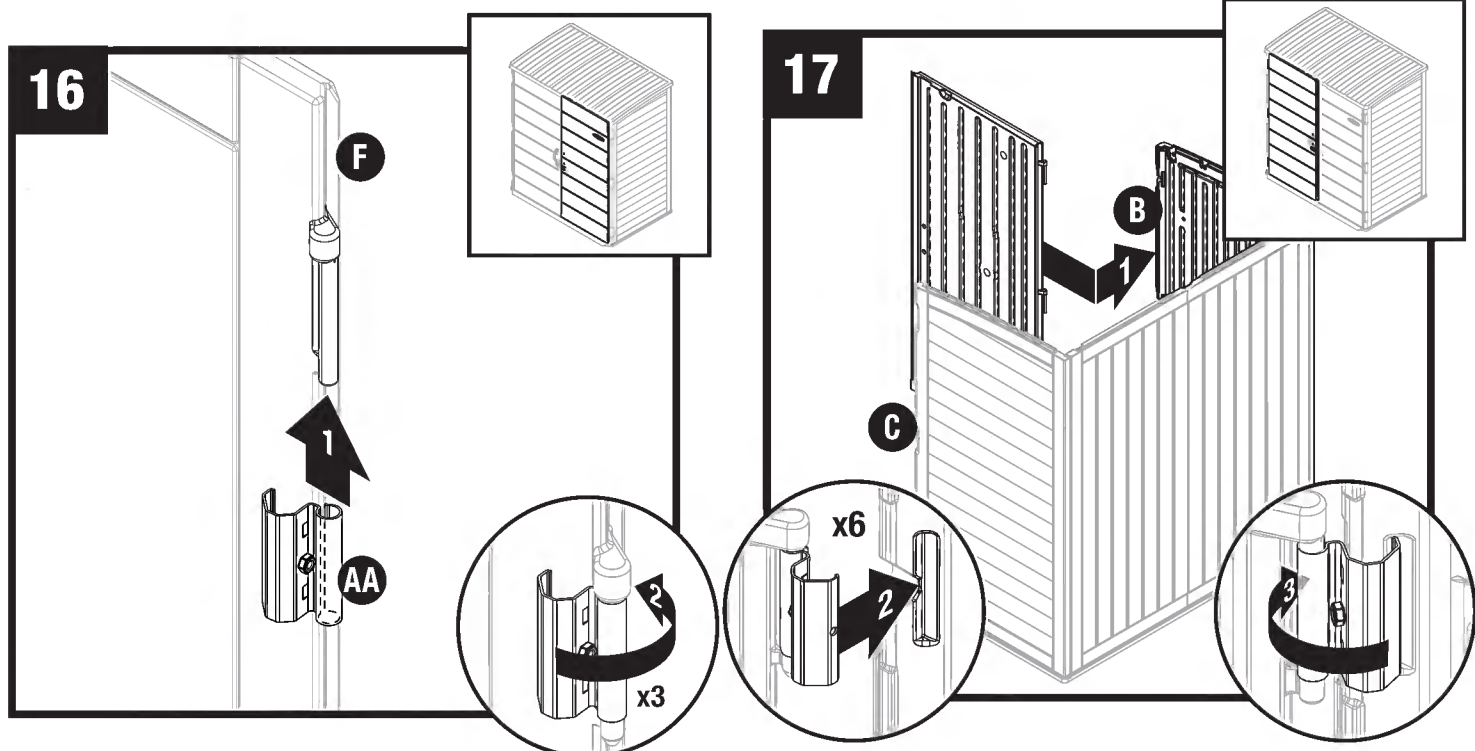
Attach door clip brackets (II) to bottom of roof panel (H) using two screws (HH).


**Note:** The vertical portion of the bracket must be oriented towards the inside of the shed.

# Assembly—Roof/Doors



 Lower roof panel (H) and line up roof brackets (L) with holes on walls. The truss legs and S-rail (pre-assembled to roof) will fit into notches in side panels (this helps to properly align roof properly). Secure bracket with seven easy bolts (EE). Use easy bolt easy driver (FF) to hand tighten. **Do Not** over-tighten easy bolts.

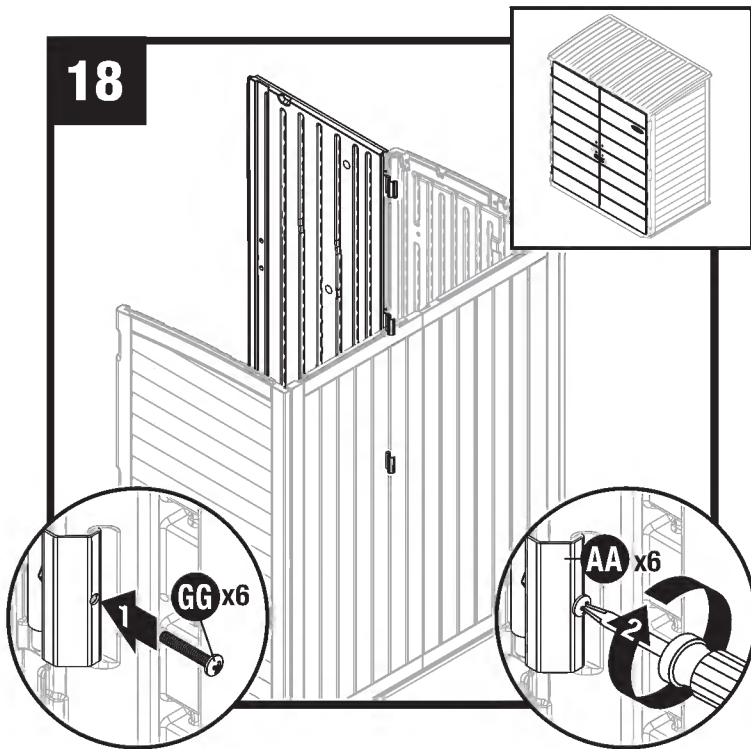


 Stand right door (F) upright with hinge mounts facing right. Slide one metal hinge plate (AA) onto each hinge mount. Rotate metal hinge plates to open position. Repeat for left door (G).

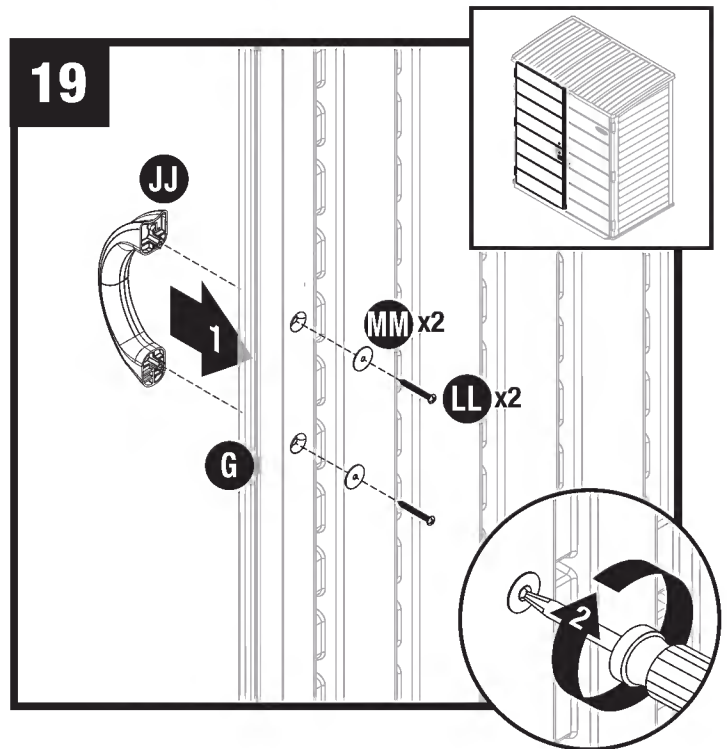
 Slide one metal hinge plate over each of the six hinge receptacles on inside of side panels (B) and (C).



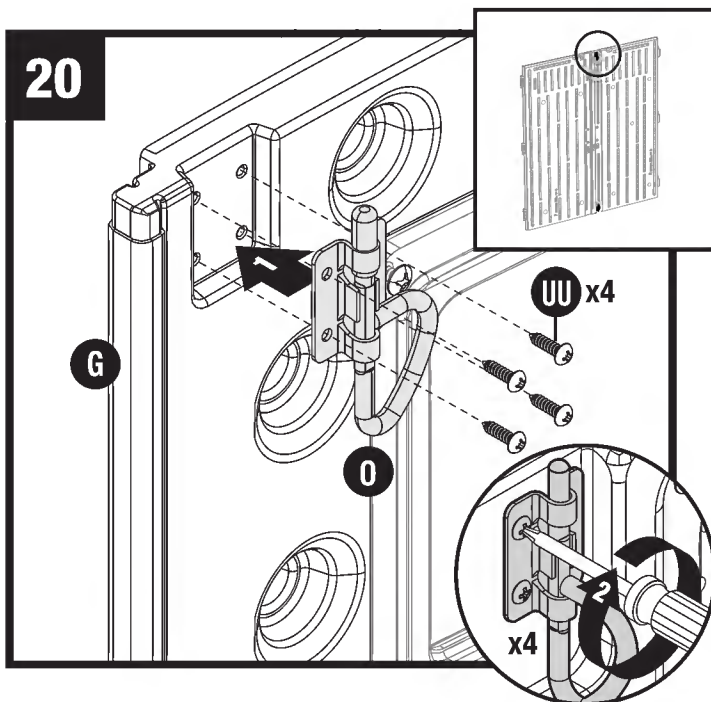
# Assembly-Doors



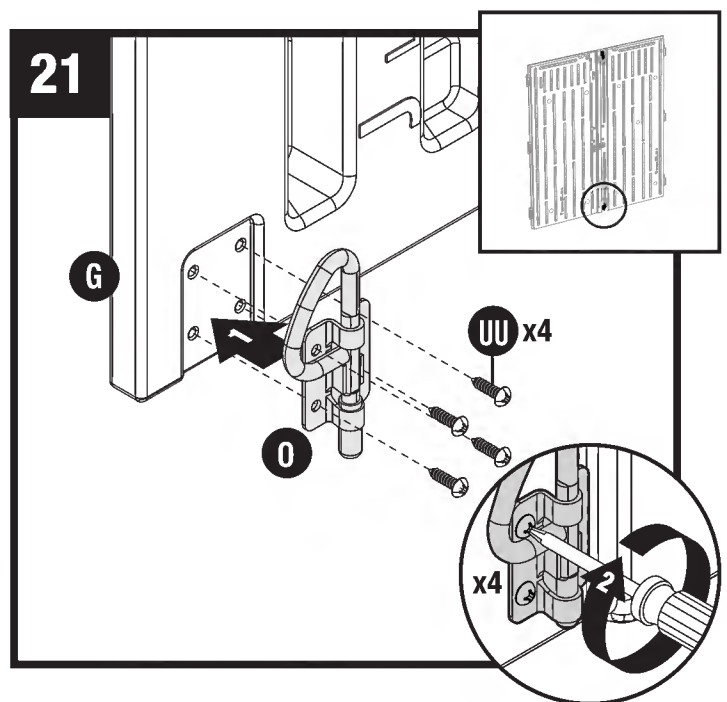
 Secure each door hinge (AA) with one screw (GG).



Attach left handle (JJ) to left door (G) using washers (MM) and screws (LL). Repeat for right door (F) and right door handle (KK).

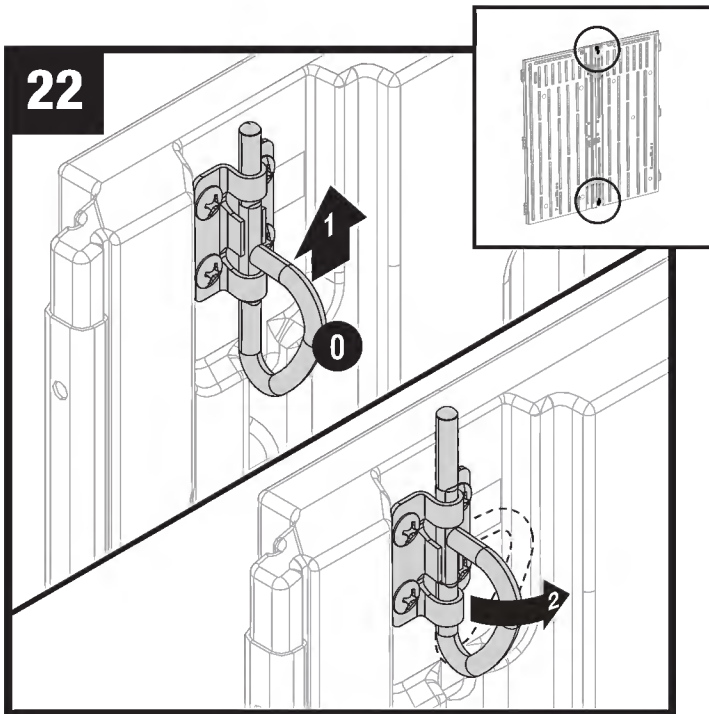


At top interior side of left door (G), attach D-ring slide bolt (O) with four screws (UU) through provided holes.

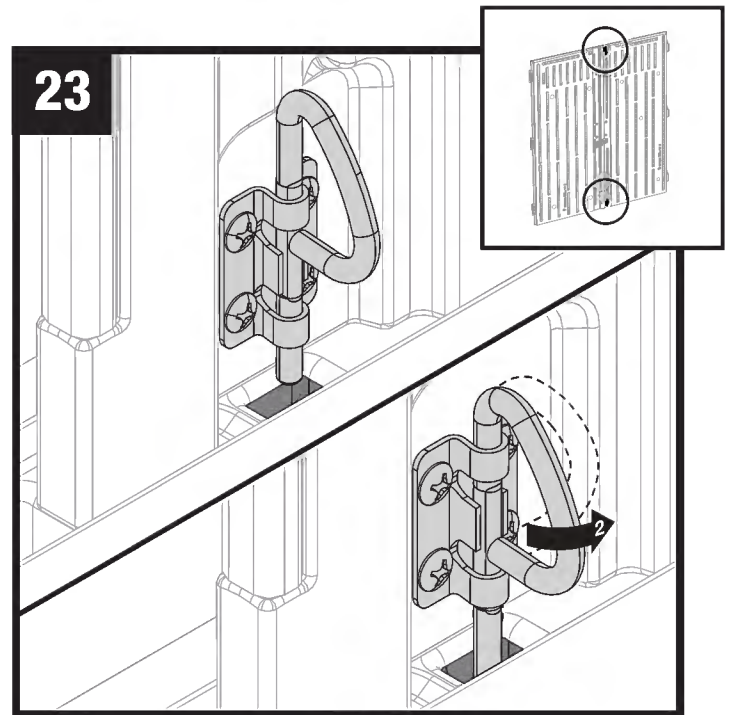


At bottom interior side of left door (G), attach D-ring slide bolt (O) with four screws (UU) through provided holes.

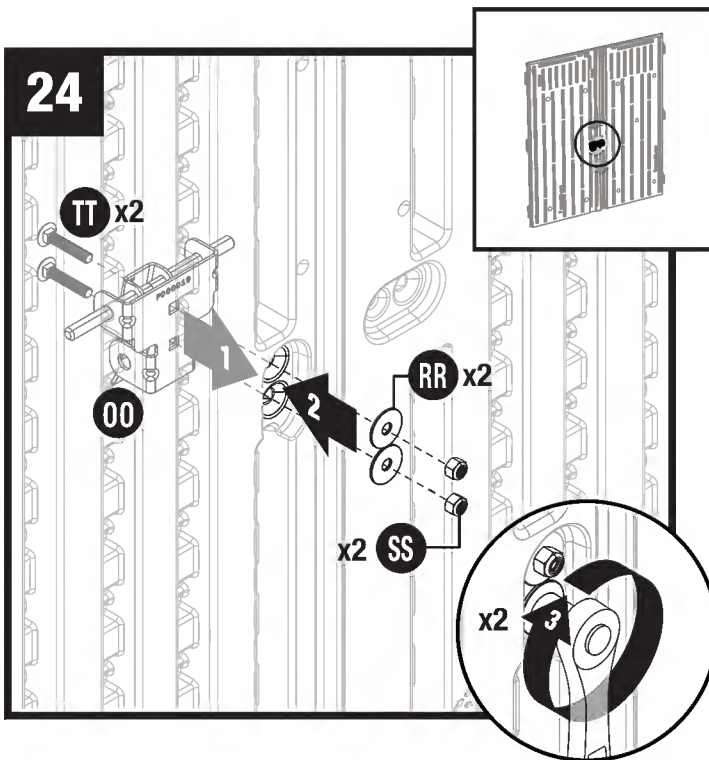
## Assembly Doors (continued)



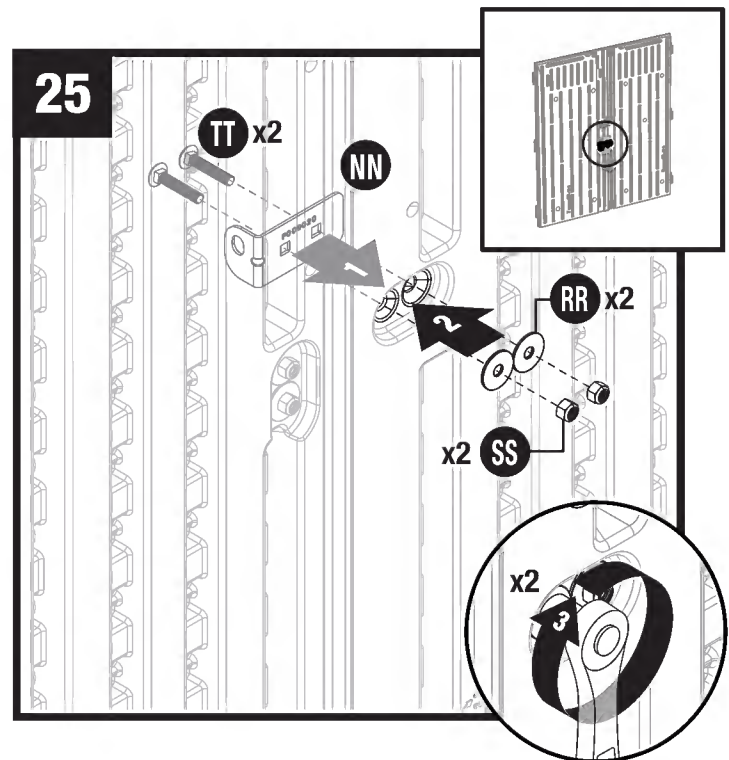
Lift upper D-ring (O) up to engage in front of Roof (H). Turn D-ring to right for locked position.



Push lower D-ring (O) down to engage with hole in floor. Turn D-ring to right for locked position.

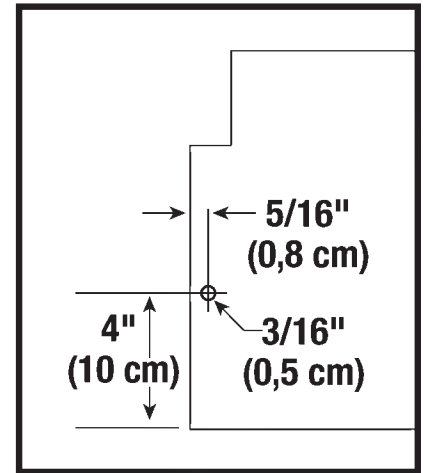
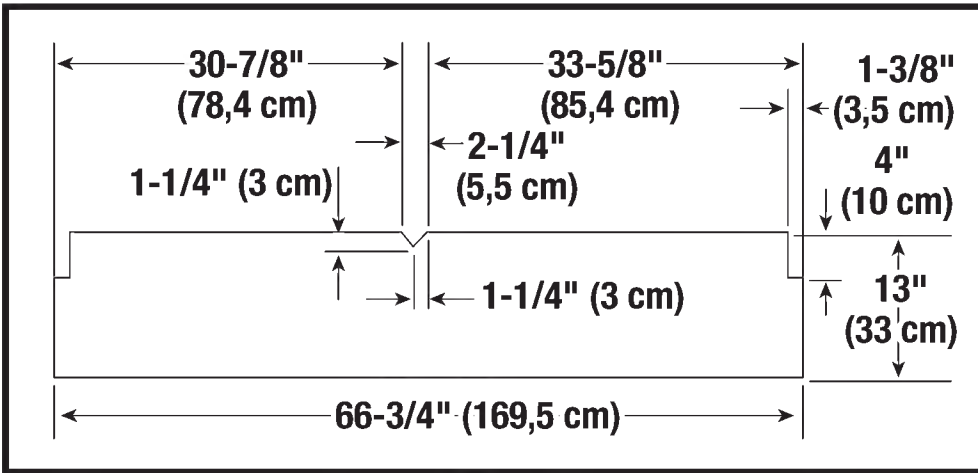


Insert two screws (TT) into door latch assembly (OO) and through right door. The screws will need to puncture through a thin layer of plastic to get through the door. While holding plate in place on exterior of door, secure each screw with two washers (RR) and two locking nuts (SS).

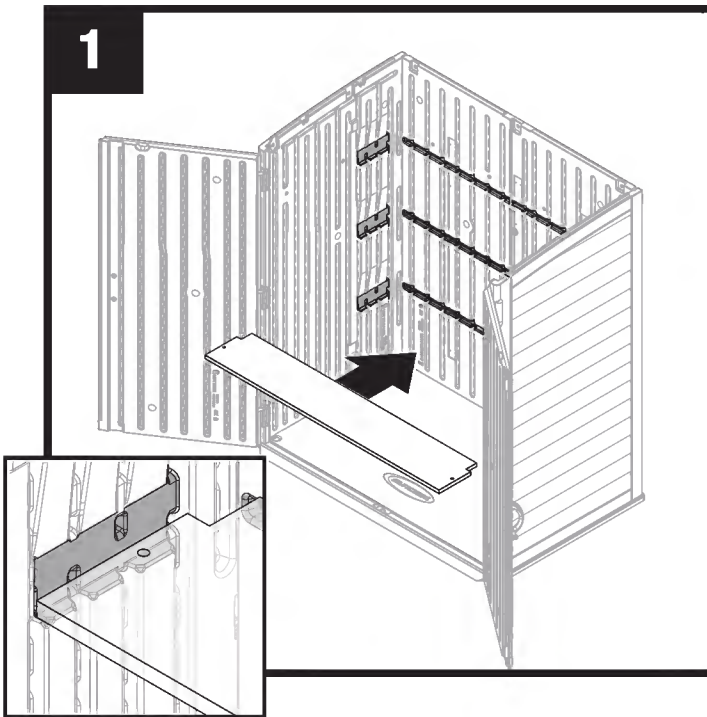


Insert screws (TT) into left latch plate (NN) and through left door. The screws will need to puncture through a thin layer of plastic to get through the door. While holding plate in place on exterior of door, secure each screw with two washers (RR) and two locking nuts (SS).

## Optional Interior Wood Shelf (materials not included)

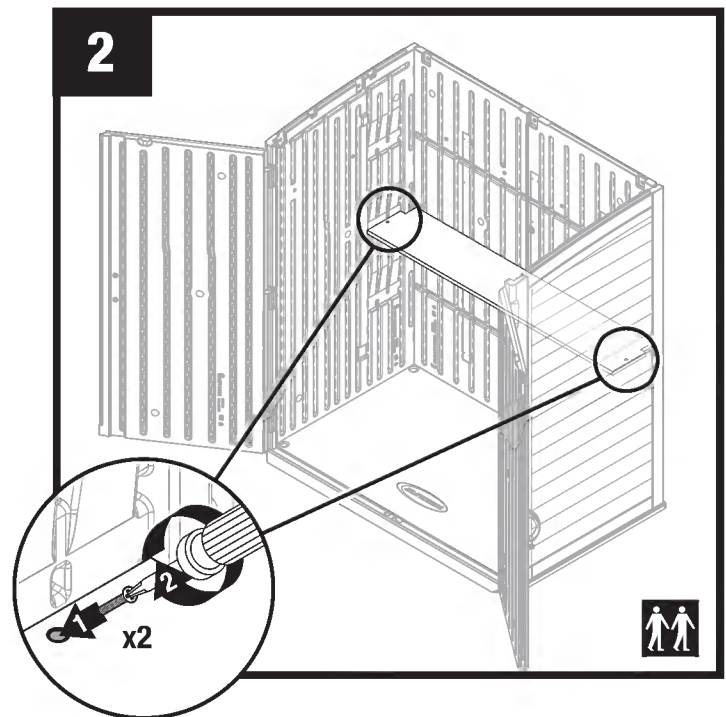


- Three optional wood shelves can be added to your storage shed.
- Cut shelves from  $\frac{3}{4}$ " thick wood using dimensions above.
- Drill one  $\frac{3}{16}$ " pilot hole on each side of shelf.



Place shelf into shed. Shelf must be completely seated into shelf supports on side and back panels.

Note: Roof not shown for clarity.




To secure shelf, insert one #8 x 1.25" drywall screw (not provided) through each pilot hole and into side panels.

Note: Press inward on side panels if needed to secure shelf fully seated into shelf supports on side and back panels.



## Avant de commencer...

- **Consultez les autorités locales pour tout permis nécessaire à la construction de la remise.**  
Avant de construire votre remise, vérifiez avec l'autorité locale en charge du respect du code du bâtiment s'il est nécessaire d'obtenir un permis ou s'il existe des restrictions de construction.
- **Des fondations à niveau et solides sont nécessaires avant que la construction de la remise ne puisse commencer.**  
Vous retrouverez les renseignements sur la préparation du site aux pages 9-10. Une fondation différente de ce qui est suggéré dans ce manuel pourrait avoir pour résultat un assemblage inadéquat et des pièces endommagées.
- **Lisez entièrement les instructions avant l'assemblage.**  
Cette trousse contient des pièces qui peuvent être endommagées si elles sont assemblées de manière incorrecte ou dans le mauvais ordre.
- **Veillez suivre les instructions.**  
Suncast ne peut être tenu responsable du remplacement des pièces endommagées ou perdues en raison d'un assemblage incorrect.
- **Vous aurez besoin d'aide pendant toute la durée de l'assemblage.** 

## **IMPORTANT**

OUVRIRE TOUTES LES BOÎTES EN PREMIER ET ÉTALER LES PIÈCES DE MANIÈRE ORDONNÉE. LES BOÎTES PEUVENT CONTENIR DES PETITES PIÈCES. CONSULTER LA LISTE DES PIÈCES COMPRISE AVEC LE MANUEL POUR S'ASSURER QU'IL NE MANQUE AUCUNE PIÈCE.

**TERMINEZ LA PRÉPARATION DU TERRAIN ET LA CONSTRUCTION DES FONDATIONS AVANT DE DÉBALLER LES PIÈCES.**



## ATTENTION

- Il est nécessaire que le terrain soit correctement préparé.
- La remise n'est pas prévue pour une utilisation dans des conditions climatiques extrêmes.
- La remise n'est pas prévue pour l'entreposage de produits chimiques inflammables ou corrosifs.
- Les produits lourds doivent être entreposés dans le fond de la remise.
- La remise n'est pas prévue pour être utilisée par des enfants.
- **NE PAS** se mettre debout, s'asseoir ou entreposer des produits sur le toit de la remise.
- Prendre les précautions nécessaires dans des températures extrêmes.
- Réparer ou remplacer les pièces cassées immédiatement.
- Suncast ne peut être tenu responsable des dommages causés par les conditions climatiques ou une mauvaise utilisation.
- Inspecter la remise à intervalles réguliers pour vérifier que l'intégrité de l'assemblage a été maintenue.
- Vérifier périodiquement que l'emplacement choisi pour installer la remise est toujours à niveau.
- Cette trousse contient des pièces avec des bords métalliques. Faites attention lorsque vous les manipulez.



## Sécurité et entretien de la remise

- Les éléments chauds récemment utilisés, tels que les grils, les chalumeaux, etc., ne doivent pas être entreposés dans la remise.
- Les produits lourds ne doivent pas être posés contre les parois, car ils peuvent déformer et endommager définitivement les panneaux.
- Enlevez la neige et les feuilles du toit.
- La partie extérieure des parois et des panneaux du toit de la remise est texturée, tel un bardage en vinyle. Au fil du temps, la poussière peut s'accumuler dans la texture. Associée à l'humidité, elle peut favoriser la prolifération de mousse ou de moisissure dans la remise. Pour préserver l'aspect de votre remise, nous vous recommandons de la nettoyer chaque année avec du savon doux et de l'eau. **N'UTILISEZ PAS** de javel, d'ammoniaque ou d'autres produits nettoyants corrosifs et **N'UTILISEZ PAS** de brosses à poils durs. Le non-respect du nettoyage annuel peut entraîner des taches permanentes dans le plastique. Il ne s'agit pas d'un défaut de fabrication, cela n'est donc pas couvert par la garantie.

## Conseils pour le jour de l'assemblage

- Terminez la préparation du terrain et la construction des fondations avant de déballer les pièces et de commencer l'assemblage.
- **NE TENTEZ PAS** l'assemblage par un jour de grand vent.
- **NE TENTEZ PAS** l'assemblage les jours où la température est en dessous de 32 degrés.
- Prévoyez suffisamment de temps pour assembler entièrement la remise.
- Assurez-vous d'avoir de l'aide à portée de main pour soulever et fixer les pièces.
- Portez des gants de travail légers pendant l'assemblage de la remise.
- Une fois le toit assemblé, une lampe torche peut être utile pour assembler les composants plus petits à l'intérieur de la remise.
- **N'UTILISEZ PAS** de perceuse à main pour serrer les boulons Easy. Utilisez l'outil Easy Bolt Driver (fourni) **UNIQUEMENT**.
- Suncast fournit des petites attaches supplémentaires pour le confort du client. Dans certains cas, il en restera une fois l'assemblage terminé.

**Remarque :** ce produit contient des pièces qui sont utilisées dans différents sens lors de la construction de la remise. Veuillez faire attention à l'orientation des pièces indiquées dans ce manuel d'instructions. Vous pouvez endommager les pièces si vous ne suivez pas ces instructions. Suncast ne peut être tenu responsable du remplacement des pièces endommagées ou perdues en raison d'un assemblage incorrect.



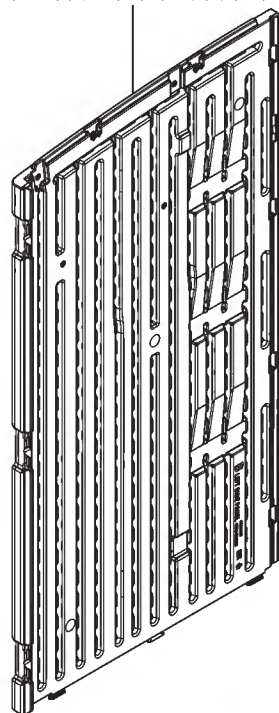
## **IMPORTANT**

OUVRIR TOUTES LES BOÎTES EN PREMIER ET ÉTALER LES PIÈCES DE MANIÈRE ORDONNÉE. LES BOÎTES PEUVENT CONTENIR DES PETITES PIÈCES. CONSULTER LA LISTE DES PIÈCES COMPRISE AVEC LE MANUEL POUR S'ASSURER QU'IL NE MANQUE AUCUNE PIÈCE.

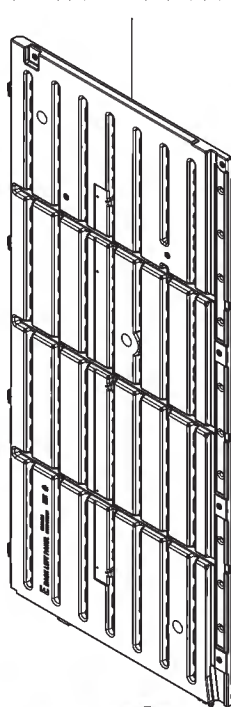
TERMINEZ LA PRÉPARATION DU TERRAIN ET LA CONSTRUCTION DES FONDATIONS AVANT DE DÉBALLER LES PIÈCES.

## **Pièces - Mur et sol**

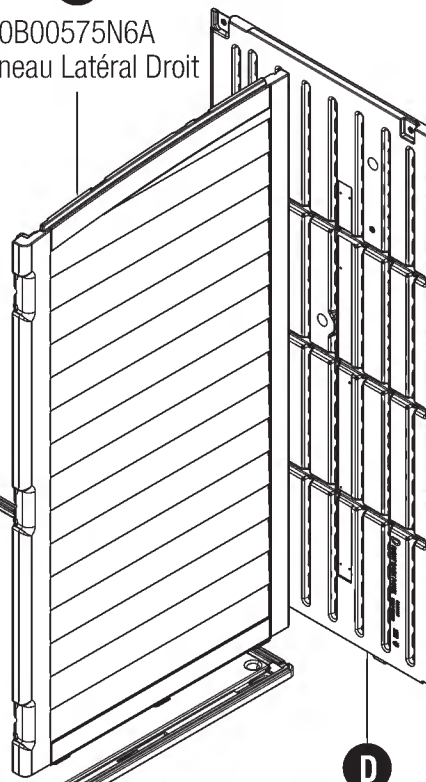
**B**  
OB00576N6A  
Panneau Latéral Gauche



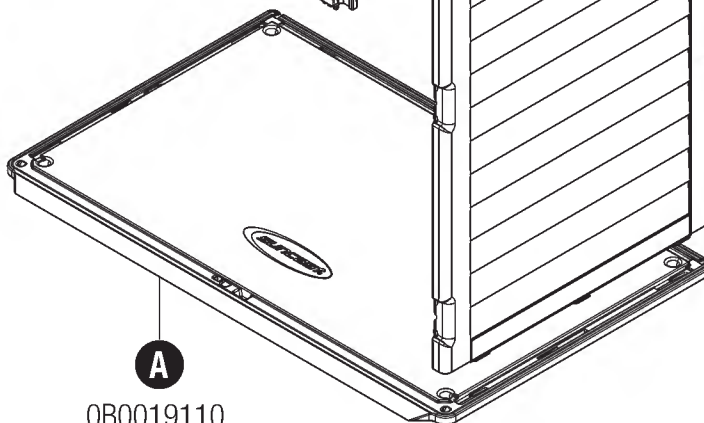
**E**  
OB00496N6A  
Panneau Arrière Gauche



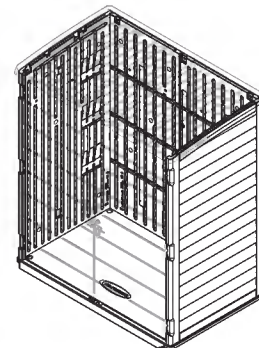
**C**  
OB00575N6A  
Panneau Latéral Droit



**A**  
OB0019110  
Plancher



**D**  
OB00495N6A  
Panneau Arrière Droit

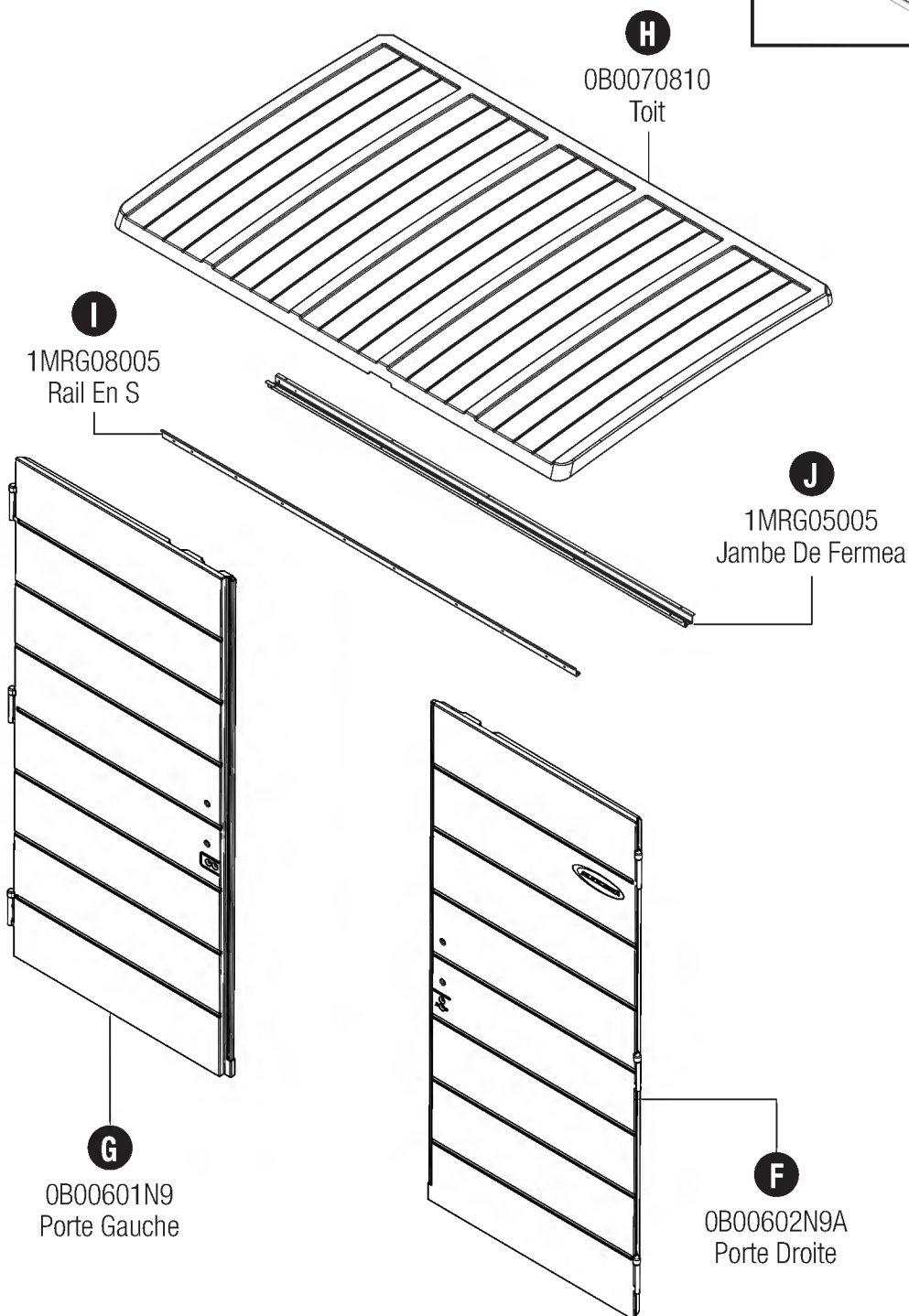
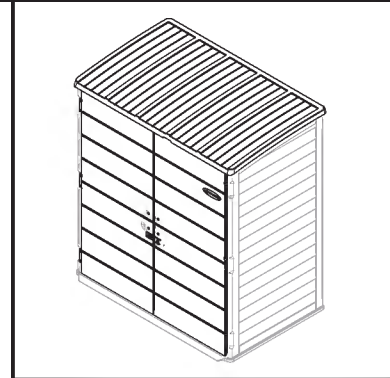


# Pièces - Toit et portes

## **IMPORTANT**

OUVRIER TOUTES LES BOÎTES EN PREMIER ET ÉTALER LES PIÈCES DE MANIÈRE ORDONNÉE. LES BOÎTES PEUVENT CONTENIR DES PETITES PIÈCES. CONSULTER LA LISTE DES PIÈCES COMPRISE AVEC LE MANUEL POUR S'ASSURER QU'IL NE MANQUE AUCUNE PIÈCE.

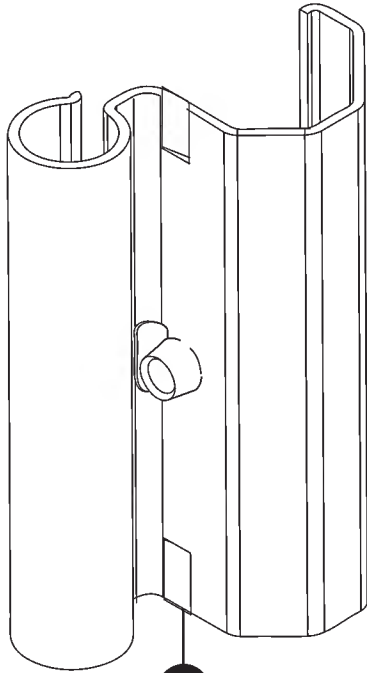
TERMINEZ LA PRÉPARATION DU TERRAIN ET LA CONSTRUCTION DES FONDATIONS AVANT DE DÉBALLER LES PIÈCES.





# Pièces - Quincaillerie

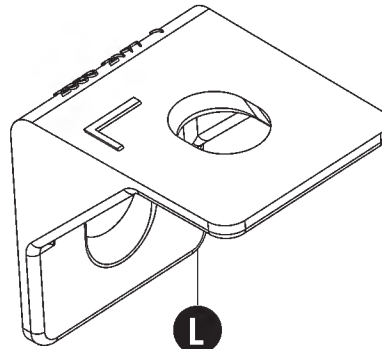
## 0860108 - Ensemble de Charnière



**AA**

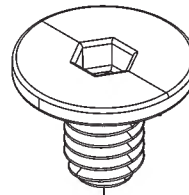
OMP000022  
Plaque de Charnière en Métal  
x6

## Sac de Quincaillerie



**L**

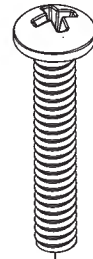
0102197N6  
Support de Toit  
x7



**EE**

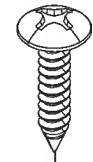
Boulon Facile 7/8"  
x17

## 0480524 - Sac de Quincaillerie



**GG**

0631017  
0,6 cm - 20 x 3, 8 cm  
Vis de Mécanique  
x7



**HH**

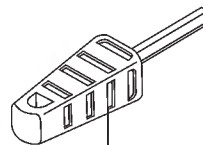
0631149  
#10 x 1,9 cm  
Vis à Tête Bombée  
x28

## 0480452 - Sac de Quincaillerie



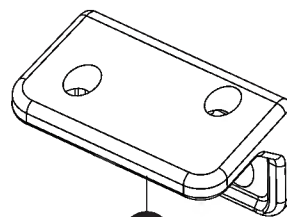
**UU**

0210180  
#8 x 1,6 cm Vis  
x9



**FF**

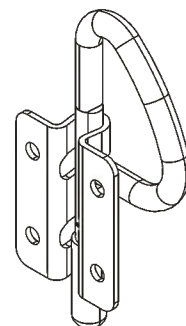
010210410  
Tournevis Pour Boulon Facile



**II**

0102721  
Support de Clip de Porte  
x2

## 0440631 - Sac de Quincaillerie



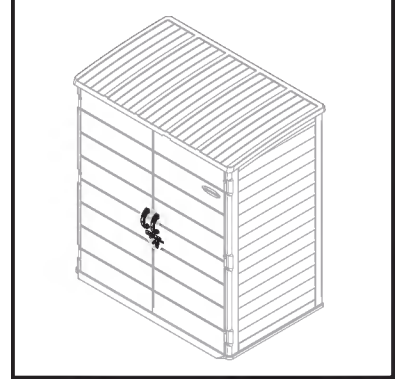
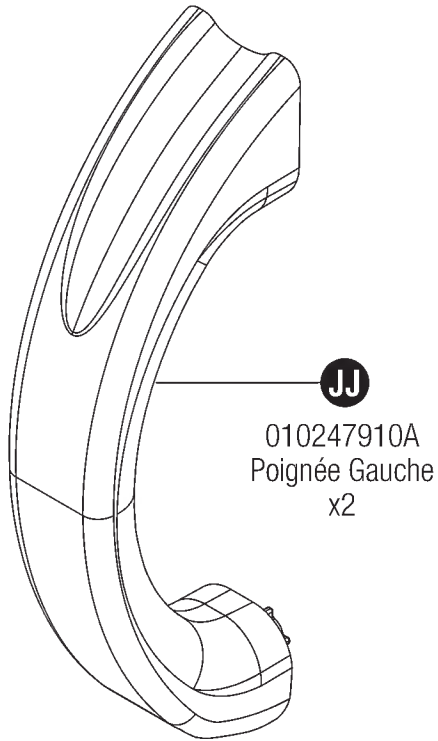
**O**

0280384  
Verrou en D  
x2

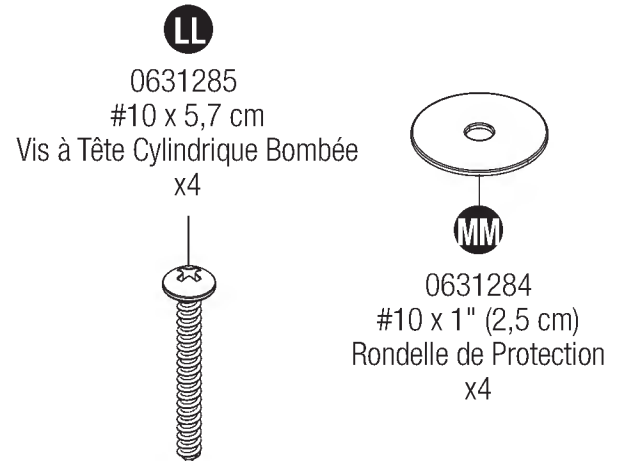
Quincaillerie supplémentaire fournie.  
Pas toute la quincaillerie sera utilisée.

# Pièces - Pièces pour trousse de poignée de porte

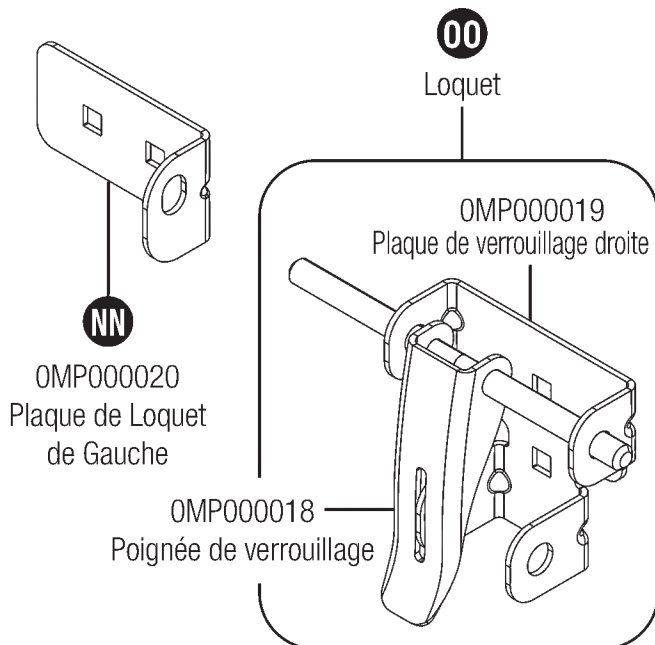
## 0464523 - Trousse de poignée de porte



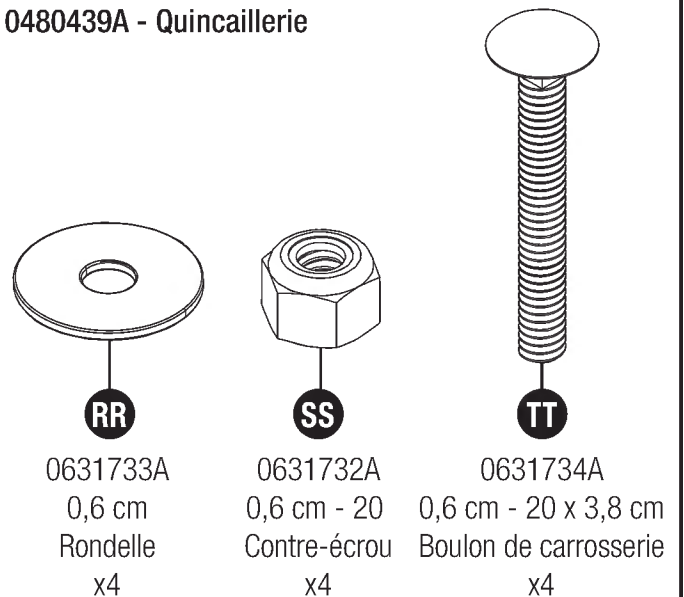
## 0480370 - Quincaillerie



## 0464504 - Ensemble de loquet



## 0480439A - Quincaillerie



# Préparation du site et construction de la plate-forme

Matériel NON fourni avec la trousse de la remise

**Remarque :** La préparation du site est requise pour cette remise. La mise en place de la remise sur une fondation construite est nécessaire. Sans une fondation construite, la sédimentation se produira probablement, provoquant une distorsion et des dommages à la remise. Le fabricant n'est pas responsable du remplacement des pièces endommagées ou des biens perdus en raison d'un assemblage incorrect. La garantie nécessite une fondation.

**Remarque :** Terminez la préparation du site et la construction des fondations avant de déballer les pièces et de commencer l'assemblage.

## Pour préparer votre site, suivez les étapes ci-dessous:

- 1 Consultez vos autorités locales pour connaître les codes de construction et les engagements avant de commencer la fondation ou la construction de la remise.
- 2 Avant de creuser, vérifiez auprès des services publics locaux pour déterminer l'emplacement des câbles enterrés, des tuyaux, etc.
- 3 Décidez du type de fondation que vous souhaitez :
  - Dalle de béton de 4 po (10 cm) d'épaisseur

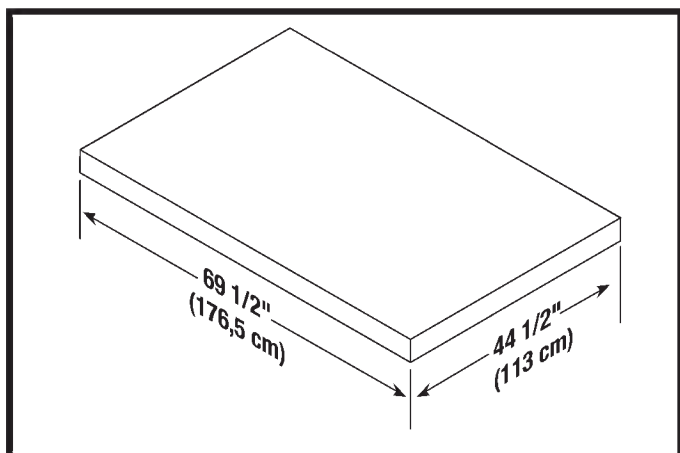
**OR**

- Plate-forme en bois

Utilisez du bois de qualité extérieure. La plate-forme en bois doit être placée sur des blocs ou des semelles. Consultez votre revendeur local pour obtenir de l'aide afin de déterminer la meilleure méthode d'ancrage pour votre installation particulière. Les plans fournis tiennent compte du nombre minimum de coupes de bois et de contreplaqué.

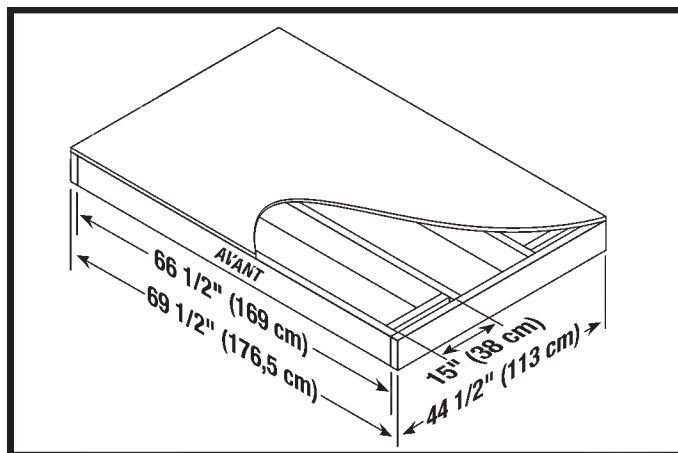
- 4 Préparez le site :
  - Le sol doit s'incliner loin de la zone de fondation pour assurer le drainage.
  - La surface de la fondation doit être plate et nivelée.
  - Un pare-vapeur doit être prévu pour empêcher une condensation excessive dans la remise.
  - Suivez les codes de construction locaux pour un pare-vapeur adéquat.
- 5 Ancrez la remise à la fondation:
  - Consultez votre revendeur local pour obtenir de l'aide afin de déterminer la meilleure méthode d'ancrage pour votre installation particulière.
  - Pour fixer la remise à une dalle de béton, utilisez quatre (4) boulons d'ancrage de 3/8 po (1 cm) et quatre (4) rondelles plates de 3/8 po x 1 po (1 cm x 2,5 cm).
  - Pour fixer la remise à une plate-forme en bois, utilisez des tirefonds de 3/8 po (1 cm) et des rondelles plates de 3/8 po x 1 po (1 cm x 2,5 cm).

## Ancrage du panneau de plancher à la dalle de béton



- Fixez la remise à la dalle de béton en utilisant des attaches de maçonnerie.
- Les dimensions permettent à la remise de s'installer dans le 1 po (2,5 cm) le plus proche de chaque côté.

## Ancrage du panneau de plancher à la plate-forme en bois

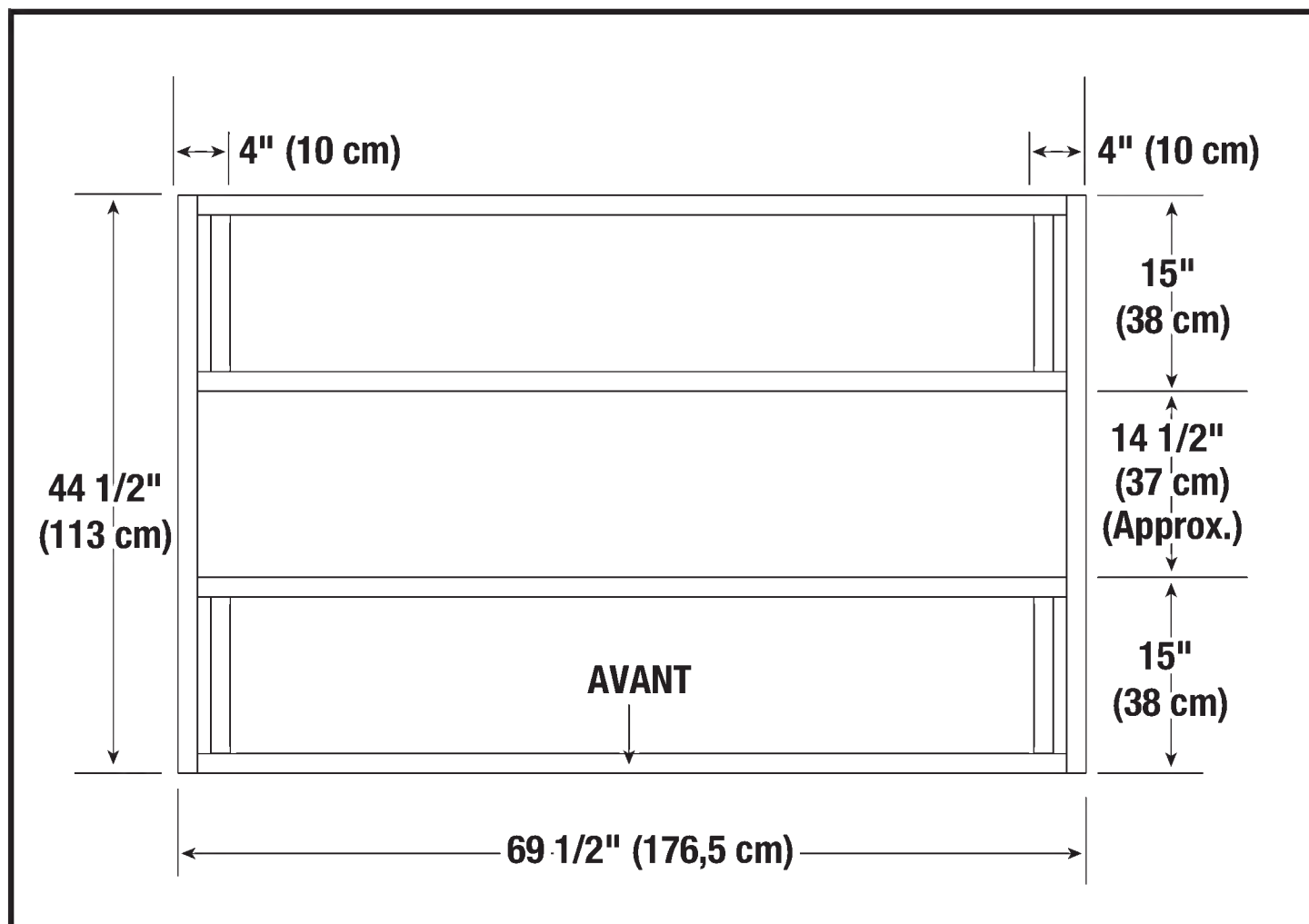


- Fixez la remise à la plate-forme en bois à l'aide des tirefonds de 1/4 po x 3 po (0,6 cm x 7,6 cm).

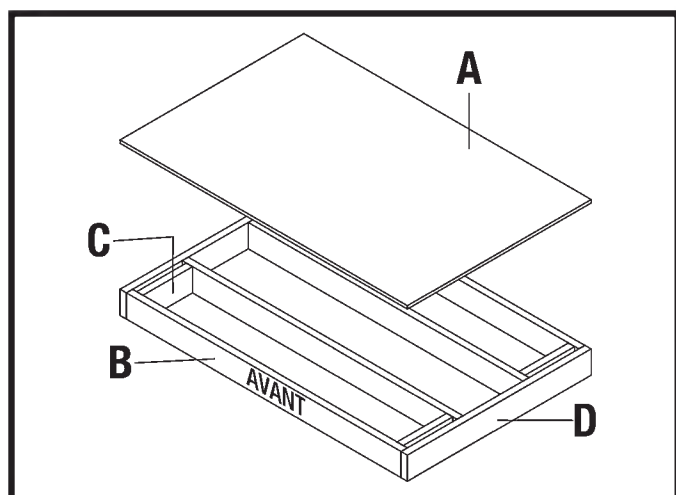
# Préparation du site et construction de la plate-forme

Matériel NON fourni avec la trousse de la remise

## Espacement critique de la plate-forme en bois



- Vérifiez toutes les mesures d'espacement critiques.

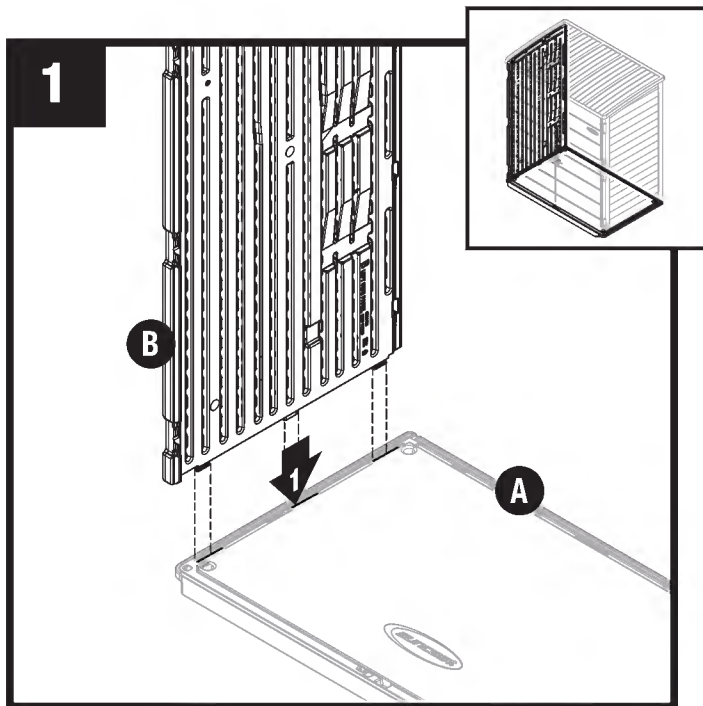



## Liste des matériaux de la plate-forme en bois

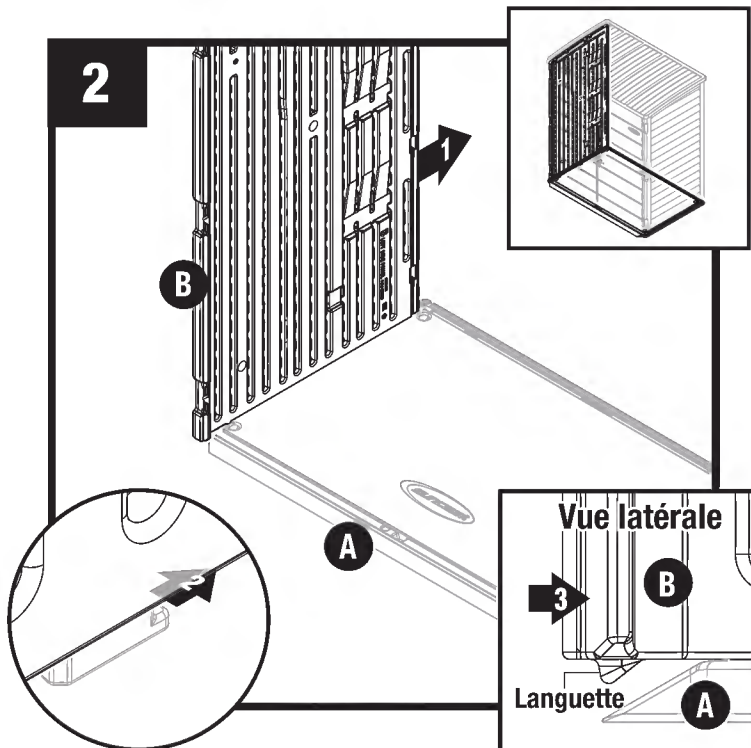
Item	Qty	Size
A	1	44 1/2 po x 69 1/2 po x 3/4 po 113 cm x 176,5 cm x 1,9 cm
B	4	2 po x 6 po x 66 1/2 po 5 cm x 15,2 cm x 168,9 cm
C	4	2 po x 6 po x 12 po 5 cm x 15,2 cm x 30,5 cm
D	2	2 po x 6 po x 44 1/2 po 5 cm x 15,2 cm x 113 cm


**Remarque :** Le bois dimensionnel est en réalité 1/2 po (1,3 cm) plus petit que les tailles notées.


# Assemblage – Murs

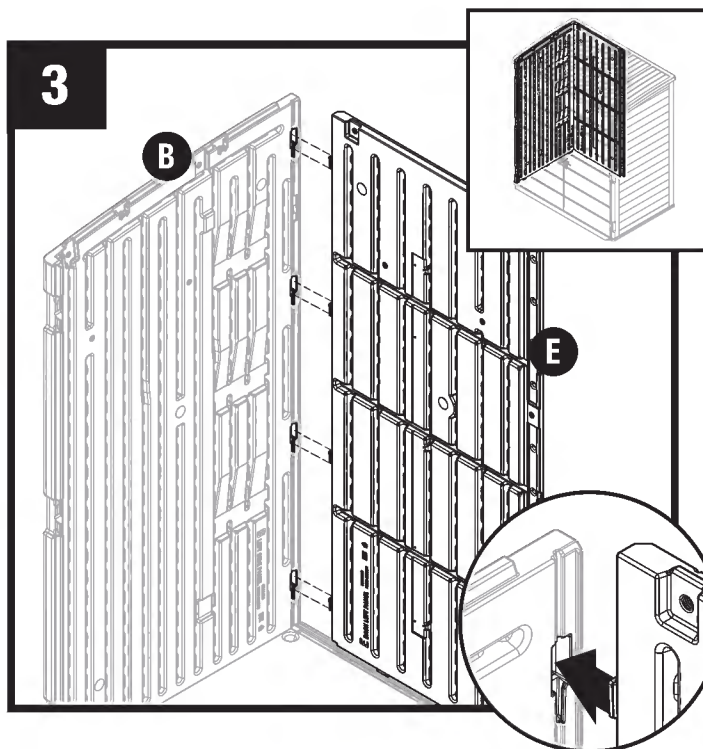



 Alignez les languettes du panneau latéral inférieur gauche (B) avec les fentes du plancher (A). Abaissez le panneau dans les fentes.

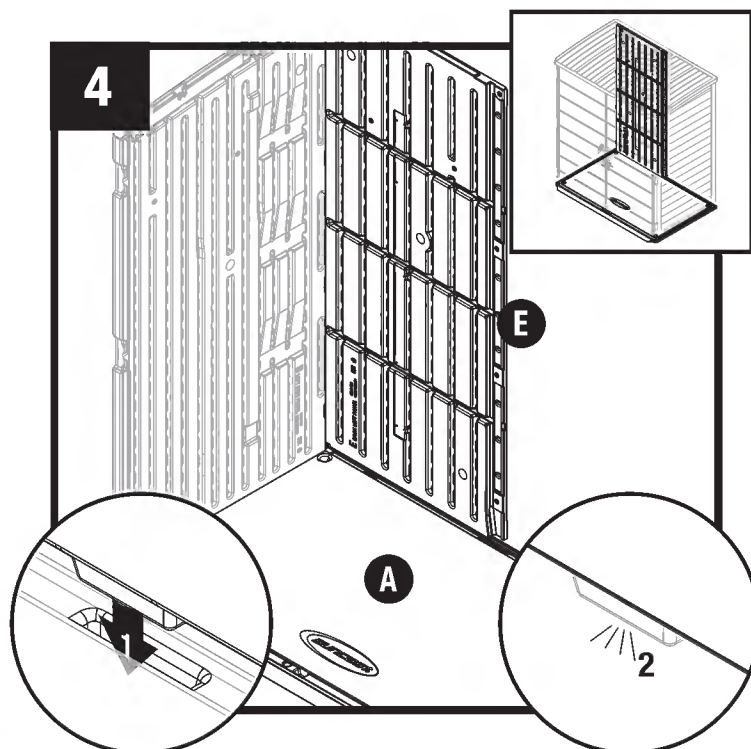


 Verrouillez le panneau latéral (B) en faisant glisser le panneau vers l'arrière du panneau de plancher (la languette d'angle avant glissera en position).

 **Remarque :** Utilisez un maillet en caoutchouc pour « pousser » le panneau latéral gauche (B) en position verrouillée.



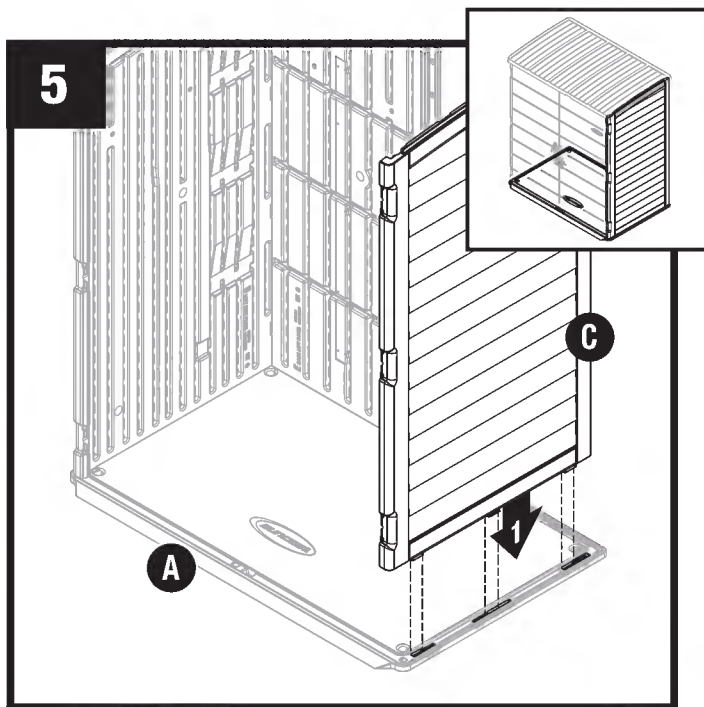
 Alignez les languettes sur le côté du panneau arrière gauche (E) avec les fentes du panneau latéral gauche (B). Faites glisser le panneau arrière gauche vers le panneau latéral gauche.




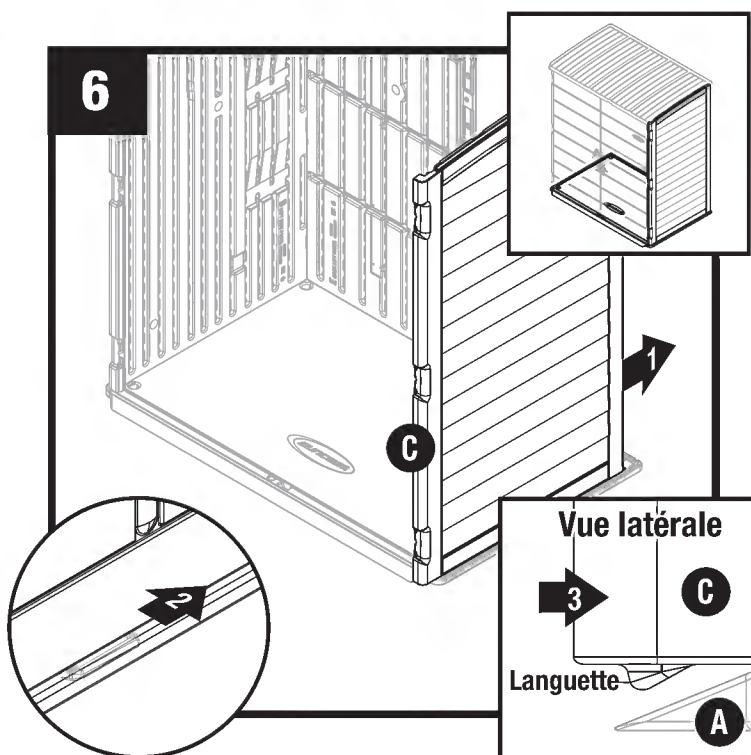
Abaissez les languettes du panneau arrière gauche (E) dans les fentes du plancher (A). Les onglets du panneau arrière gauche « s'enclencheront » en place lorsqu'ils seront correctement positionnés.





## Assemblage – Murs (a continué)

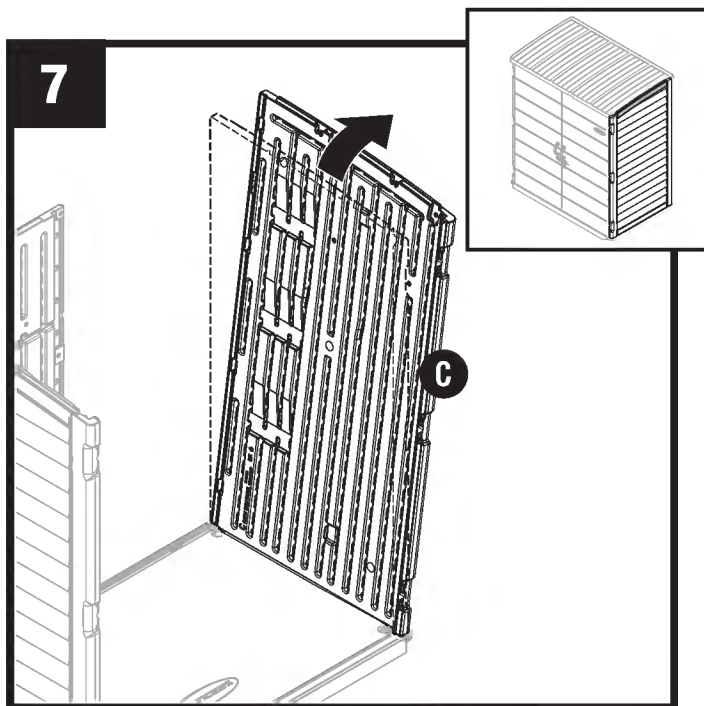


 Alignez les languettes du panneau latéral inférieur droit (C) avec les fentes du plancher (A). Abaissez le panneau dans les fentes.

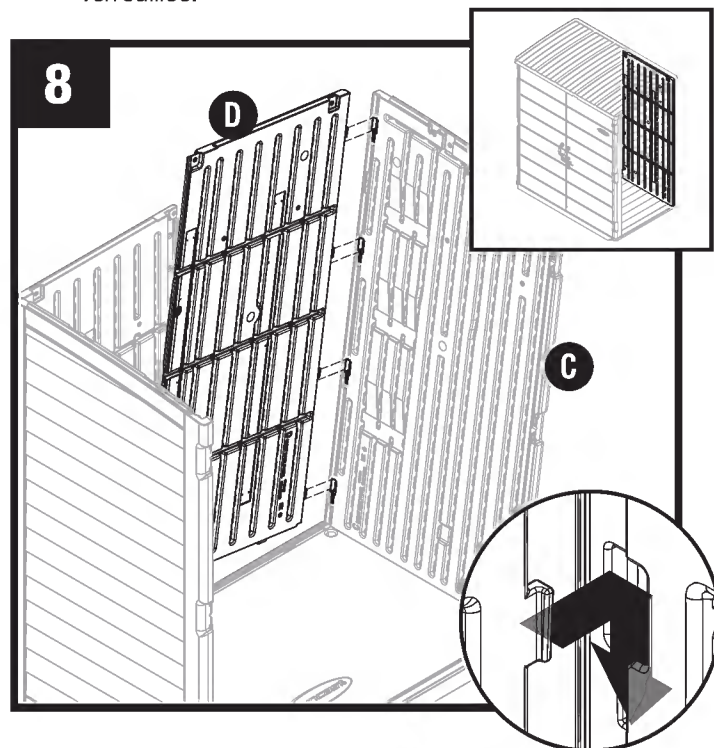



 Verrouillez le panneau latéral (C) en faisant glisser le panneau vers l'arrière du panneau de plancher (la languette d'angle avant glissera sur le sol et en position).

 **Remarque :** Utilisez un maillet en caoutchouc pour « pousser » le panneau latéral droit (C) en position verrouillée.

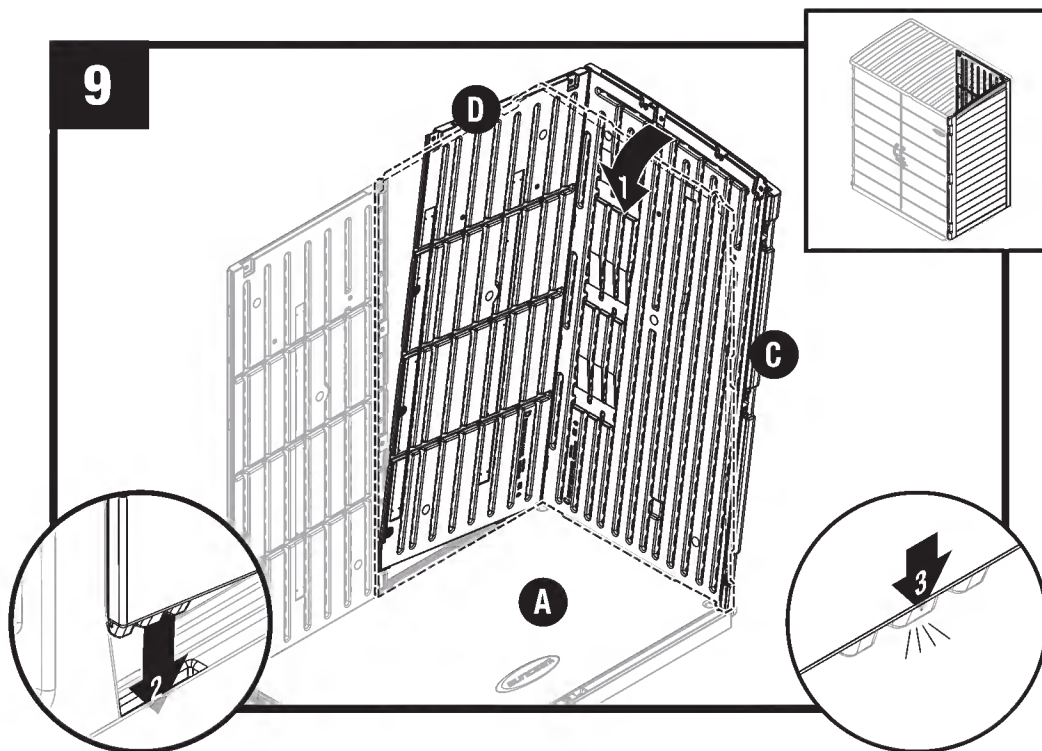


Inclinez le panneau droit (C) vers l'extérieur.



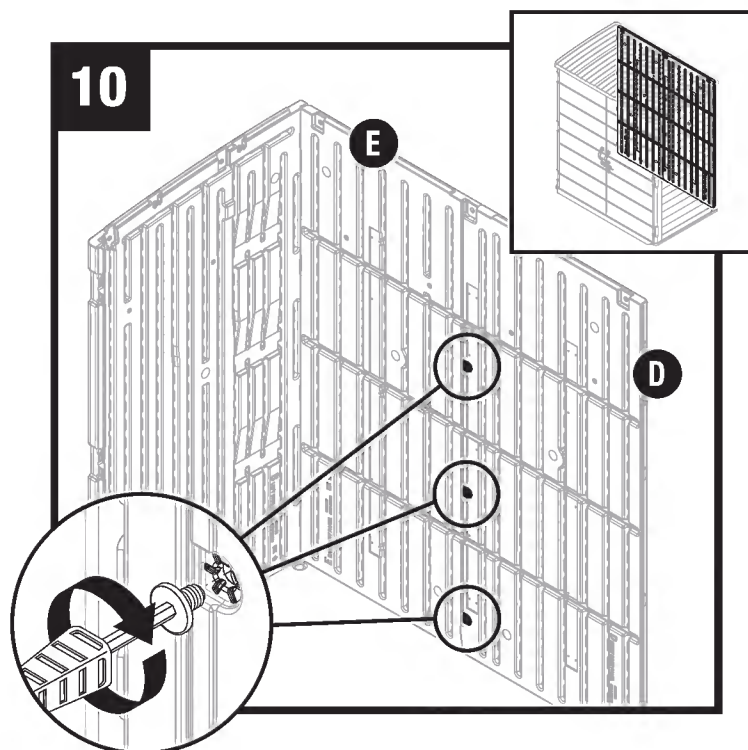
 Dans un angle, alignez les languettes sur le côté du panneau arrière droit (D) avec les fentes du panneau latéral droit (C). Faites glisser le panneau arrière droit dans le panneau latéral droit pour le fixer.

## Assemblage – Murs (a continué)



Inclinez le panneau arrière droit (D) et le panneau latéral droit (C) vers la position verticale (abaissez les languettes du panneau arrière droit dans les fentes du plancher (A). Les onglets du panneau arrière droit « s'enclencheront » en place lorsque la position sera correcte.

**Remarque :** Le panneau latéral gauche n'est pas illustré pour plus de clarté.



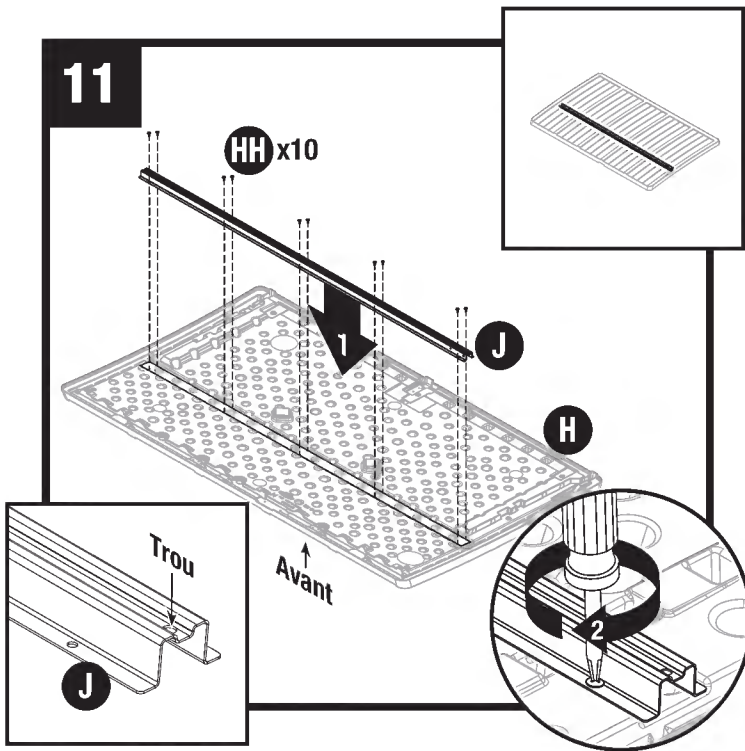
Fixez les panneaux arrière (E, D) ensemble à l'aide de trois boulons faciles (EE) qui fonctionnent de bas en haut. Serrez à l'aide d'un tournevis pour boulons faciles (FF). La tête du boulon facile sera affleurante lorsqu'il sera complètement en place. **Ne serrez pas** trop les boulons faciles.

**Remarque :** L'emplacement du boulon supérieur sera installé dans une étape ultérieure.

**Remarque :** Le panneau latéral droit n'est pas illustré pour plus de clarté. Vous pouvez entendre un « clic » lorsque le boulon facile a été serré complètement.

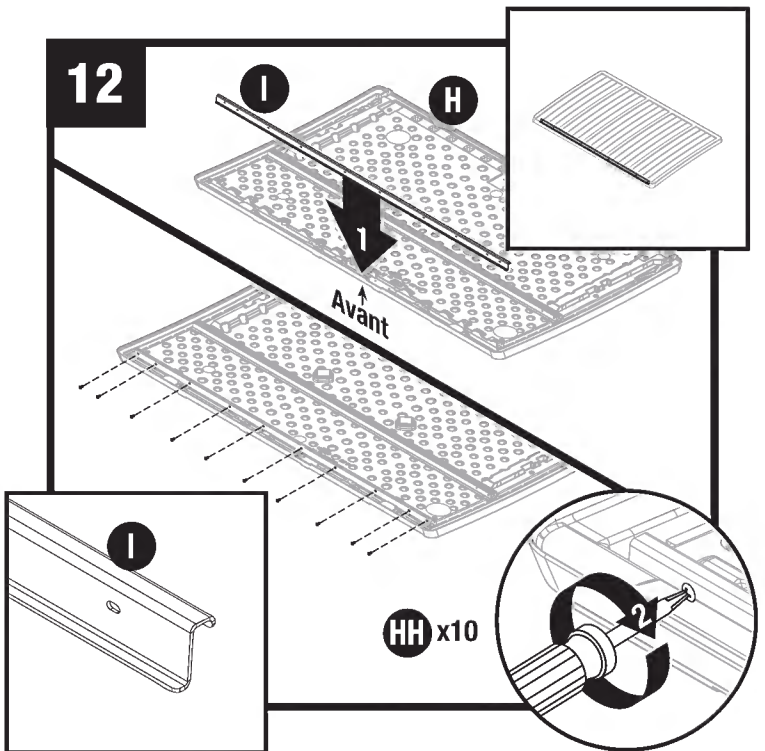


# Assemblage - Toit



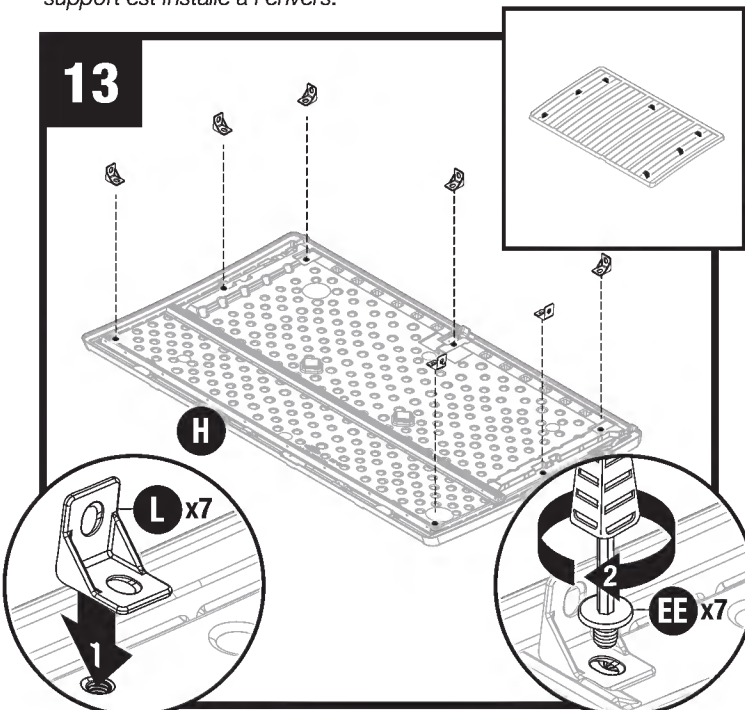
Placez le toit sur une surface plane et le support inférieur (J) dans le sillon sur le dessous du panneau de toit (H). Le trou supérieur du support (J) doit se trouver à droite pour une orientation correcte. Alignez les trous de la patte de structure avec le panneau de toit. Fixez le panneau avec dix vis (HH).

**Remarque :** Le support doit être installé en respectant l'orientation illustrée ci-dessus. Le toit ne conviendra pas si le support est installé à l'envers.

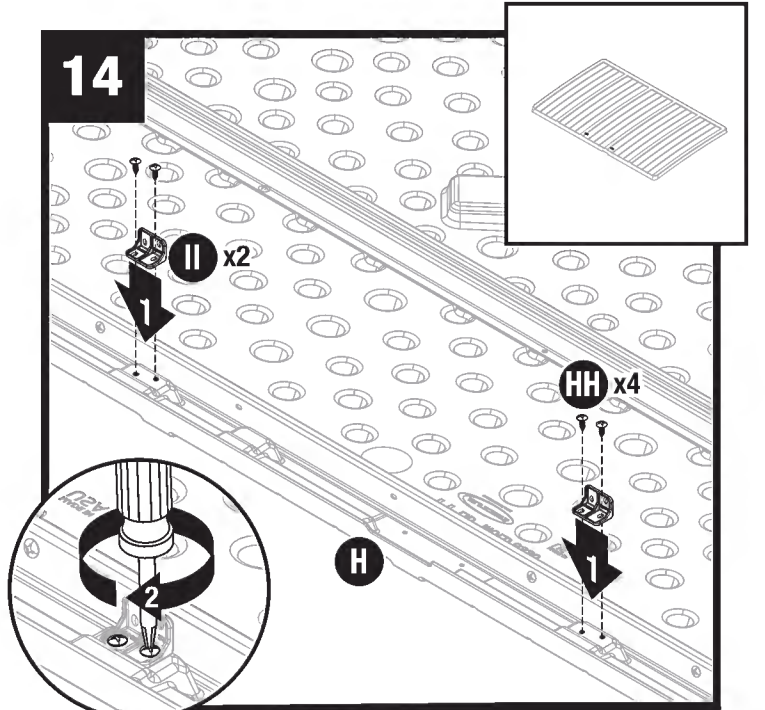


Abaissez le rail en S (I) en position sur le toit (H). Fixez à l'aide de dix vis (HH). L'orientation correcte du support en S (I) est indiquée ci-dessus.

**Remarque :** Il n'y a pas de trous pré-perçés sur le toit. Utilisez la force en vissant les vis autotaraudeuses. Une fois que la vis a percé le plastique, elle se déplacera plus facile.



Abaissez le support de toit (L) en position sur le toit. Fixez le support à l'aide d'un boulon facile. Serrez à l'aide d'un tournevis pour boulons faciles (FF). La tête du boulon facile sera affleurante lorsqu'il sera complètement en place. **Ne serrez pas trop les boulons faciles.**

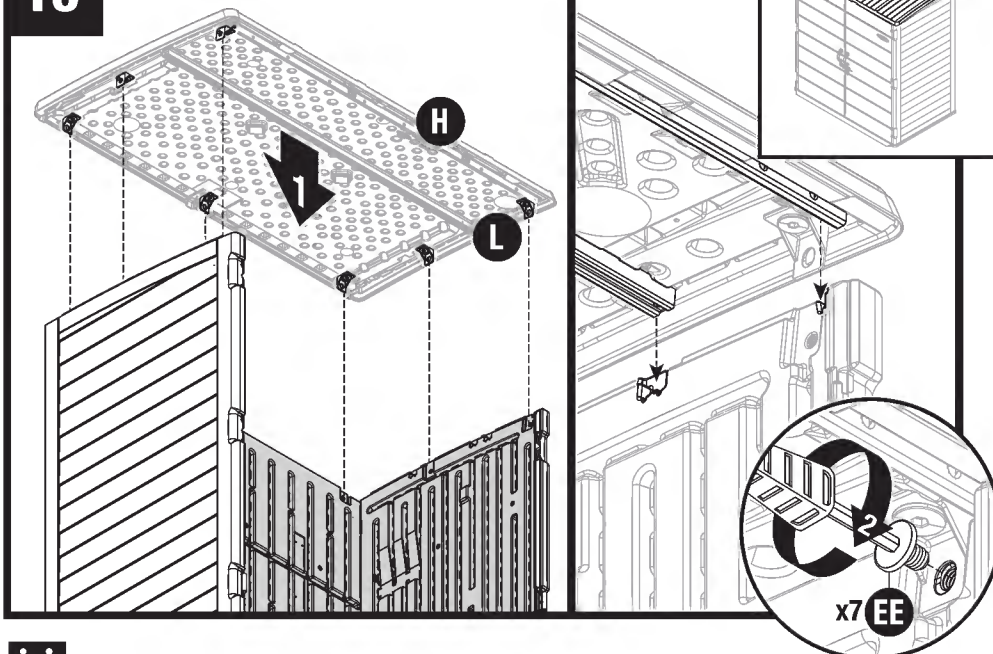


Fixez les supports de clip de porte (II) au bas du panneau de toit (H) à l'aide de deux vis (HH).

**Remarque :** La partie verticale du support doit être orientée vers l'intérieur de la remise.

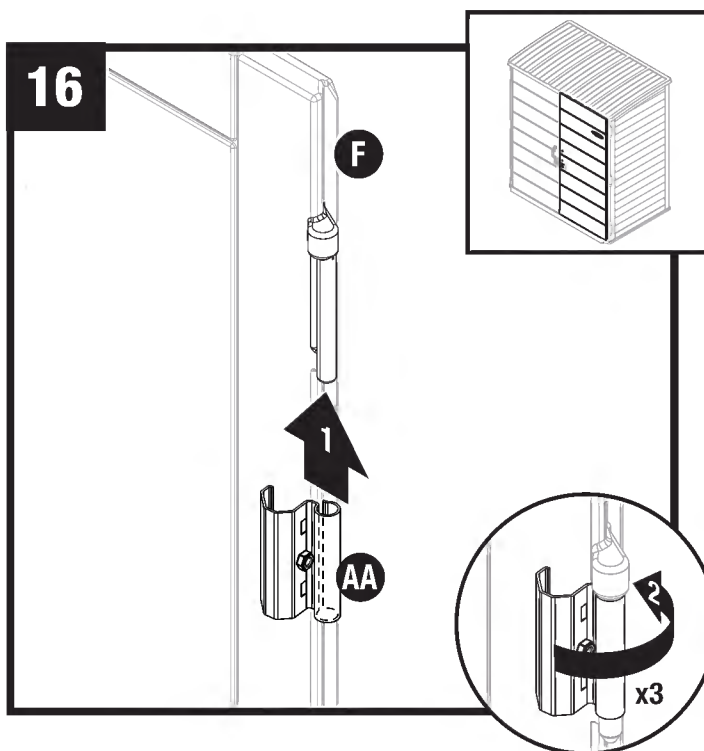
# Assemblage - Toit/Portes

15



Abaissez le panneau du toit (H) et alignez les supports du toit (L) avec les trous sur les murs. Les jambes de la ferme et les rails en S pré-assemblés sur le toit s'insèrent dans les encoches des panneaux latéraux (ce qui permet d'aligner correctement le toit). Fixez le support à l'aide de sept boulons faciles (EE). Serrez à l'aide d'un tournevis pour boulons faciles (FF). La tête du boulon facile sera affleurante lorsqu'il sera complètement en place. **Ne serrez pas trop les boulons faciles.**

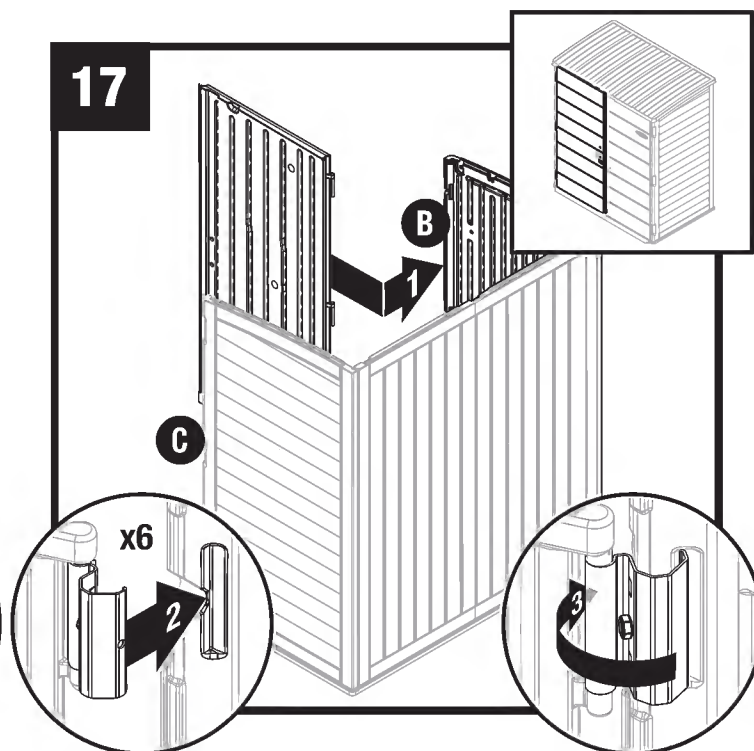
16



Tenez la porte droite (F) à la verticale avec les supports de charnière dirigés vers la droite. Faites glisser une plaque de charnière métallique (AA) sur chaque monture de charnière. Faites pivoter les plaques de charnière en métal pour les ouvrir.

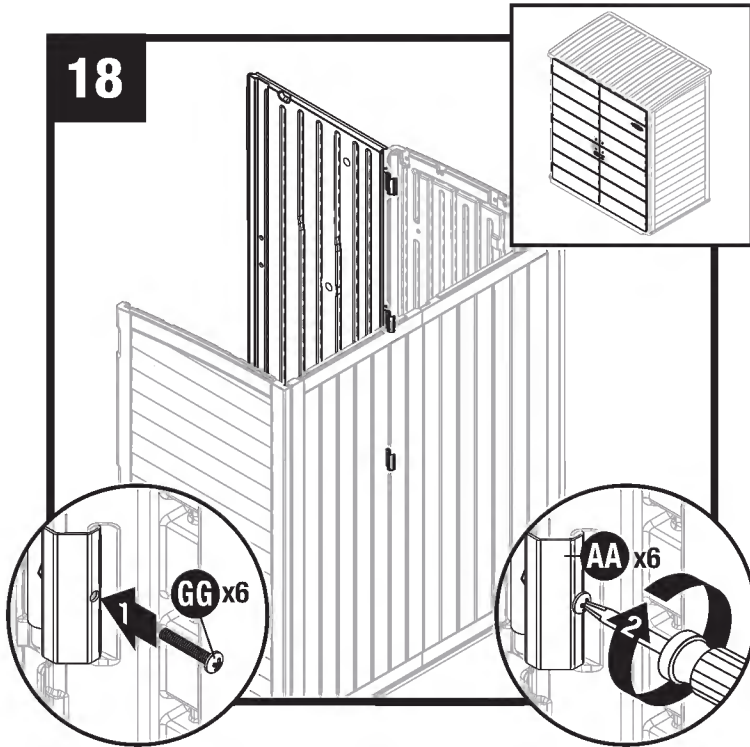
Répétez pour la porte de gauche (G)


17

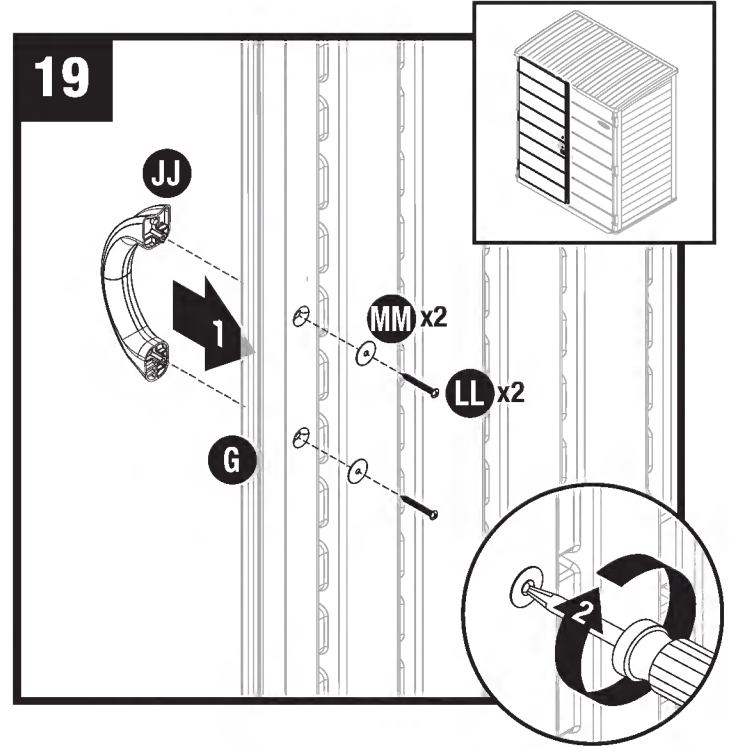


Faites glisser une plaque de charnière métallique sur chacun des six logements de charnière à l'intérieur des panneaux latéraux (B) et (C).

## Assemblage – Portes (a continué)

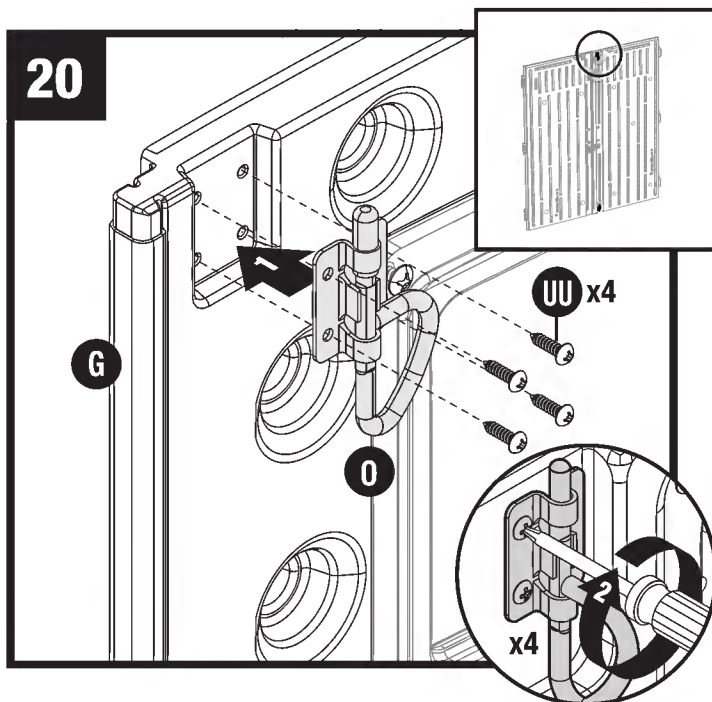


 Fixez chaque charnière de porte (AA) avec une vis (GG).

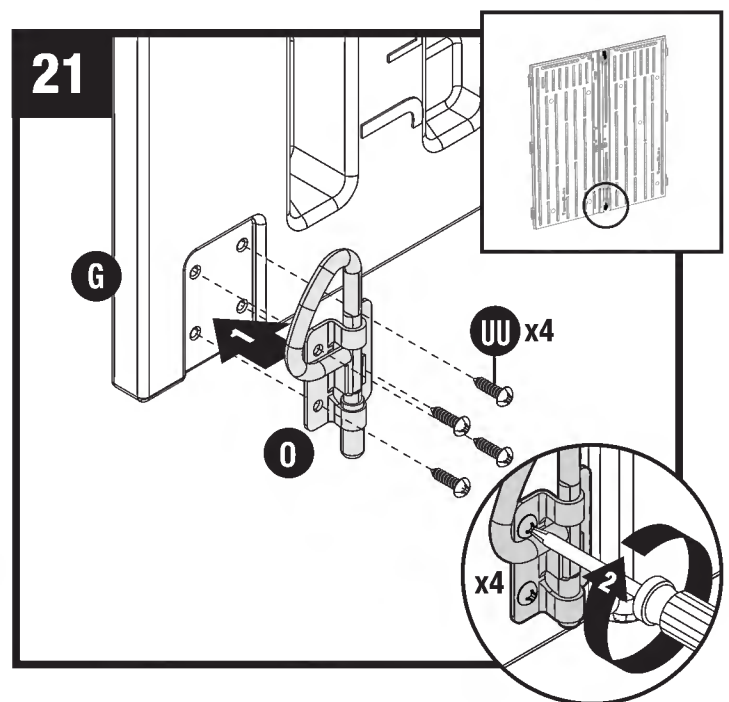


Fixez la poignée gauche (JJ) à la porte gauche (G) à l'aide des rondelles (MM) et des vis (LL).

Répétez l'opération pour la porte droite (F) et la poignée de porte droite (KK).



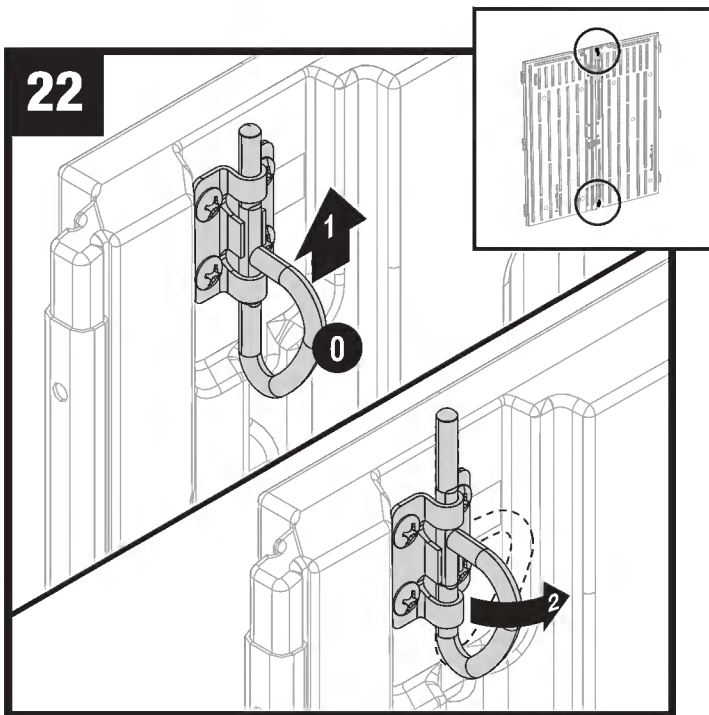
En haut de la porte gauche (J), du côté intérieur, fixer un verrou (O) par quatre vis (UU).



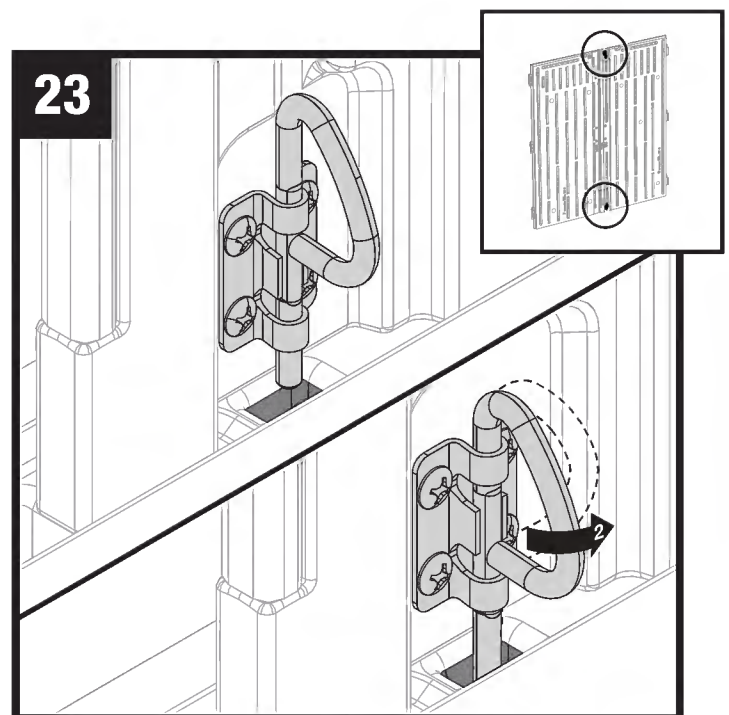
En bas de la porte gauche (J), du côté intérieur, fixer un verrou (O) par quatre vis (UU).



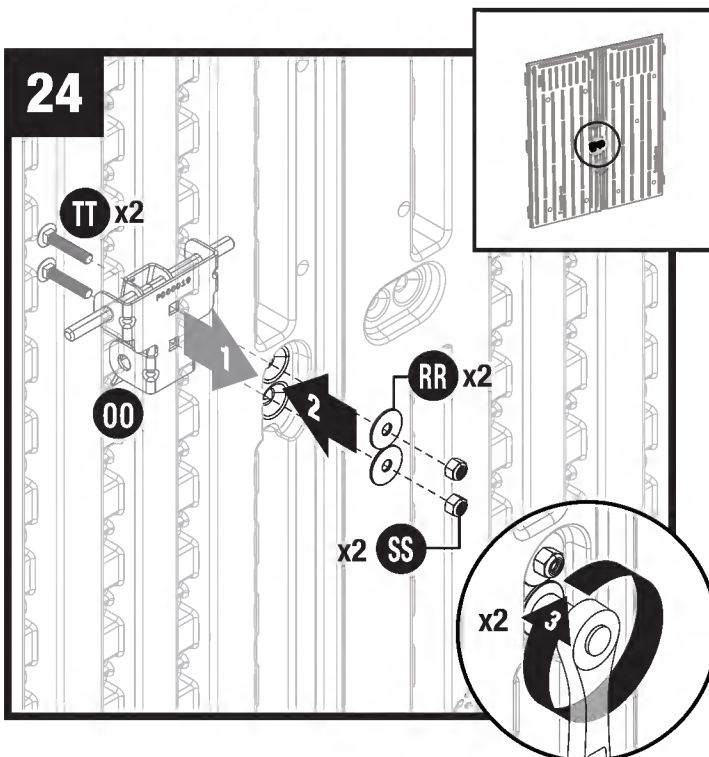
## Assemblage – Portes (a continué)



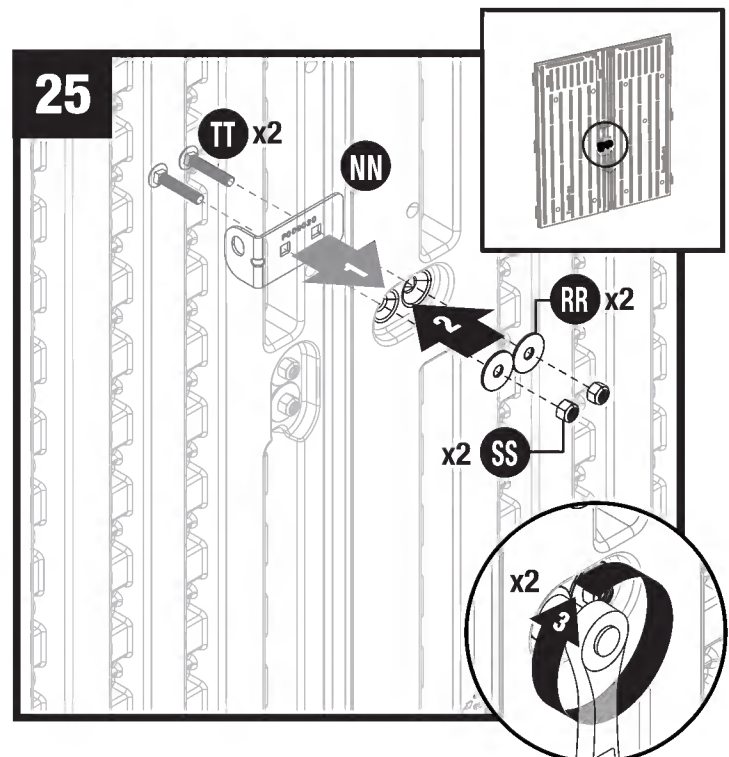
Soulever le verrou en D (O) jusqu'à ce qu'il se loge dans le chevêtre avant. Tourner le verrou en D vers la droite pour le verrouiller



Abaisser le verrou en D (O) jusqu'à ce qu'il se loge dans le trou du plancher. Tourner le verrou en D vers la droite pour le verrouiller

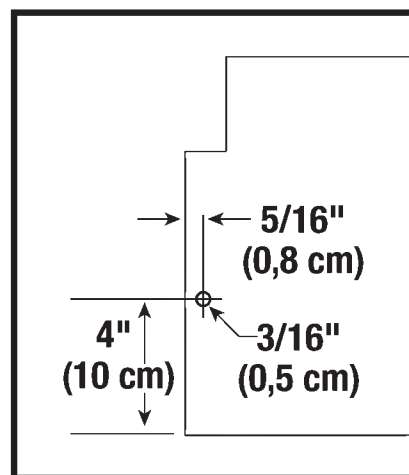
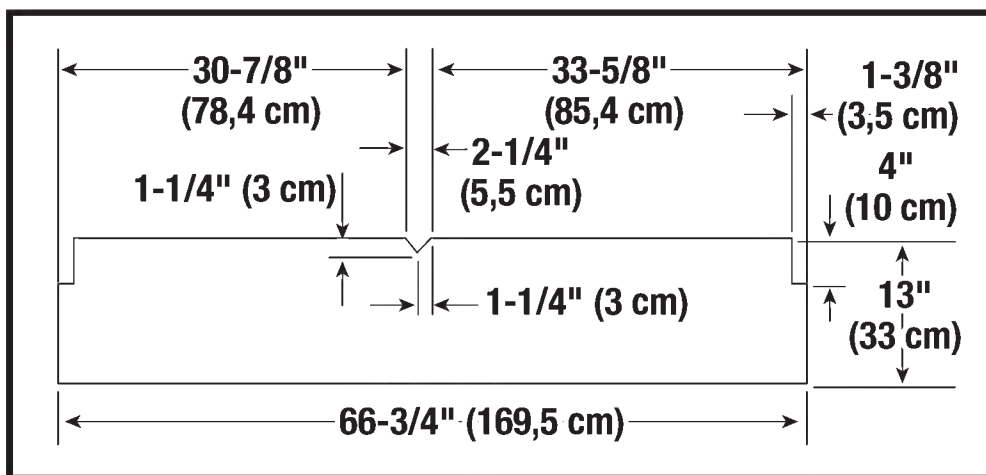


Mettre deux vis (TT) dans la plaque (OO) et la porte droite. Les vis devront percer une fine couche de plastique pour passer la porte. Tout en maintenant la plaque à l'extérieur de la porte, mettre une rondelle (RR) et un écrou (SS) sur chaque vis et serrer.

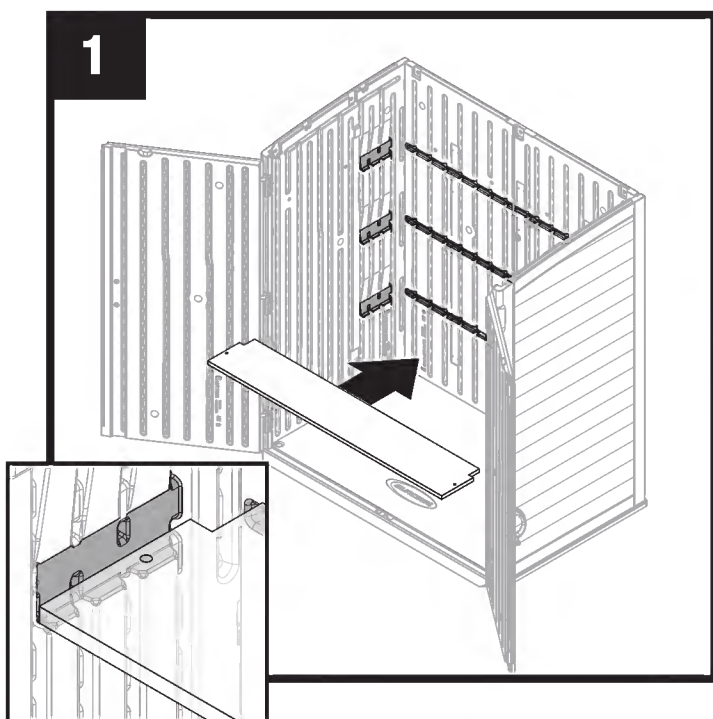


Faire passer deux vis (TT) dans la plaque (NN) et la porte gauche. Les vis devront percer une fine couche de plastique pour passer la porte. Tout en maintenant la plaque à l'extérieur de la porte, mettre une rondelle (RR) et un écrou (SS) sur chaque vis et serrer.

## Étagère en bois à l'intérieur en option (matériaux non inclus)

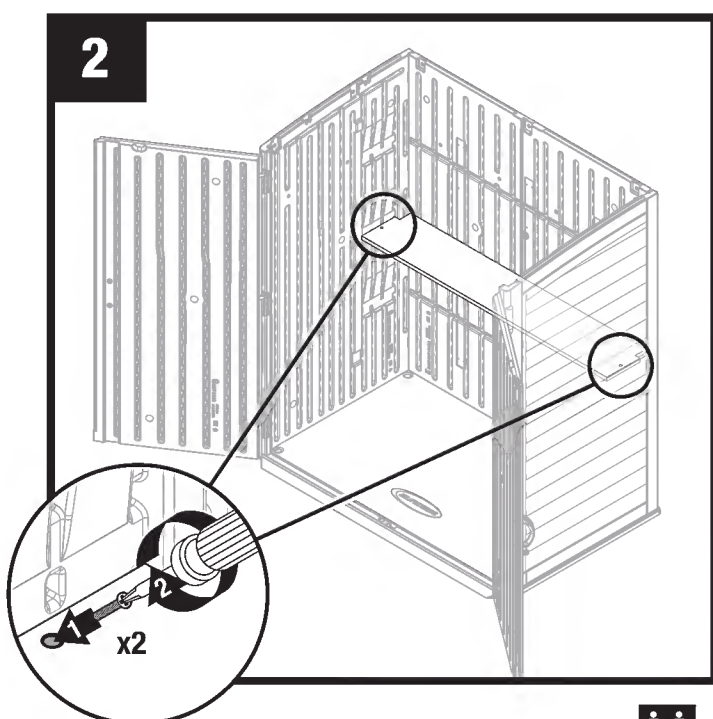


- Trois étagères en bois facultatives peuvent être ajoutées à votre remise de stockage.
- Coupez les étagères en bois de 3/4 po (1,9 cm) d'épaisseur en utilisant les dimensions ci-dessus.
- Percez un avant-trou de 3/16 po (0,5 cm) de chaque côté de l'étagère.



Placez l'étagère dans la remise. L'étagère doit être complètement assise dans les supports d'étagère sur les panneaux latéraux et arrière.

**Remarque :** Le toit n'est pas illustré pour plus de clarté.



Pour fixer l'étagère, insérez une vis à cloison sèche no 8 x 1,25 po (20,3 cm x 3,2 cm) (non fournis) dans chaque trou pilote et dans les panneaux latéraux.

**Remarque :** Appuyez vers l'intérieur sur les panneaux latéraux si nécessaire pour fixer l'étagère bien en place dans les supports d'étagère des panneaux latéraux et arrière.





## Antes de comenzar...

- **Consulte a las autoridades locales para determinar qué permisos son necesarios para construir el cobertizo.**

Antes de iniciar la construcción del cobertizo, consulte al funcionario local encargado de los códigos de construcción para conocer los permisos necesarios o las limitaciones en la construcción.

- **Antes de iniciar la construcción del cobertizo, es necesario tener una cimentación sólida y nivelada.**

En las páginas 10 y 11 encontrará información para la preparación del sitio. Una cimentación diferente de las sugeridas en este manual podría impedir el armado correcto y dañar las piezas.

- **Antes de comenzar con el armado, lea todas las instrucciones.**

Este kit contiene piezas que pueden dañarse si se arman incorrectamente o en la secuencia equivocada.

- **Siga las instrucciones.**

Suncast no es responsable del reemplazo de las piezas dañadas o perdidas debido al armado incorrecto.

- **Se requiere ayuda durante todo el armado.** 

## **IMPORTANTE**

ABRA TODAS LAS CAJAS PRIMERO Y EXTIENDA LAS PIEZAS EN FORMA ORDENADA. PUEDEN HABER PIEZAS PEQUEÑAS EN CADA CAJA. CONSULTE LA LISTA DE PIEZAS INCLUIDA EN ESTE MANUAL PARA VERIFICAR QUE TODAS LAS PIEZAS ESTÉN PRESENTES.

COMPLETE LA PREPARACIÓN DEL SITIO Y LA CONSTRUCCIÓN DE LA CIMENTACIÓN ANTES DE DESEMPACAR LAS PIEZAS.



## PRECAUCIÓN

- Se requiere preparar adecuadamente el lugar de la instalación.
- El cobertizo no se diseñó para su uso en condiciones climáticas extremas.
- El cobertizo no se diseñó para almacenar productos químicos cáusticos o inflamables.
- Guarde los artículos pesados cerca de la parte inferior del cobertizo.
- El cobertizo no se diseñó para que lo usen los niños.
- **NO** se ponga de pie, no se siente, ni almacene artículos sobre el techo del cobertizo.
- Tenga cuidado cuando use el cobertizo en condiciones extremas de temperatura.
- Repare o reemplace inmediatamente cualquier pieza rota.
- Suncast no se hace responsable por daños causados por condiciones meteorológicas o mal uso del cobertizo.
- Inspeccione el cobertizo regularmente para verificar que no haya piezas que se estén desarmando.
- Verifique periódicamente que la ubicación seleccionada para colocar el cobertizo continúe estando nivelada.
- Este kit contiene piezas con bordes metálicos. Tenga cuidado al manipularlas.



## Seguridad y cuidado del cobertizo

- No deben guardarse artículos calientes, como parrillas recientemente usadas, sopletes, etc. en el cobertizo.
- No deben apoyarse artículos pesados contra las paredes; esto puede causar deformación de los paneles y daños permanentes.
- Mantenga el techo sin nieve y hojas de árboles.
- Las secciones de las paredes y el techo del cobertizo tienen un exterior texturizado muy parecido a los paneles de vinilo de las casas. Con el tiempo, puede acumularse polvo en la superficie texturizada. Al combinarse con la humedad, esto puede favorecer el crecimiento de moho o musgo en el cobertizo. Para mantener la buena apariencia del cobertizo, recomendamos limpiarlo una vez al año con jabón suave y agua. No use lejía, amoníaco ni otros limpiadores cáusticos y no use cepillos con cerdas duras. Si no se realiza la limpieza anual, el plástico puede mancharse permanentemente. Este no es un defecto de fabricación y no está cubierto por la garantía.

## Sugerencias para el armado

- Complete la preparación del sitio y la construcción de la cimentación antes de desempacar las piezas y comenzar el armado.
- **NO** intente trabajar en el armado en un día con fuertes vientos.
- **NO** trate de trabajar en el armado en días con temperaturas por debajo de 0 °C (32 °F).
- Prevea la cantidad de tiempo necesario para armar el cobertizo en su totalidad.
- Asegúrese de contar con ayuda para levantar los componentes y ajustarlos en su lugar.
- Use guantes para trabajo liviano cuando esté armando el cobertizo.
- Una vez que haya armado el techo, puede usar una linterna para armar los componentes más pequeños dentro del cobertizo.
- **NO** use un destornillador manual para apretar los pernos Easy Bolt provistos. Utilice la herramienta Easy Driver 010210410 para los pernos Easy Bolt **SOLAMENTE**.
- Para más comodidad, Suncast proporciona tornillería adicional para sujetadores pequeños. En algunos casos, quedarán sujetadores pequeños adicionales después de haber terminado el armado.

**Nota:** este producto contiene piezas que se usan en diferentes orientaciones para armar el cobertizo. Verifique la orientación de las piezas ilustradas en todo el manual de instrucciones. Si no sigue correctamente las instrucciones, puede dañar las piezas. Suncast no es responsable del reemplazo de las piezas dañadas o perdidas debido al armado incorrecto.

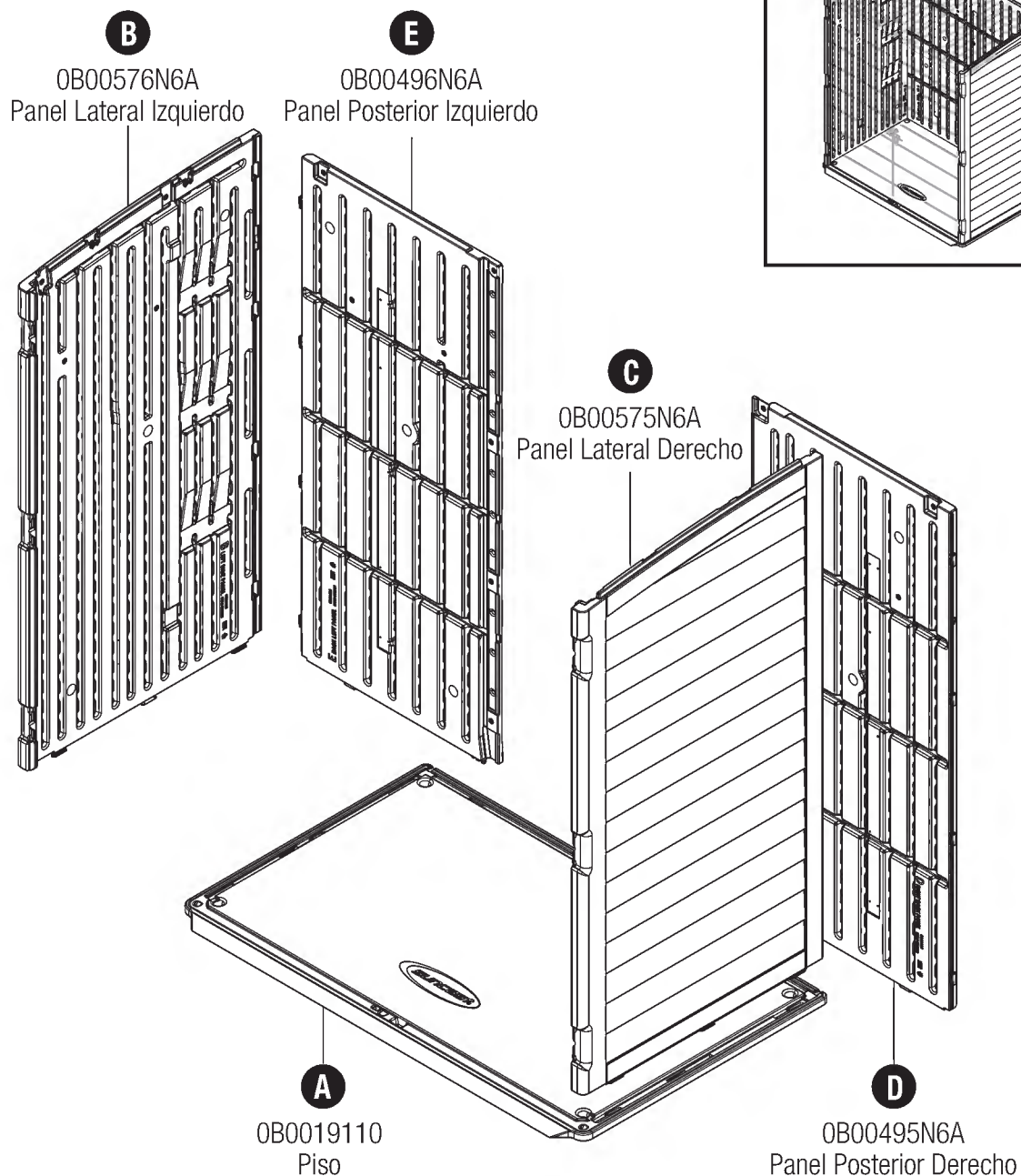


## IMPORTANTE

ABRA TODAS LAS CAJAS PRIMERO Y EXTIENDA LAS PIEZAS EN FORMA ORDENADA. PUEDEN HABER PIEZAS PEQUEÑAS EN CADA CAJA. CONSULTE LA LISTA DE PIEZAS INCLUIDA EN ESTE MANUAL PARA VERIFICAR QUE TODAS LAS PIEZAS ESTÉN PRESENTES.

COMPLETE LA PREPARACIÓN DEL SITIO Y LA CONSTRUCCIÓN DE LA CIMENTACIÓN ANTES DE DESEMPACAR LAS PIEZAS.

## Piezas - Pared y piso

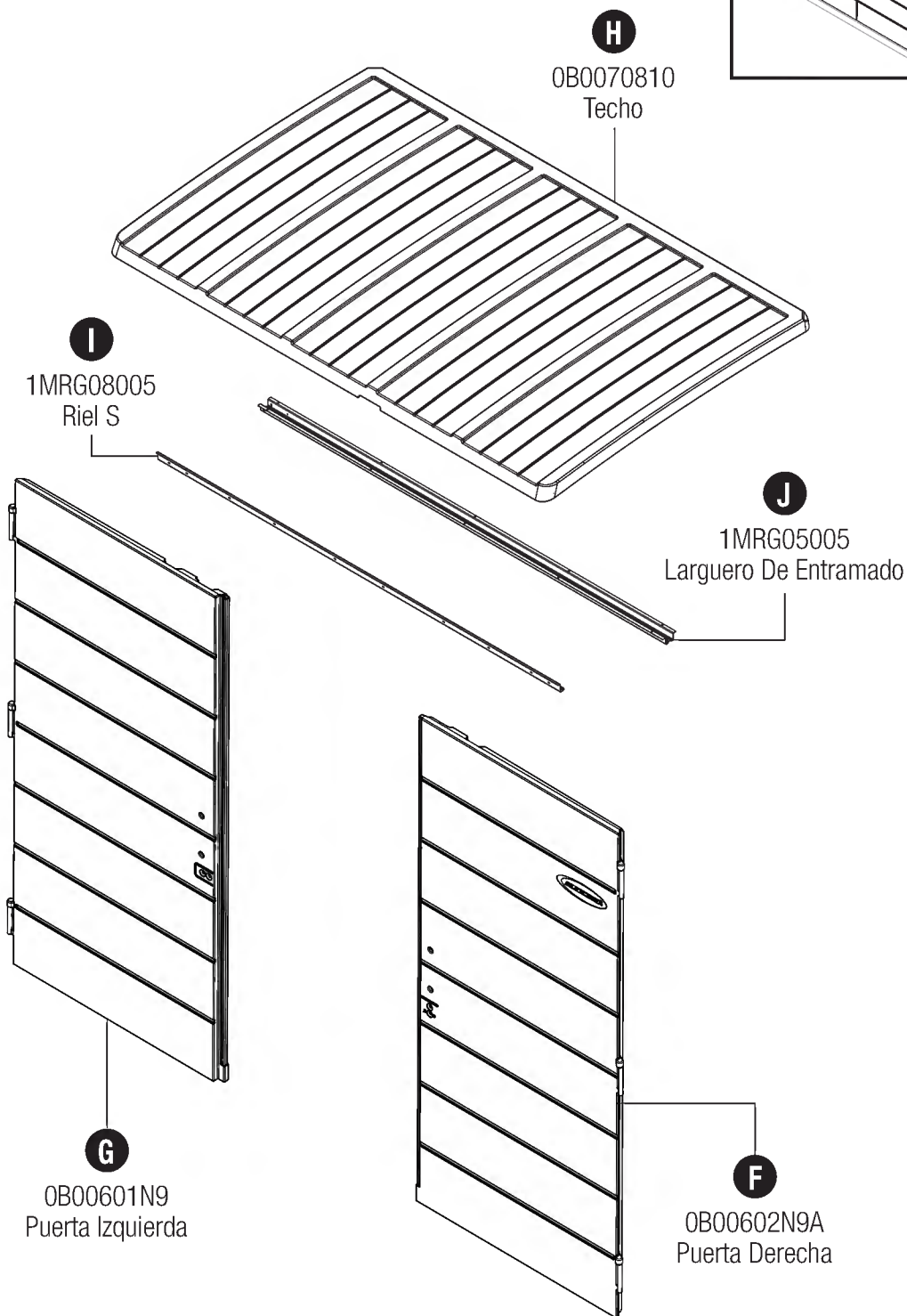
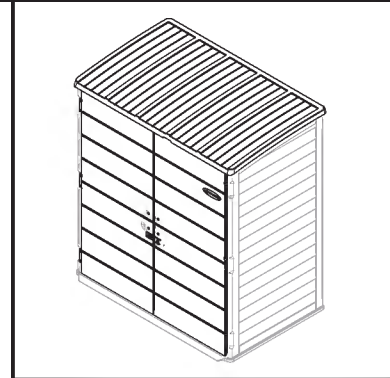


# Piezas - Techo y puertas

## **IMPORTANTE**

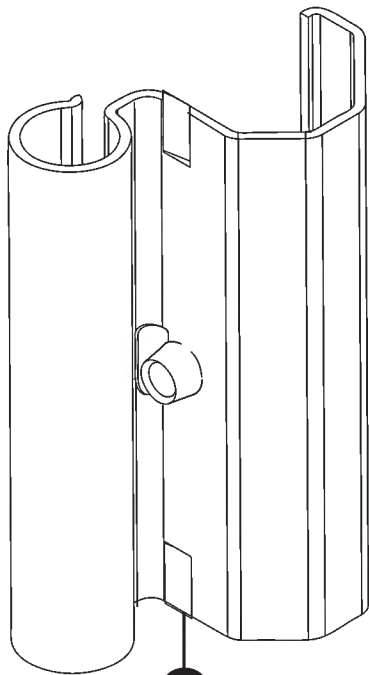
ABRA TODAS LAS CAJAS PRIMERO Y EXTIENDA LAS PIEZAS EN FORMA ORDENADA. PUEDEN HABER PIEZAS PEQUEÑAS EN CADA CAJA. CONSULTE LA LISTA DE PIEZAS INCLUIDA EN ESTE MANUAL PARA VERIFICAR QUE TODAS LAS PIEZAS ESTÉN PRESENTES.

COMPLETE LA PREPARACIÓN DEL SITIO Y LA CONSTRUCCIÓN DE LA CIMENTACIÓN ANTES DE DESEMPACAR LAS PIEZAS.



# Piezas - Elementos de conexión

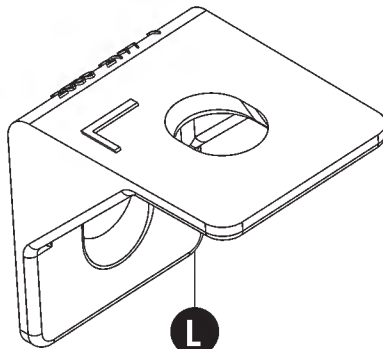
## 0860108 - Kit de Bisagra



**AA**

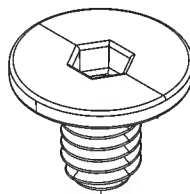
OMP000022  
Laca de Bisagra Metálica  
x6

## Bolsa de Componentes



**L**

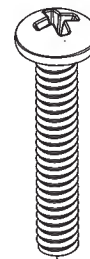
0102197N6  
Soporte de Techo  
x7



**EE**

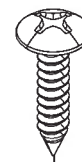
Perno de Fácil Inserción  
x17

## 0480524 - Bolsa de Componentes



**GG**

0631017  
0,6 cm – 20 x 3,8 cm  
Tornillo Mecánico  
x7



**HH**

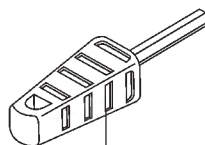
0631149  
Tornillo de Cabeza  
Segmentada 1,6 cm  
x28

## 0480452 - Sac de Quincaillerie



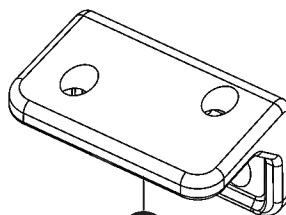
**UU**

0210180  
#8 x 1,6 cm  
Tornillo de Cabeza  
Segmentada  
x9



**FF**

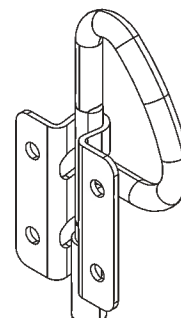
010210410  
Herramienta Para Perno  
de Fácil Inserción



**II**

0102721  
Soporte del Sujetador  
de la Puerta  
x2

## 0440631 - Sac de Quincaillerie



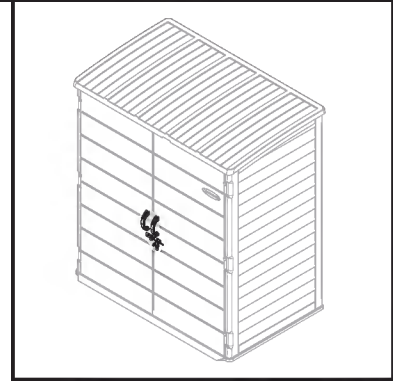
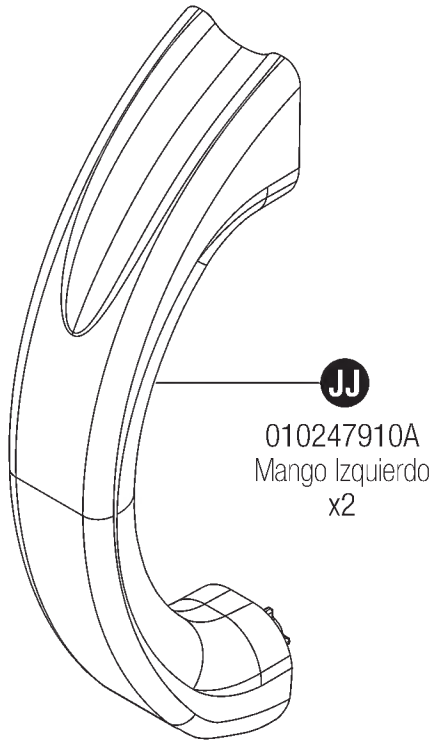
**O**

0280384  
Pestillo con Anillo D  
x2

Se proporcionan elementos adicionales.  
No todo se usa.

# Piezas - Piezas de kit de mangos de puerta

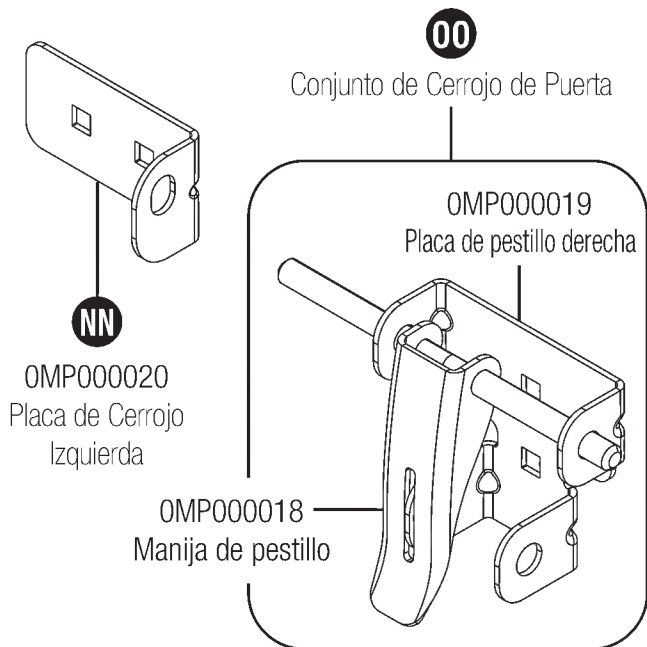
## 0464523 - Kit de Mango de Puerta



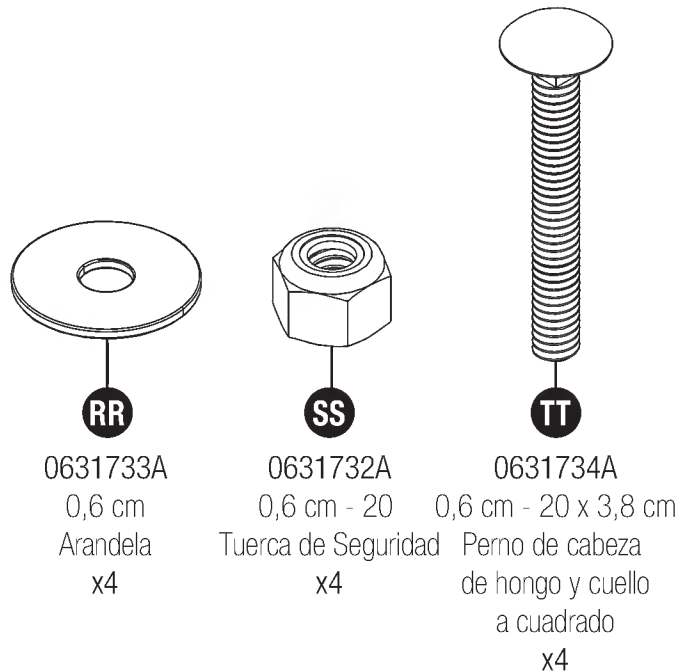
## 0480370 – Bolsa con Tornillería



## 0464504 - Kit las Manijas de la Puerta



## 0480439A - Bolsa con Tornillería





# Preparación del sitio y construcción de la plataforma

Materiales **NO** incluidos con el kit de cobertizo

**Nota:** Se requiere preparación del sitio para este cobertizo. Se requiere colocar el cobertizo sobre una base construida. Sin una base construida, probablemente ocurrirá un asentamiento, causando distorsión y daños en el cobertizo. El fabricante no es responsable de reemplazar las piezas dañadas o las propiedades perdidas debido a un ensamblaje incorrecto. La garantía requiere una base.

**Nota:** Complete la preparación del sitio y la construcción de la base antes de desempaquetar las piezas y comenzar el ensamblaje.

## Para preparar el sitio de cobertizo, siga los pasos a continuación:

- 1 Consulte a las autoridades locales sobre los códigos y los convenios de construcción antes de comenzar la base o erigir el cobertizo.
- 2 Antes de excavar, verifique con los servicios públicos locales para determinar la ubicación de cables enterrados, tuberías, etc.
- 3 Decida qué tipo de base desea:
  - Losa de hormigón, 10,2 cm de espesor

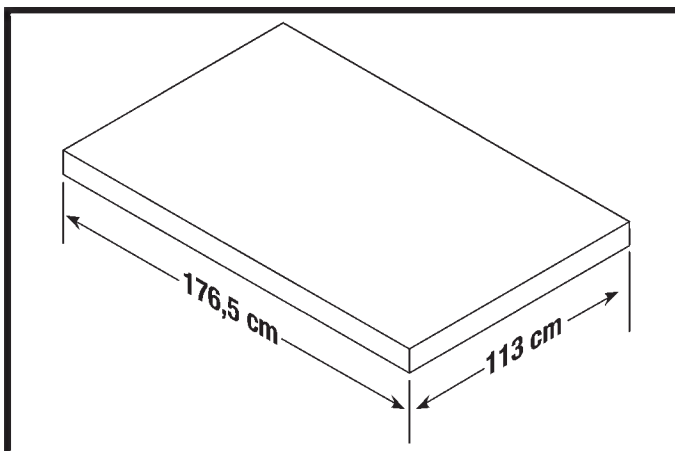


- Plataforma de madera

Use madera de grado exterior. La plataforma de madera debe colocarse en ladrillos o de pie. Consulte a su distribuidor local para obtener ayuda en la determinación del mejor método de anclaje para su instalación en particular. Los planos proporcionados están dimensionados para la cantidad mínima de cortes en madera y madera contrachapada.

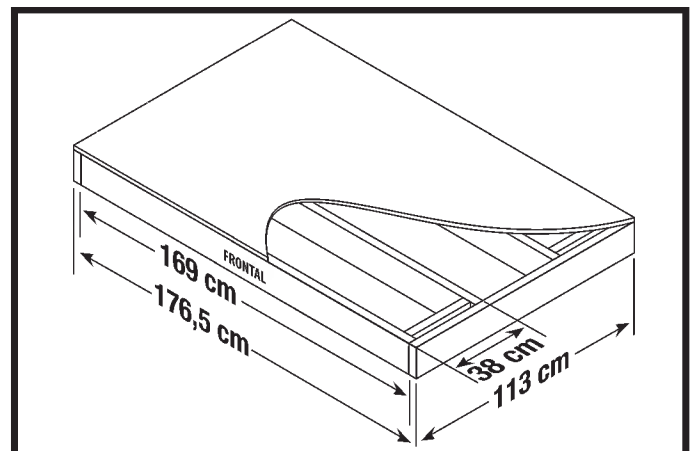
- 4 Prepare el sitio de construcción:
  - El suelo debe inclinarse fuera del área de la base para proporcionar drenaje.
  - La superficie de la base debe ser plana y nivelada.
  - Se debe proporcionar una barrera de vapor para evitar la condensación excesiva en el cobertizo.
  - Siga los códigos de construcción locales para una barrera de vapor adecuada.
- 5 Anclaje del cobertizo a la base:
  - Consulte al distribuidor local para determinar el mejor método de anclaje para su instalación en particular.
  - Para asegurar el cobertizo a una losa de hormigón, cuatro (4) pernos de anclaje de 9,5 mm y cuatro (4) arandelas planas de 9,5 mm x 25,4 mm
  - Para asegurar el cobertizo a una plataforma de madera, use tornillos tirafondo de 9,5 mm y arandelas planas de 9,5 mm x 25,4 mm.

## Anclaje del panel de piso a la losa de hormigón



- Asegure el cobertizo a la losa de hormigón usando sujetadores de mampostería.
- Las dimensiones permiten que el cobertizo quepa con 2,5 cm de precisión a cada lado.

## Anclaje del panel de piso a la plataforma de madera

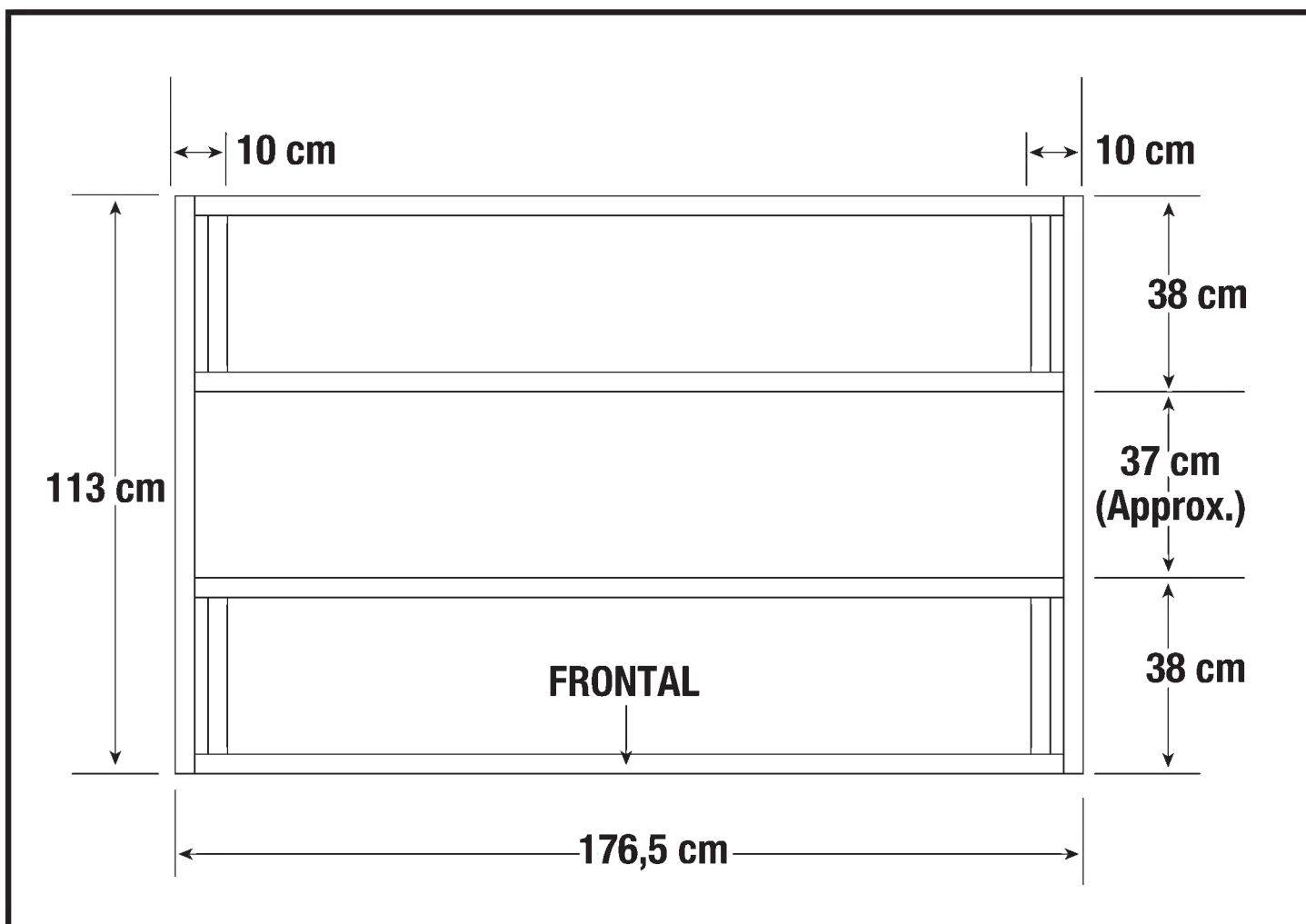


- Asegure el cobertizo a la plataforma de madera con tornillos tirafondo de 0,6 cm x 7,6 cm.

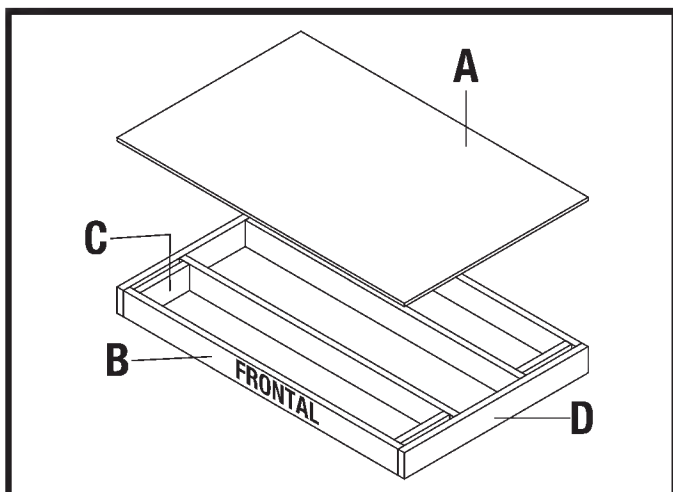
# Preparación del sitio y construcción de la plataforma

Materiales NO incluidos con el kit de cobertizo

## Espaciado crítico de la plataforma de madera



- Verifique las medidas de espaciado crítico.

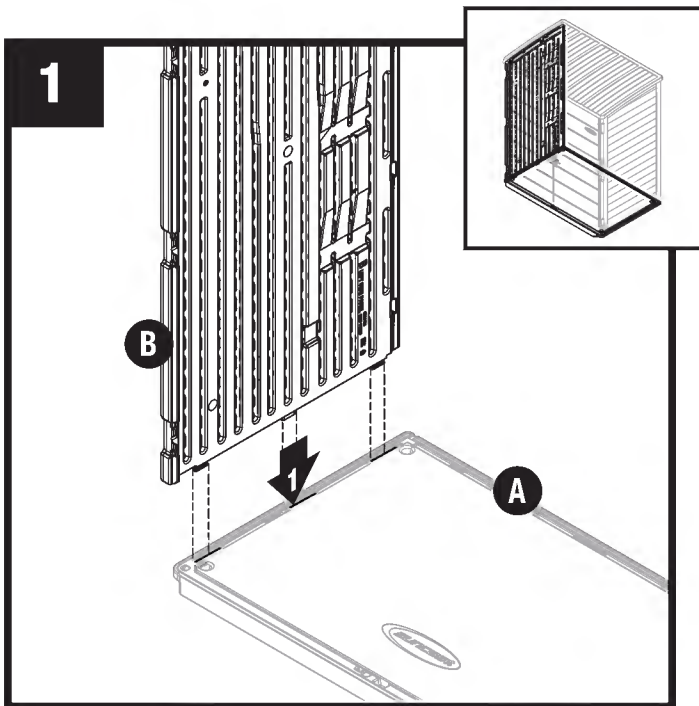



## Lista de materiales de la plataforma de madera

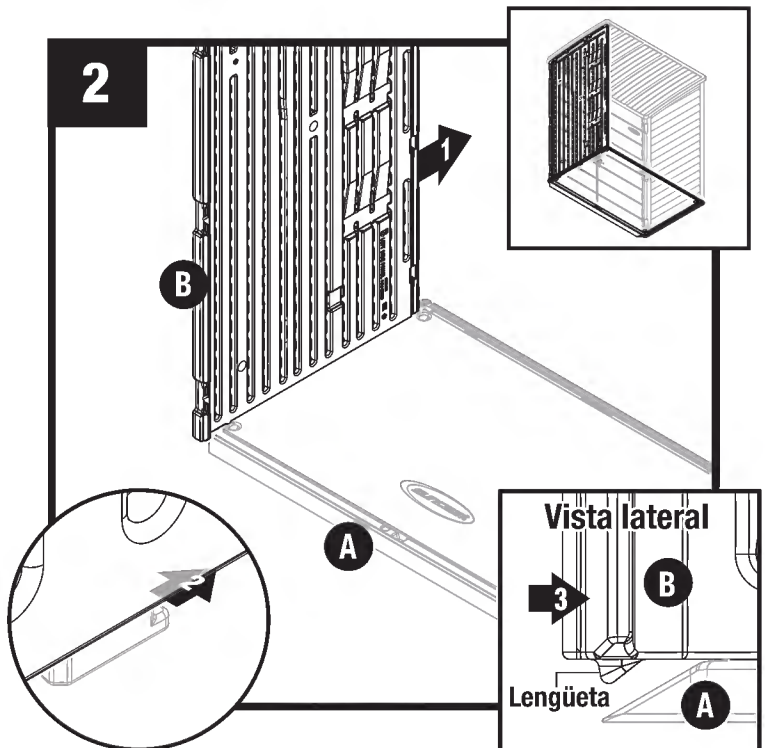
Item	Qty	Size
A	1	113 cm x 177 cm x 2 cm
B	4	5 cm x 15,25 cm x 169 cm
C	4	5 cm x 15,25 cm x 30,5 cm
D	2	5 cm x 15,25 cm x 133 cm


**Nota:** la madera dimensional es en realidad 1,27 cm más pequeña que los tamaños indicados.


# Ensamblaje: paredes

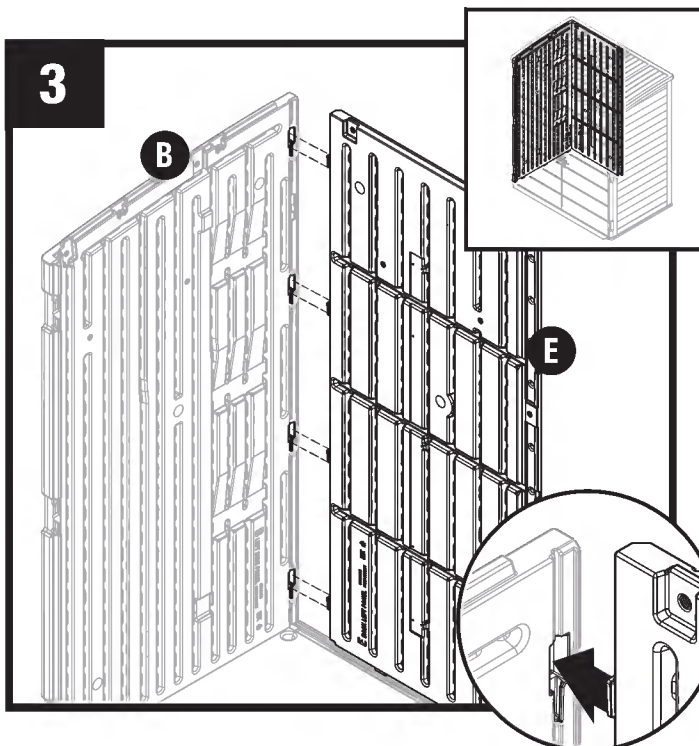



 Alinee las pestañas en el panel lateral inferior izquierdo (B) con las ranuras en el piso (A). Baje el panel en las ranuras.

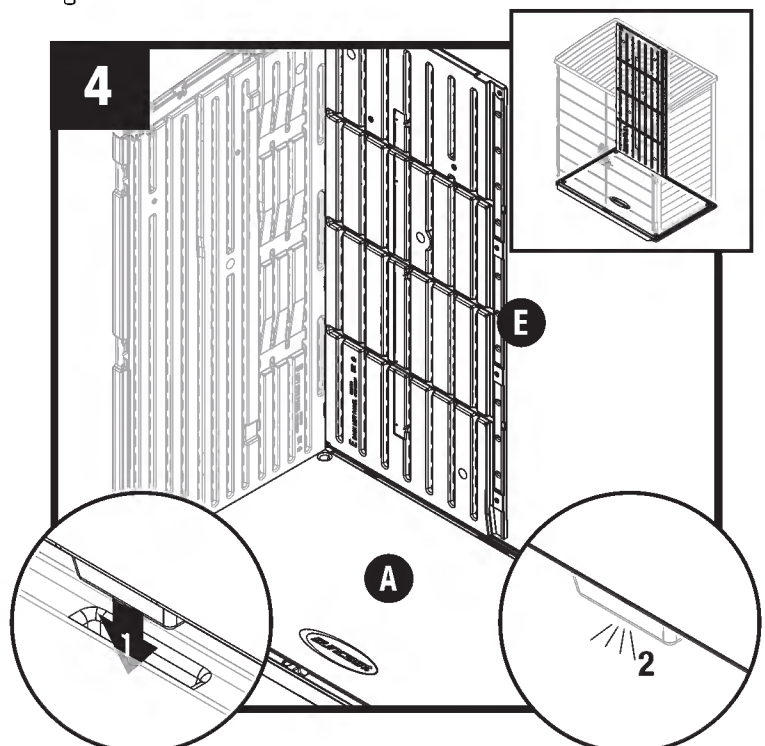


 Bloquee el panel lateral (B) deslizando el panel hacia la parte posterior del panel del piso (la pestaña de la esquina frontal se deslizará hasta su posición).

 **Nota:** Use un mazo de goma para "empujar" el panel lateral izquierdo (B) a la posición de bloqueo.

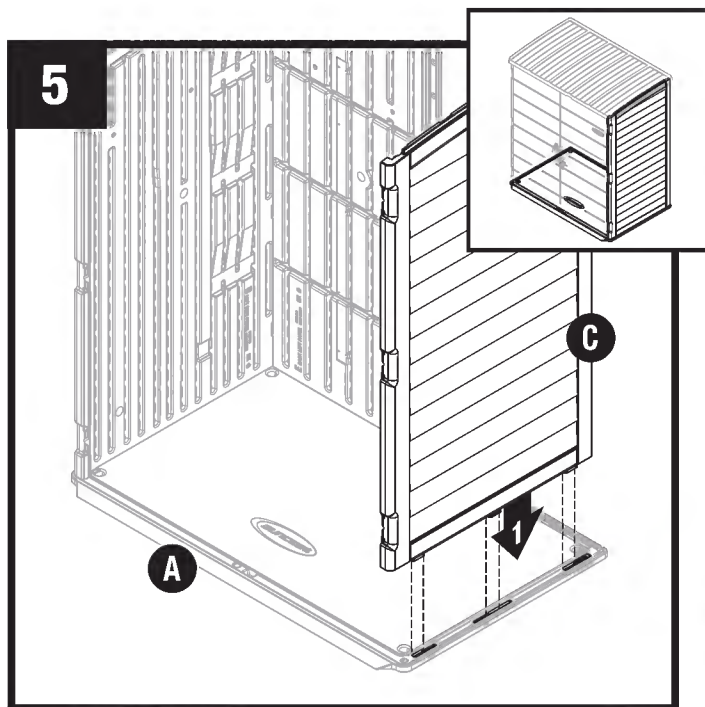



 Alinee las pestañas del lado del panel posterior izquierdo (E) con las ranuras del panel lateral izquierdo (B). Deslice hacia atrás el panel izquierdo hacia el panel lateral izquierdo.

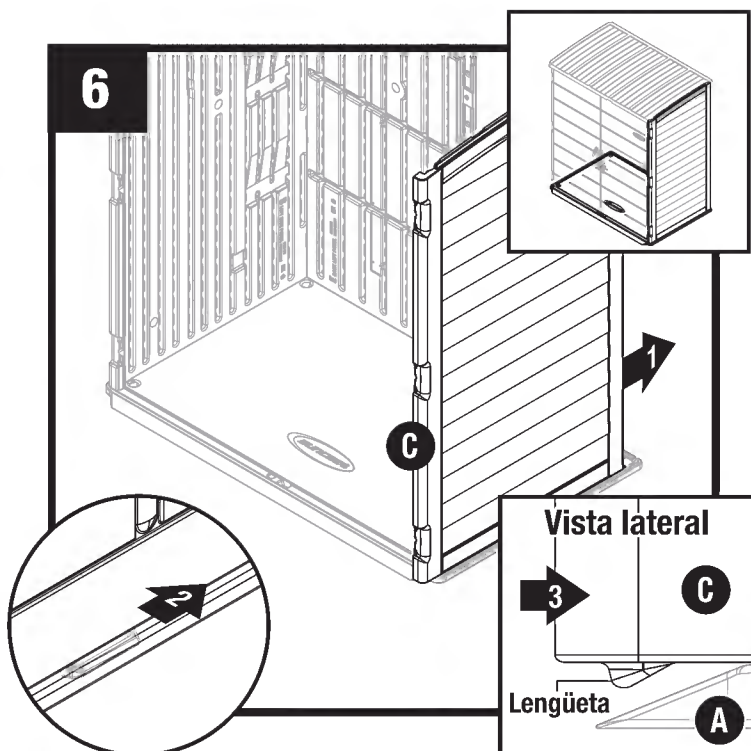



Baje las pestañas del panel posterior izquierdo (E) hacia las ranuras del piso (A). Las pestañas del panel posterior izquierdo se "ajustarán" en su lugar cuando estén en la posición correcta.


## Ensamblaje: paredes (a continué)

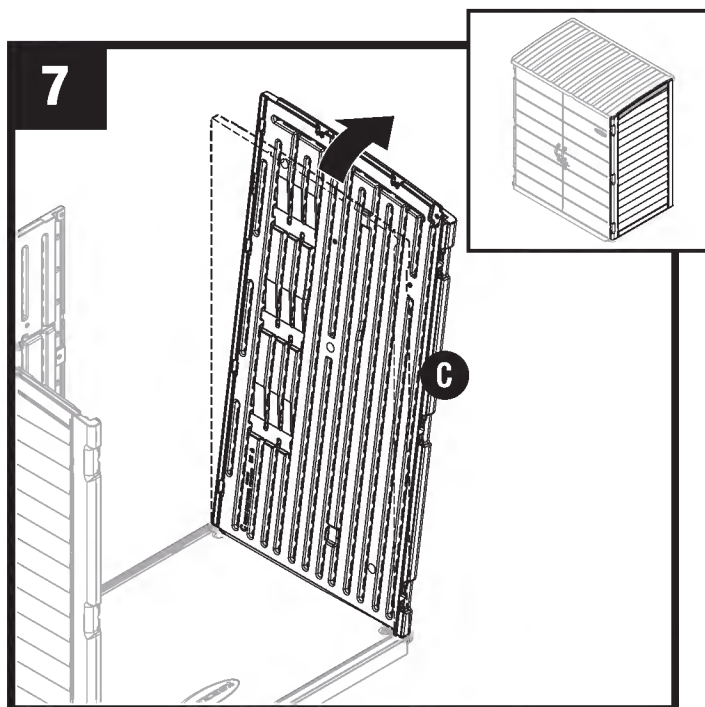


 Alinee las pestañas en el panel lateral inferior derecho (C) con las ranuras en el piso (A). Baje el panel en las ranuras.

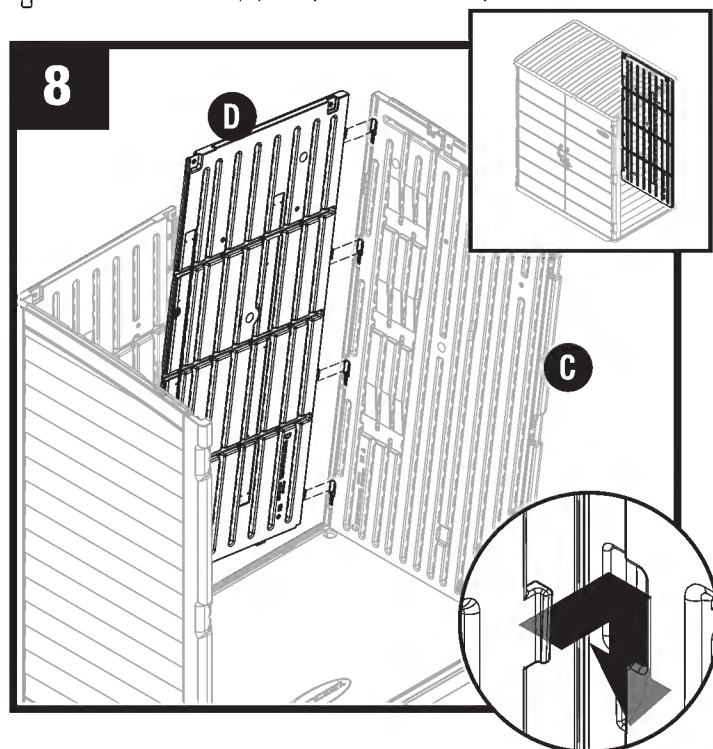



 Bloquee el panel lateral (C) deslizando el panel hacia la parte posterior del panel del piso (la pestaña de la esquina frontal se deslizará sobre el piso hasta su posición).

 **Nota:** Use un mazo de goma para 'empujar' el panel lateral derecho (C) a la posición de bloqueo.



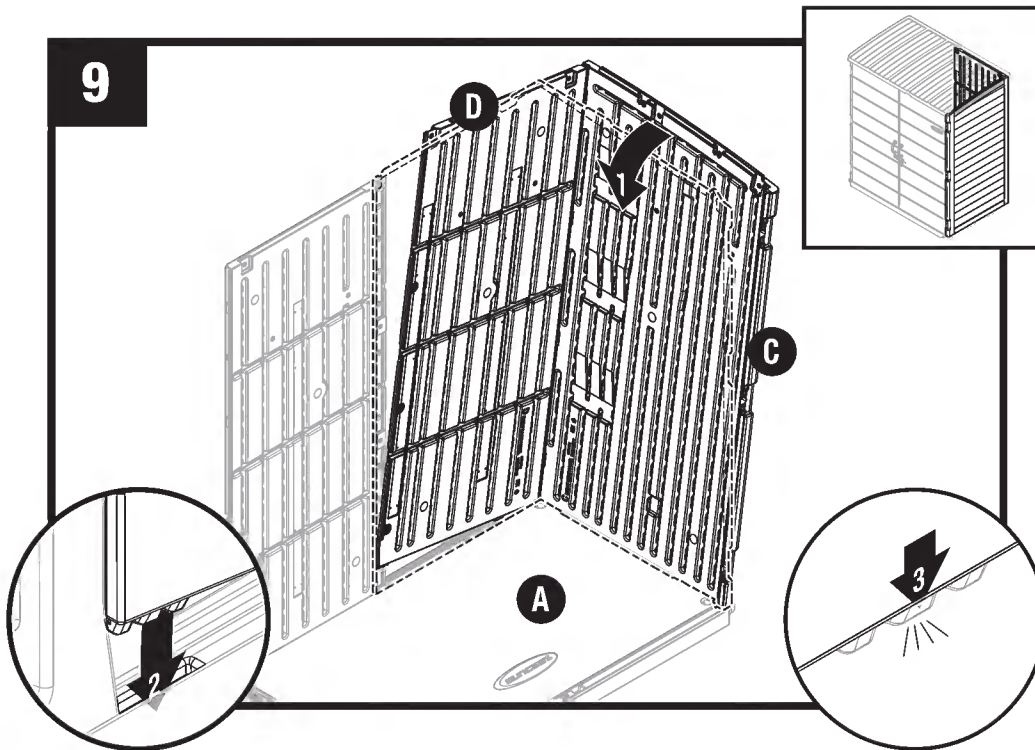
Incline el panel derecho (C) hacia afuera.



 En ángulo, alinee las pestañas del lado del panel posterior derecho (D) con las ranuras del panel lateral derecho (C). Retraiga el panel posterior derecho hacia adentro y hacia abajo en el panel lateral derecho para asegurarlo.

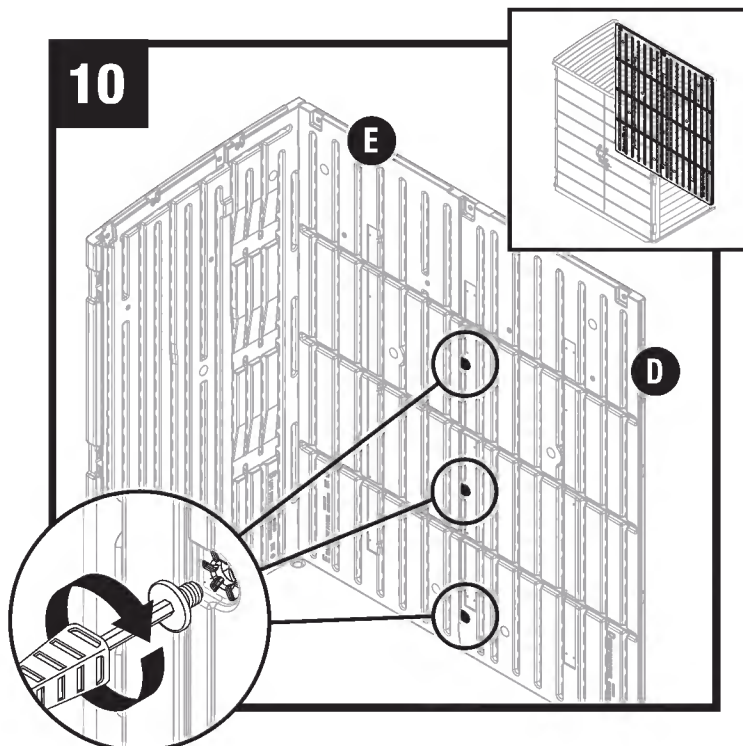


## Ensamblaje: paredes (a continué)



Incline el panel posterior derecho (D) y el panel lateral derecho (C) de nuevo a la posición vertical (bajando las pestañas del panel posterior derecho en las ranuras del piso (A). Las pestañas del panel posterior derecho se "ajustarán" en su lugar cuando estén en la posición correcta.

**Nota:** El panel lateral izquierdo no se muestra para mayor claridad.



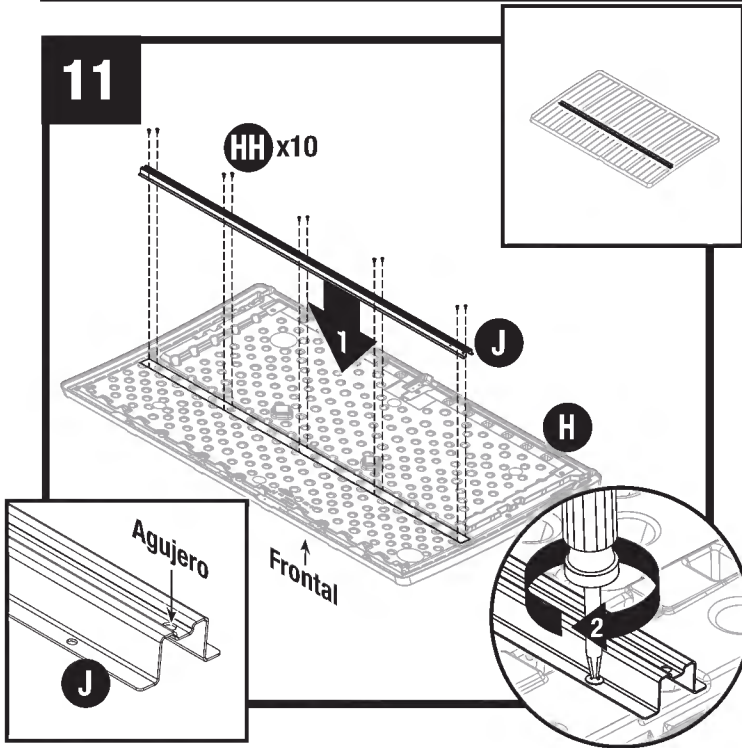
Asegure los paneles posteriores (E, D) juntos usando tres pernos de fácil inserción (EE) de abajo hacia arriba. Use la herramienta de fácil uso para perno de fácil inserción (FF) para apretarlo a mano. La cabeza del perno de fácil inserción estará enrasada cuando esté completamente asentada.

**No** apriete demasiado los pernos de fácil inserción.

**Nota:** La ubicación del perno de fácil inserción superior se instalará en un paso posterior.

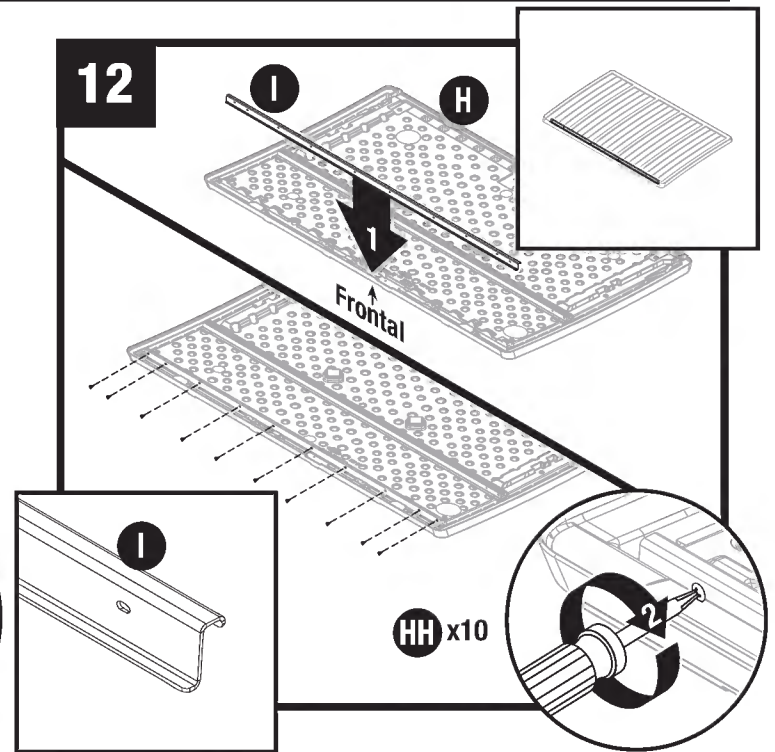
**Nota:** El panel lateral derecho no se muestra para mayor claridad. Es posible que escuche un "clic" cuando el perno de fácil inserción se ajuste completamente.

# Ensamblaje: techo



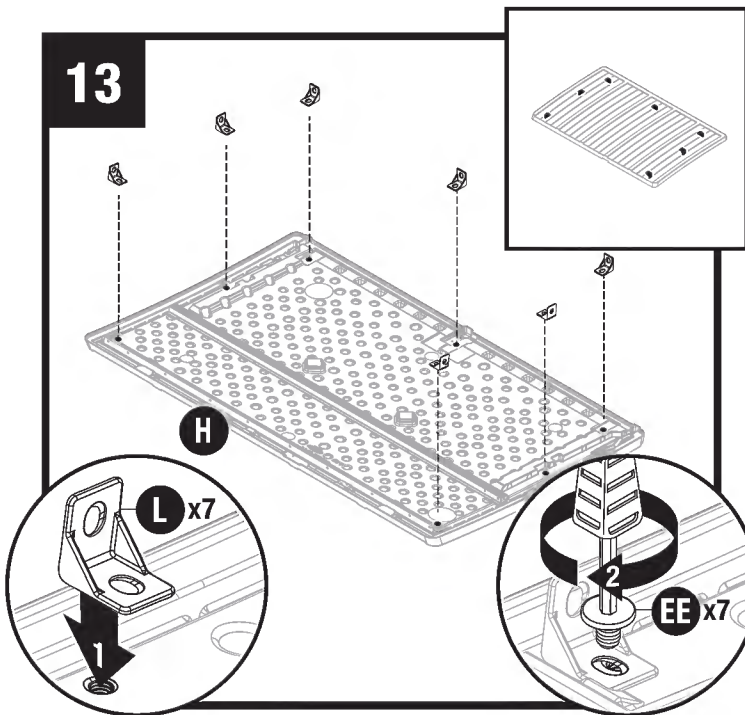
Coloque el techo en una superficie plana y baje el soporte (J) para colocarlo en el canal de la parte inferior del panel del techo (H). Para la orientación correcta, el orificio superior del soporte de apoyo (J) debe quedar en el lado derecho. Alinee los orificios de la pata del armazón con los balancines del panel del techo. Fije el soporte con diez tornillos (HH).

**Nota:** El soporte se debe instalar en la orientación que se indica arriba. El techo no encajará si el soporte se instala al revés.

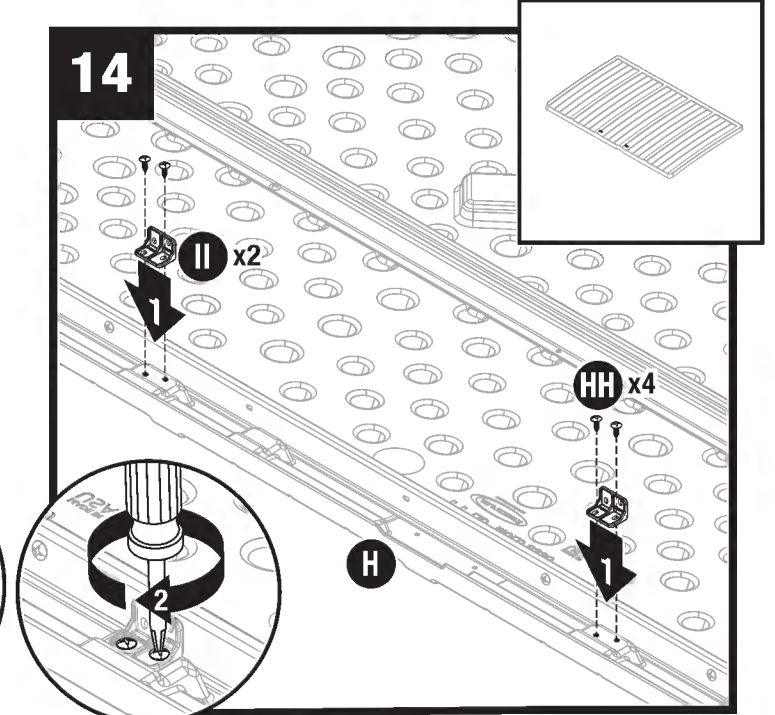


Baje el riel S (I) hasta la posición en el techo (H). Fije con diez tornillos (HH). La orientación correcta del soporte en S (I) se muestra arriba.

**Nota:** No hay agujeros previamente perforados en el techo. Al comienzo, atornille con fuerza los tornillos autorroscantes. Una vez que el tornillo perfora el plástico se atornillará más fácilmente.



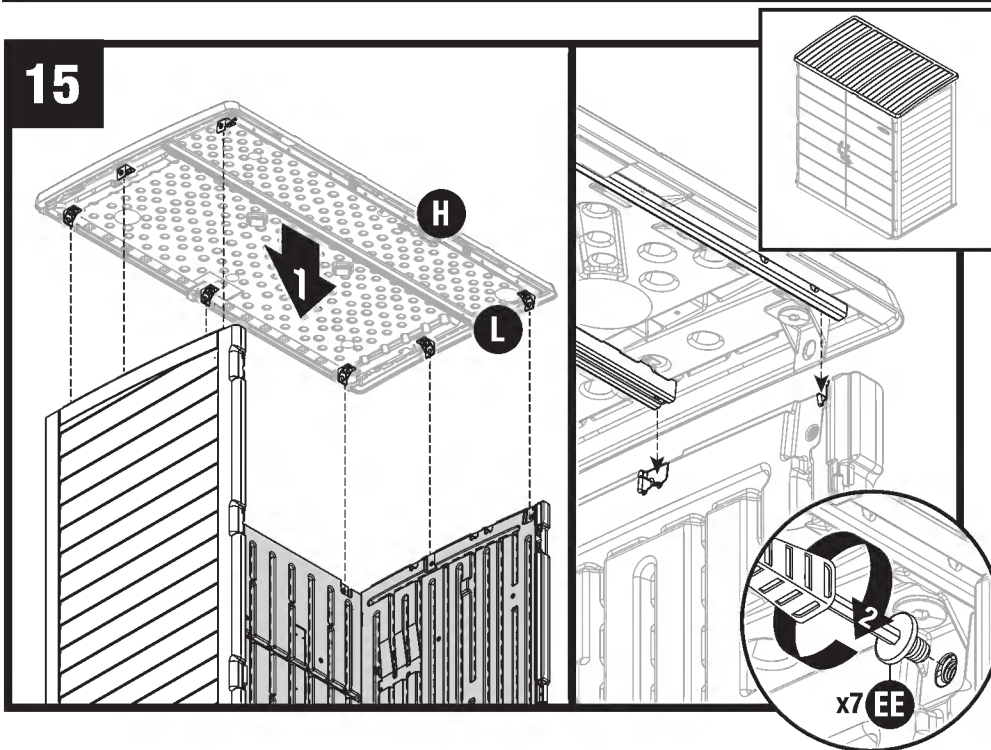
Baje el soporte del techo (L) hasta su posición en el techo. Asegure el soporte con un perno de fácil inserción. Use la herramienta de fácil uso para perno de fácil inserción (FF) para apretarlo a mano. La cabeza del perno de fácil inserción estará enrasada cuando esté completamente asentada. **No** apriete demasiado los pernos de fácil inserción.




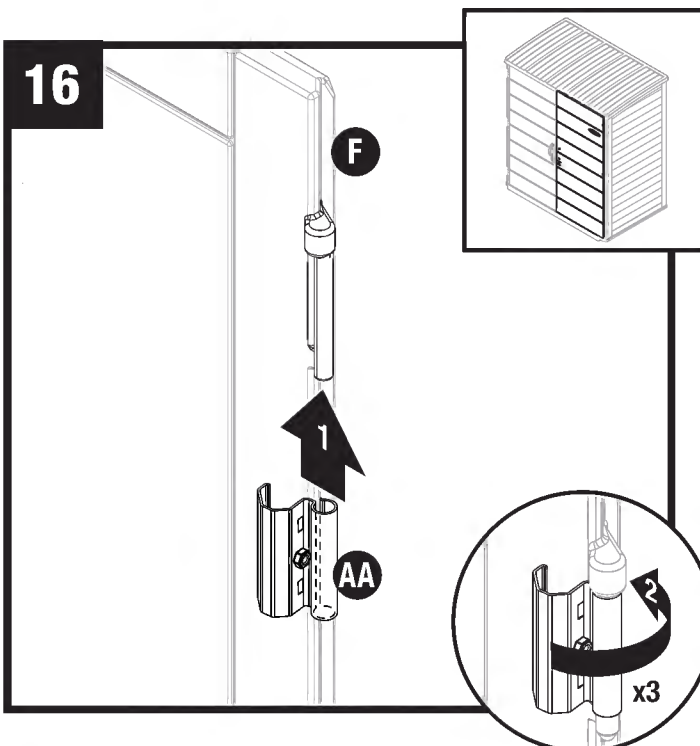
Fije los soportes del sujetador de la puerta (II) a la parte inferior del panel del techo (H) con dos tornillos (HH).


**Nota:** La parte vertical del soporte debe orientarse hacia el interior del cobertizo.

# Ensamblaje: techo / puertas

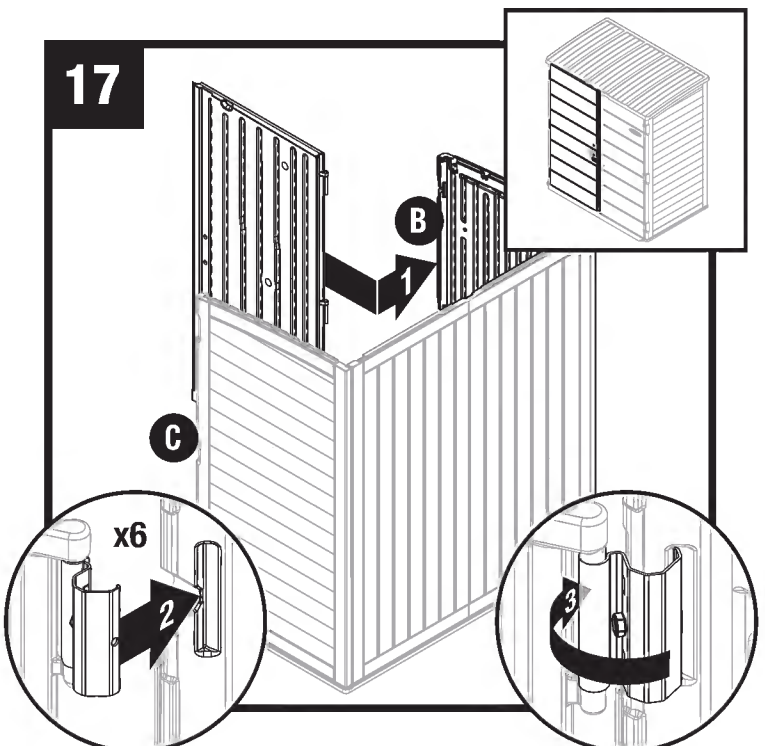



 Baje el panel del techo (H) y alinee los soportes del techo (L) con los orificios en las paredes. Los largueros de entramado y el riel S premontados al techo caben en muescas en los paneles laterales (esto ayuda a alinear el techo correctamente). Asegure el soporte con siete pernos de fácil inserción (EE). Use la herramienta de fácil uso para perno de fácil inserción (FF) para apretarlo a mano. La cabeza del perno de fácil inserción estará enrasada cuando esté completamente asentada. **No apriete** demasiado los pernos de fácil inserción.



 Coloque la puerta derecha (F) en posición vertical con los soportes de bisagra hacia la derecha. Deslice una placa de bisagra metálica (AA) en cada soporte de bisagra. Gire las placas de bisagra de metal para abrir la posición.

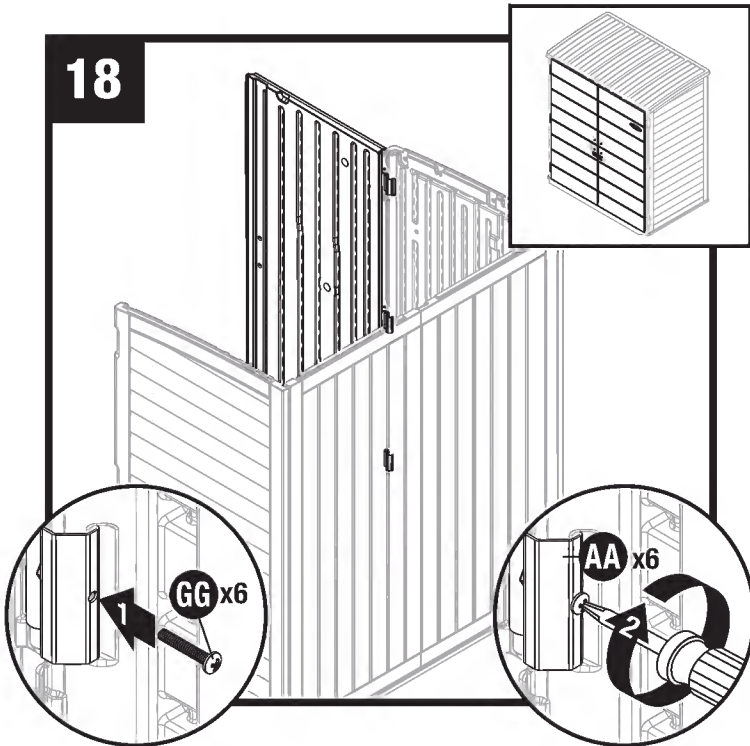
Repita para la puerta izquierda (G)




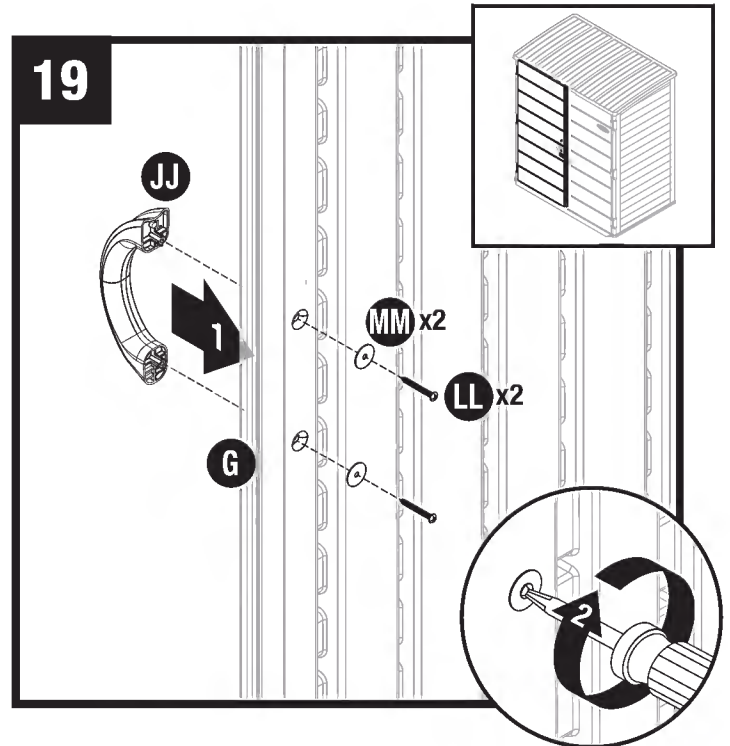
 Deslice una placa de bisagra metálica sobre cada uno de los seis receptáculos de bisagra en el interior de los paneles laterales (B) y (C).



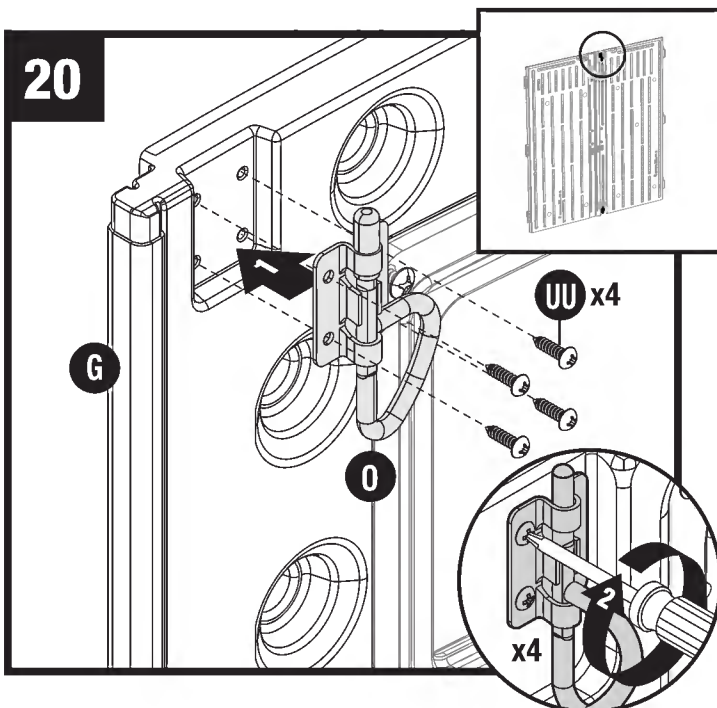
# Ensamblaje: puertas



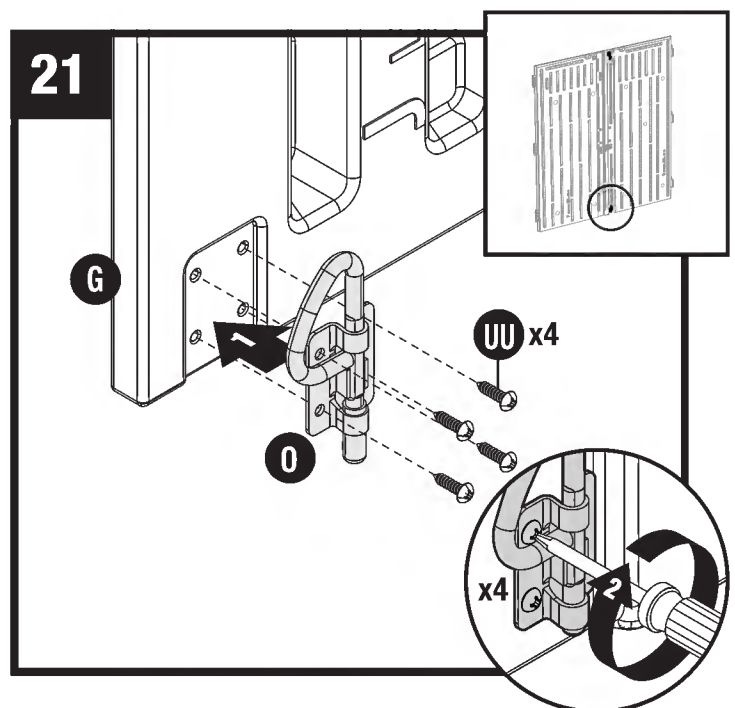
 Asegure cada bisagra de la puerta (AA) con un tornillo (GG).



Fije el mango izquierdo (JJ) a la puerta izquierda (G) utilizando arandelas (MM) y tornillos (LL). Repita para la puerta derecha (F) y el mango de la puerta derecha (KK).



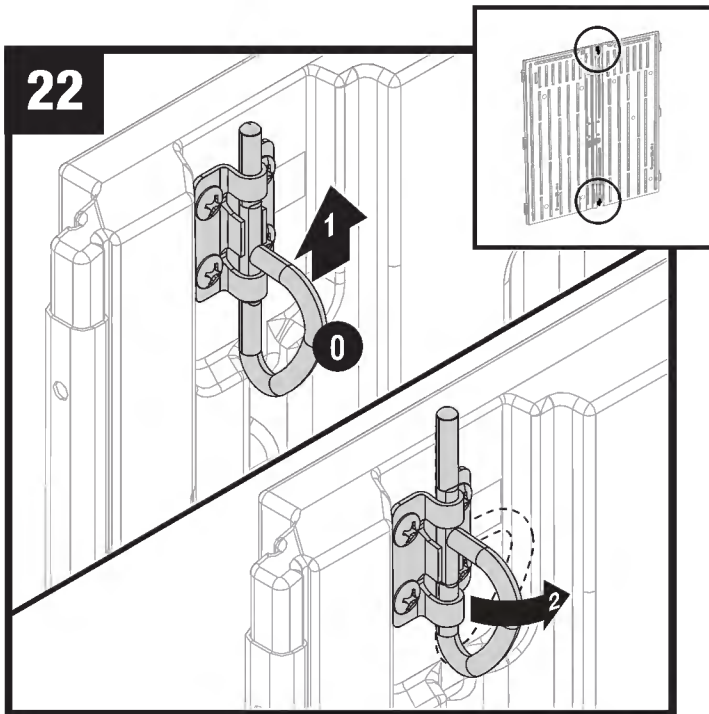
En el lado interior superior de la puerta izquierda (J), coloque un pestillo con anillo D (O) con cuatro tornillos (UU) a través de los agujeros existentes.



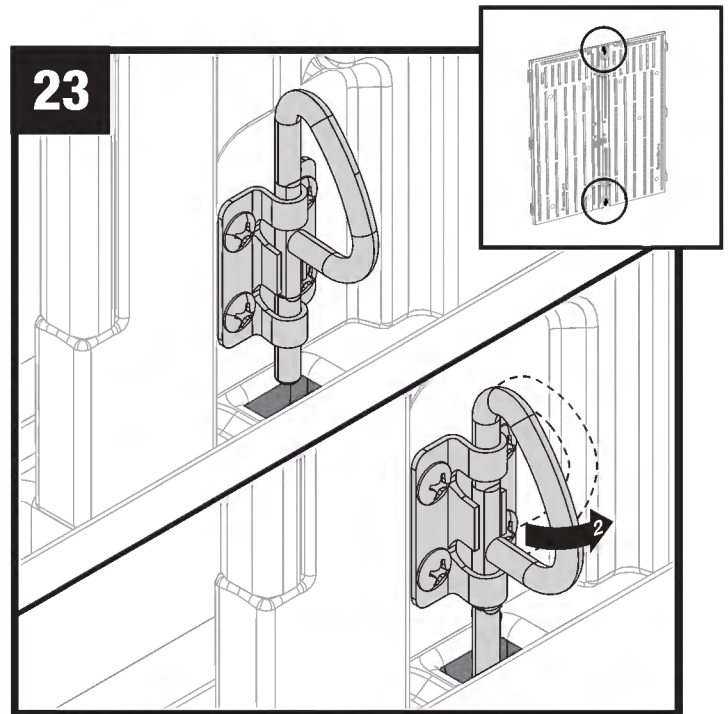
En el lado interior inferior de la puerta izquierda (J), coloque un pestillo con anillo D (O) con cuatro tornillos (UU) a través de los agujeros existentes.



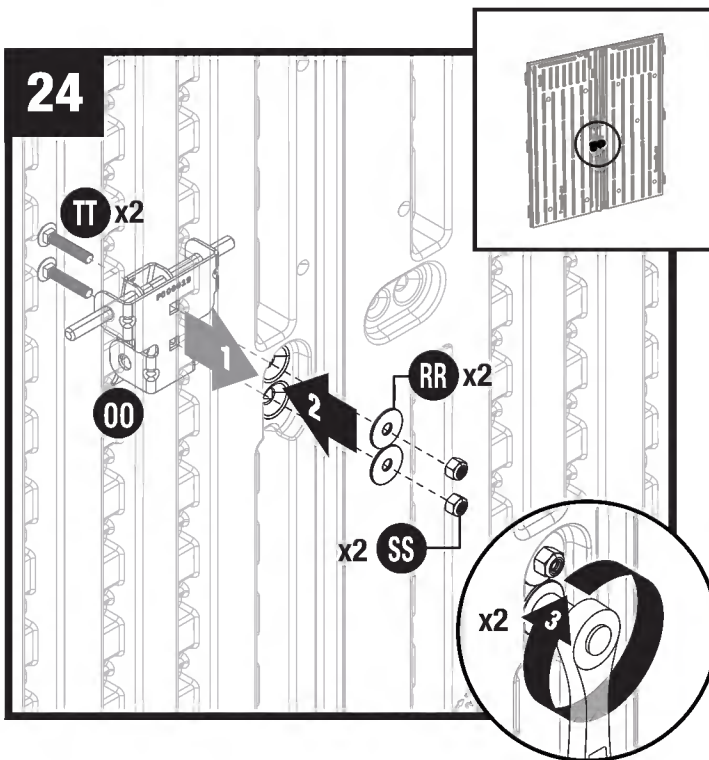
## Ensamblaje: puertas (a continué)



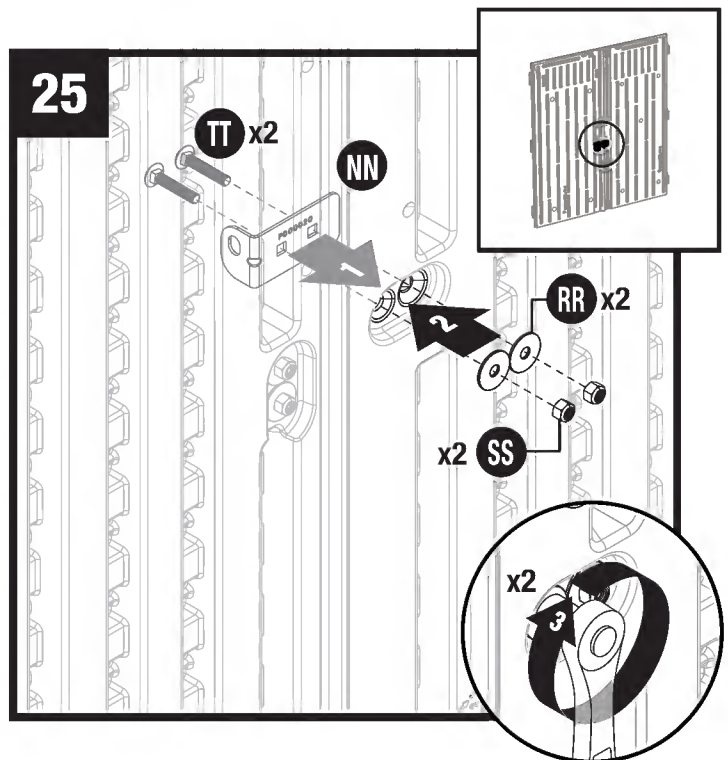
Levante el anillo D superior (0) hasta que enganche al frente del aguilón. Gire el anillo D hacia la derecha a la posición trabada



Empuje el anillo D (0) hacia abajo para engancharlo con el agujero en el piso. Gire el anillo D hacia la derecha a la posición trabada.

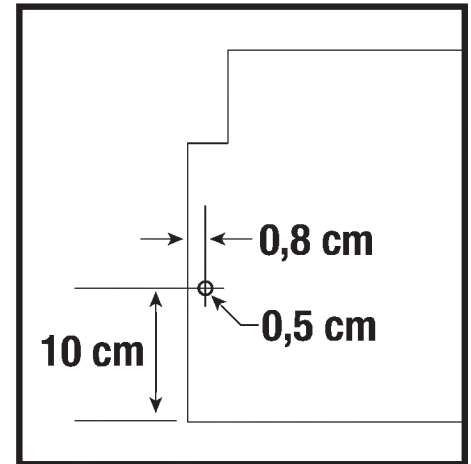
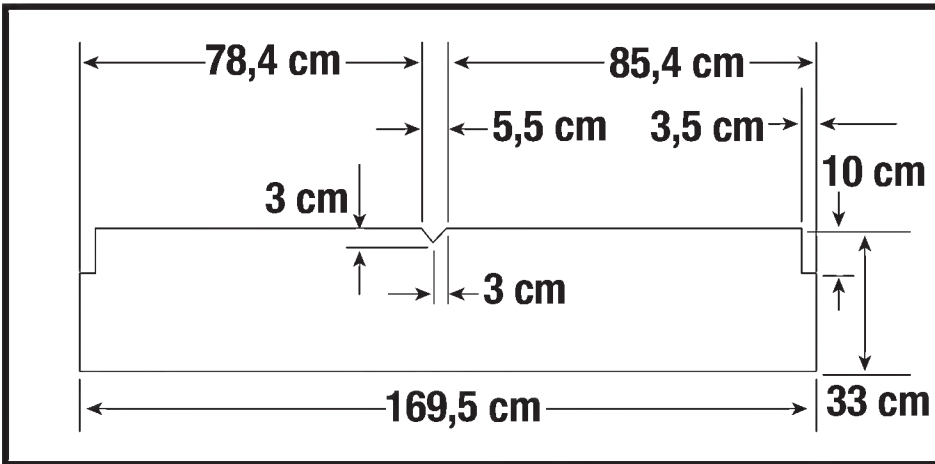


Inserte dos tornillos (TT) dentro de la placa del pestillo el derecho (OO) y a través de la puerta **derecho**. Los tornillos deberán pinche a través de una fina capa de plástico para atravesar la puerta. Sujutando la placa en su lugar en el exterior de la puerta, asegure cada tornillo con dos arandelas (RR) y dos tuercas de cierre (SS).

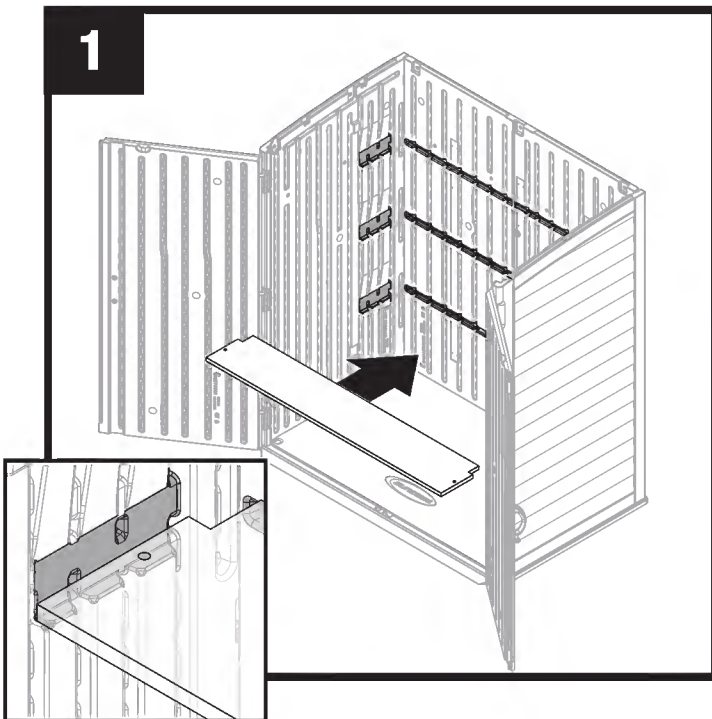


Inserte tornillos (TT) dentro de la placa del pestillo izquierdo (NN) y a través de la puerta **izquierdo**. Los tornillos deberán pinche a través de una fina capa de plástico para atravesar la puerta. Sujutando la placa en su lugar en el exterior de la puerta, asegure cada tornillo con dos arandelas (RR) y dos tuercas de cierre (SS).

## Estante interior de madera opcional (materiales no incluidos)

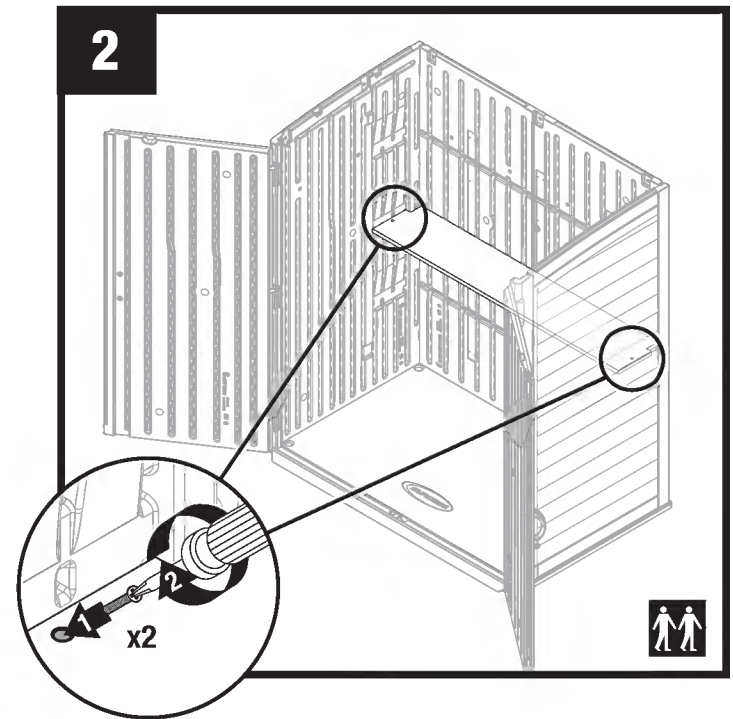


- Se pueden agregar tres estantes de madera opcionales a su cobertizo de almacenamiento.
- Corte los estantes de madera de 2 cm de espesor usando las dimensiones anteriores.
- Perfore un orificio piloto de 0,5 cm a cada lado del estante.



Coloque el estante en el cobertizo. El estante debe estar completamente asentado en soportes de estantes en los paneles laterales y posteriores.

**Nota:** El techo no se muestra para mayor claridad.



Para asegurar el estante, inserte un tornillo para panel de yeso #8 x 3 cm (no proporcionado) a través de cada orificio piloto y en los paneles laterales.

**Nota:** Presione hacia adentro los paneles laterales si es necesario para asegurar el estante completamente asentado en los soportes del estante en los paneles laterales y traseros.

# BMS6282 Storage Shed

収納シェッド(物置)

## BMS6282 조립 설명서

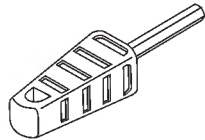
組立て説明書



설치에 필요한 공구  
設置に必要な工具



키트에 포함된 항목  
キットに含まれてい  
るもの



**Easy Bolt Easy Driver**  
イージーボルト専用ドライバー

010210410



English	3
Français	19
Español	35
한국어	53
日本	69

**SUNCAST**

Smart. Inside & Out®

# 제품을 등록하여 한정 보증을 받아보세요

구매 후 90일 이내에 제품을 한정 보증에 등록해야 합니다.

## 限定保証を有効にするために、お求めの製品をご登録ください!

お求めの製品を限定保証の対象とするためには、ご購入後90日以内に、製品登録が必要です。



업데이트된 한정 보증을 위한 스캔

最新の限定保証をスキャンする

[www.suncast.com/warranty](http://www.suncast.com/warranty) 또는 전화 +1 (800) 846-2345

[www.suncast.com/warranty](http://www.suncast.com/warranty) にアクセス、または +1 (800) 846-2345 (米国) までお電話ください

## 질문이 있으십니까?

저희가 도와드리겠습니다. 유용한 팁, 동영상, FAQ 가 있는 리소스 라이브러리를 살펴보기 바랍니다.

콜센터에 : +1 (800) 846-2345 로 직접 전화하시거나 아래 주소로 우편을 보내실 수 있습니다

Suncast Corporation, Contact Center, 701 N. Kirk Road, Batavia, IL 60510 (USA)

## お問い合わせ

サンキャストではさまざまな形でお客をサポートしています。また、当社のサイトでは、役立つヒント、動画、よくある質問などのリソースをご紹介します。

コンタクトセンター +1 (800) 846-2345 (米国) に直接お電話いただくか、以下の住所にご質問を郵送いただくこともできます

Suncast Corporation, Contact Center, 701 N. Kirk Road, Batavia, IL 60510 (USA)

Suncast 교체 부품 구매와 기타 Suncast 제품 정보는 온라인이나 유선전화  
サンキャストの交換部品の購入やその他のサンキャスト製品については、  
オンラインまたはお電話でお問い合わせください。



[www.suncast.com](http://www.suncast.com)

+1-800-846-2345 또는

+1-630-381-6309 에 문의하십시오.


1-800-846-2345 または

1-630-381-6309 (どちらも米国の電話番号になります)。





## 시작 전 주의사항

- 창고 건축에 필요한 각종 허가를 현지 당국에 확인하십시오.  
창고 시공에 앞서, 현지 건축 법규 관리와 함께 필요한 모든 허가 또는 건축 제한사항을 검토하십시오.
- 창고 시공을 시작하려면 평평하고 견고한 장소를 먼저 파악해야 합니다.  
설명서에 기재된 현장 준비 정보를 검토한 후에 조립을 시작하십시오.
- 조립 전에 설명서를 철저히 읽으십시오.  
본 키트에는 올바르게 조립하지 않거나 잘못된 순서로 조립하면 손상될 수 있는 부품이 들어있습니다.
- 설명서를 따르십시오.  
Suncast는 잘못된 조립으로 인해 손상되거나 손실된 부품에 대해서는 교체할 책임을 지지 않습니다.
- 조립 과정 전체에 걸쳐 지원 인력이 필요합니다. 

## 중요

먼저, 상자를 모두 열어 부품을 깔끔하게 펼쳐놓아야 합니다. 소형 부품은 각각의 상자에 포함되었을 수도 있습니다. 본 설명서의 부품 목록에 기재된 부품이 모두 있는지 확인하십시오.

모든 부품의 포장은 현장 준비와 기초공사를 완료한 후에 풀어야 합니다.



## 주의

- 필요한 현장 준비 작업을 올바르게 수행해야 합니다.
- 본 창고는 극한의 기후 조건에서 사용하도록 설계되지 않았습니다.
- 인화성 화학물질이나 부식성 화학물질을 본 창고에 보관할 수 없습니다.
- 무거운 물품은 창고 바닥 근처에 보관하십시오.
- 본 창고는 어린이용이 아닙니다.
- 저장창고 지붕 위에 서거나, 앉거나, 지붕에 물품을 보관하지 마십시오.
- 극한 온도에서는 조심스럽게 다루십시오.
- 파손된 부품은 즉시 수리하거나 교체하십시오.
- Suncast는 날씨나 오용으로 인한 손상에 대해서는 책임을 지지 않습니다.
- 조립체의 무결성을 유지하기 위해서 창고를 정기적으로 검사하십시오.
- 창고를 설치하기로 선택한 위치가 평평한지 여부를 주기적으로 확인하십시오.
- 본 키트에는 금속 재질 모서리가 있는 부품이 담겨있습니다. 취급 시 주의하시기 바랍니다.



## 창고 안전 및 관리

- 최근에 사용한 석쇠, 토치램프 등의 뜨거운 물품은 절대로 창고에 보관해서는 안 됩니다.
- 무거운 물품은 벽에 기대어 놓지 마십시오. 패널이 비뚤어지거나 영구적으로 손상될 수 있습니다.
- 지붕에 눈과 낙엽이 쌓이지 않게 하십시오.
- 창고 벽과 지붕 외부는 비닐 홈 사이딩처럼 질감이 있습니다. 시간이 흐르면서 이 부분에 먼지가 쌓일 수도 있습니다. 여기에 습기가 더해지면 창고에서 이끼와 곰팡이가 생길 수도 있습니다. 창고 외관을 유지하기 위해 매년 순한 비누와 물로 세척할 것을 권장합니다.  
표백제, 암모니아, 기타 가성 세제는 사용하지 마십시오. 뻣뻣한 모로 만든 솔도 사용하지 마십시오. 매년 청소하지 않으면 플라스틱에 얼룩이 영구적으로 남을 수 있습니다. 이는 제조상의 결함이 아니므로, 보증이 적용되지 않습니다.

## 조립 당일 관련 조언

- 현장 준비와 기초공사를 먼저 완료한 후에 부품 포장을 풀고 조립을 시작하십시오.
- 강한 바람이 부는 날에는 조립을 시도하지 마십시오.
- 온도가 32도 미만인 날에는 조립을 시도하지 마십시오.
- 창고를 완전히 조립할 수 있도록 충분한 시간을 가지십시오. 조립 시간은 약 3시간입니다.
- 근처에서 부품을 들거나 제자리에 고정해줄 보조 작업자가 있어야 합니다.
- 창고를 조립하는 동안에는 작업용 경량 장갑을 착용하십시오.
- 지붕 조립 후 창고 내부의 소형 구성부품을 조립할 때는 손전등이 유용할 수 있습니다.
- 제공된 Easy Bolt를 조일 때 핸드 드릴을 사용하지 마십시오. 010210410 Easy Bolt Easy Driver 도구(포함)만 사용하십시오.
- Suncast는 고객의 편의를 위해 소형 패스너용 하드웨어를 추가적으로 제공합니다. 일부의 경우, 조립이 완료된 후 소형 패스너 하나가 여분으로 남을 것입니다.

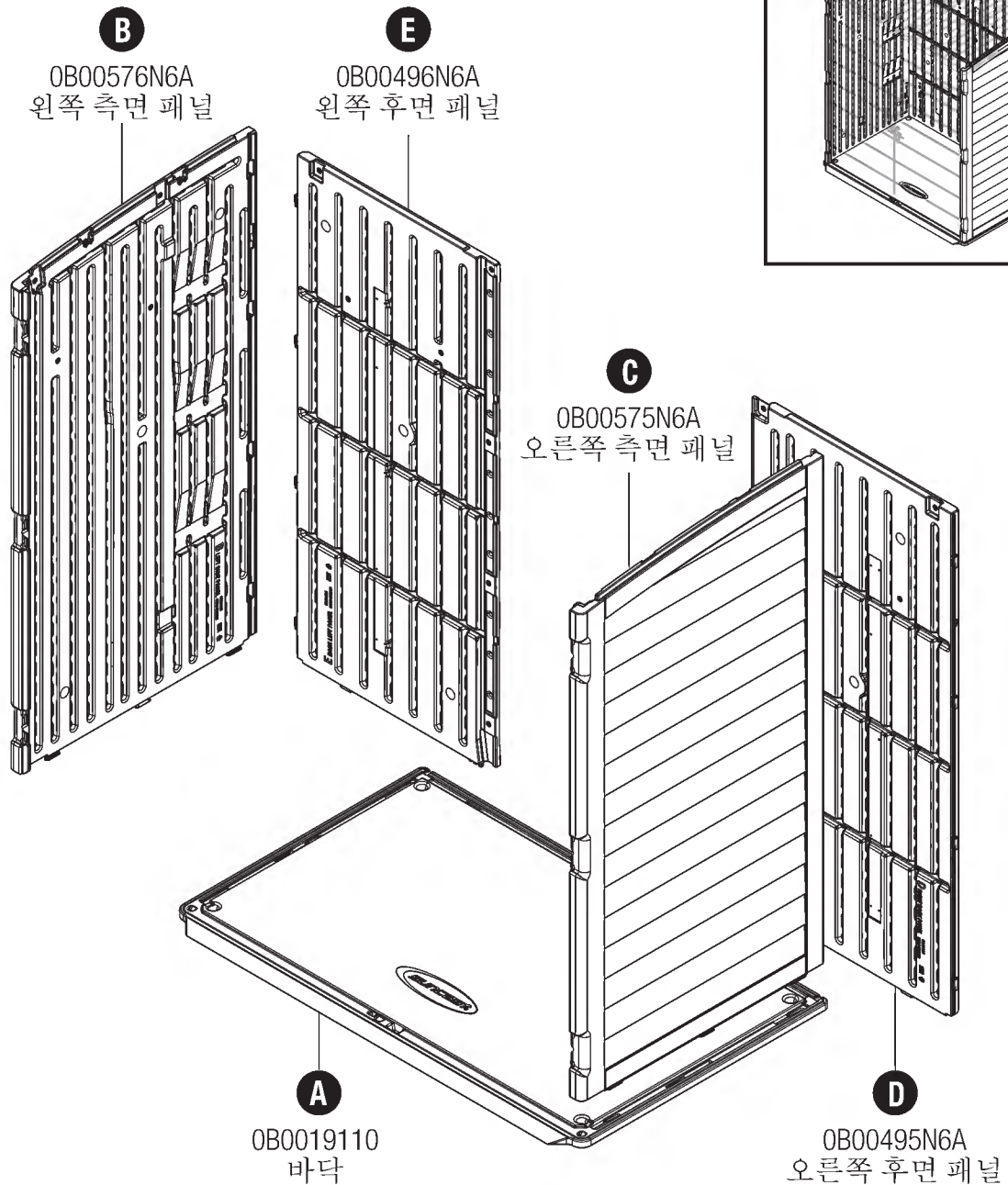
참고: 본 제품에는 창고 시공 시 여러 방향으로 사용할 수 있는 부품이 포함되어 있습니다. 본 취급 설명서에 소개된 부품 방향에 주의하시기 바랍니다. 지침을 따르지 않으면 부품이 손상될 수 있습니다. Suncast는 잘못된 조립으로 인해 손상되거나 손실된 부품에 대해서는 교체할 책임을 지지 않습니다.

## IMPORTANT

먼저 모든 상자를 열어 부품을 깔끔하게 정돈하십시오. 소형 부품은 각각의 상자에 포함되었을 수도 있습니다. 본 설명서의 부품 목록에 기재된 부품이 모두 있는지 확인하십시오.

모든 부품의 포장은 현장 준비와 기초공사를 완료한 후에 풀어야 합니다.

## 부품 - 벽과 바닥

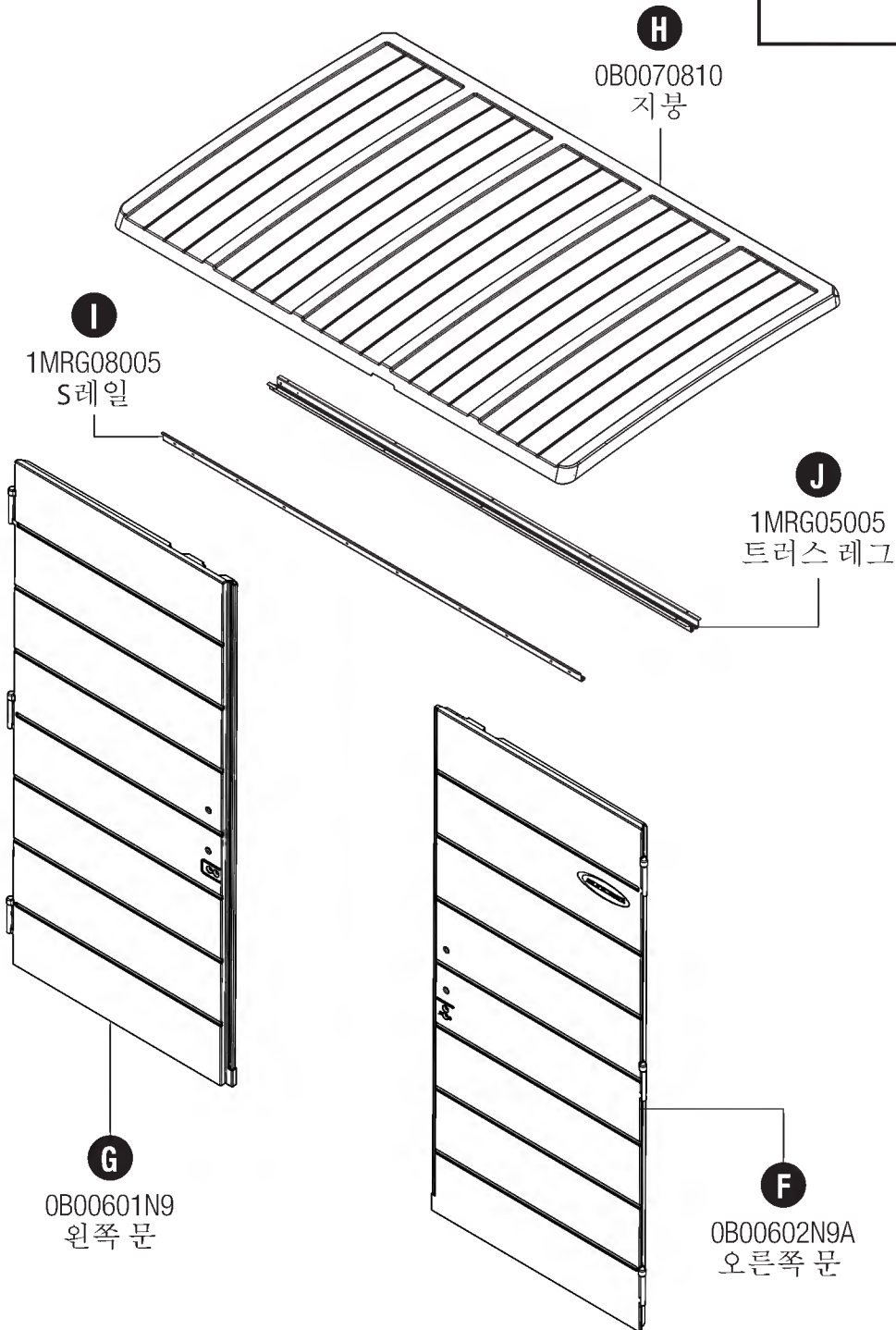
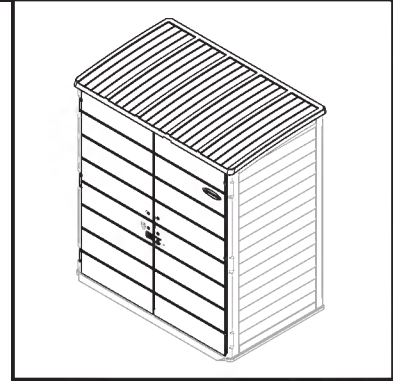


# 부품 - 문

## IMPORTANT

먼저 모든 상자를 열어 부품을 깔끔하게 정돈하십시오. 소형 부품은 각각의 상자에 포함되었을 수도 있습니다. 본 설명서의 부품 목록에 기재된 부품이 모두 있는지 확인하십시오.

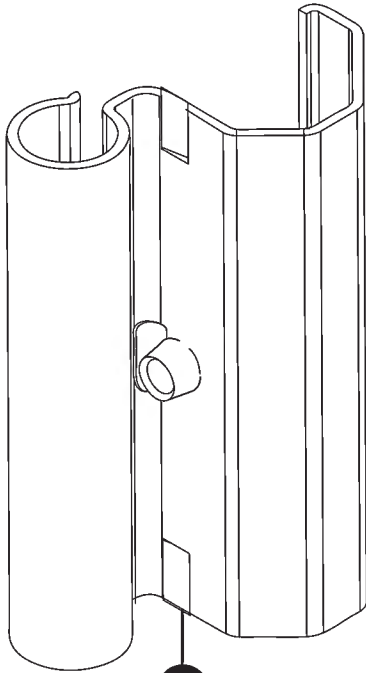
모든 부품의 포장은 현장 준비와 기초공사를 완료한 후에 풀어야 합니다.





# 하드웨어

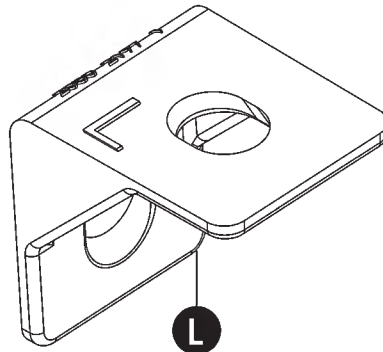
## 0860108 - 경첩 키트



**AA**

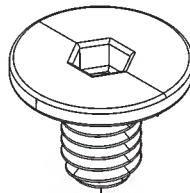
OMP000022  
금속 경첩 플레이트  
x6

## 하드웨어 봉투



**L**

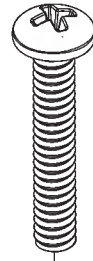
0102197N6  
지붕 브래킷  
x7



**EE**

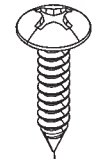
Easy Bolt 7/8"  
x17

## 0480524 - 하드웨어 봉투



**GG**

0631017  
1/4 - 20 x 1-1/2"  
기계 나사  
x7



**HH**

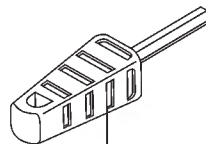
0631149  
#10 x 3/4"  
트러스 헤드 나사  
x28

## 0480452 - 하드웨어 봉투



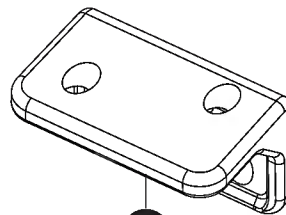
**UU**

0210180  
#8 x 5/8" 나사  
x9



**FF**

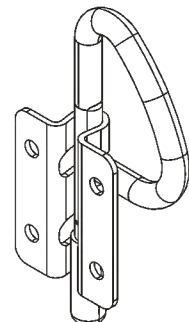
010210410  
Easy Bolt Driver



**II**

0102721  
도어 클립 브래킷  
x2

## 0440631 - 하드웨어 봉투



**O**

0280384  
D링 슬라이드 볼트  
x2

추가 하드웨어가 제공됩니다.  
모두 사용되는 것은 아닙니다.

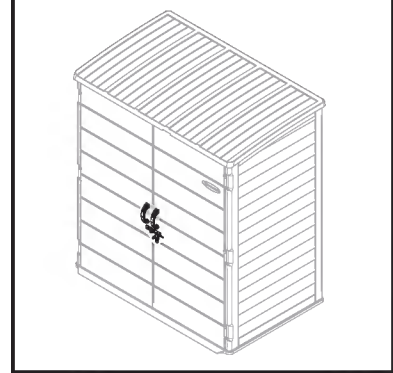
# 하드웨어 - 문 손잡이 키트 부품

## 0464523 - 문 손잡이 키트



**JJ**

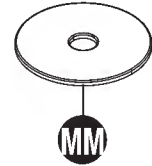
010247910A  
왼쪽 손잡이  
x2



## 0480370 - 하드웨어 봉투

**LL**

0631285  
#10 x 2-1/4"  
팬 헤드 나사  
x4



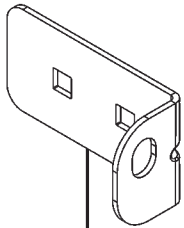
**MM**

0631284  
#10 x 1"  
팬더 와셔  
x4

## 0464504 - 문 고리 키트

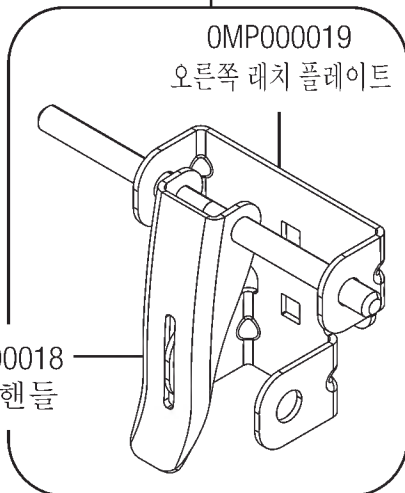
**OO**

문 고리 조립체



**NN**

OMP000020  
왼쪽 고리 플레이트

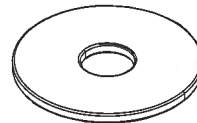


OMP000019

오른쪽 래치 플레이트

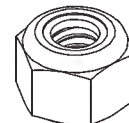
OMP000018  
래치 핸들

## 0480439A - 하드웨어 봉투



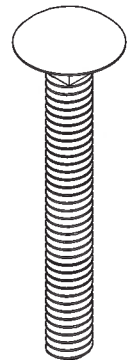
**RR**

0631733A  
1/4" 와셔  
x4



**SS**

0631732A  
1/4" - 20  
잠금 너트  
x4



**TT**

0631734A  
1/4 - 20 x 1-1/2"  
캐리지 볼트  
x4

# 현장 준비 및 플랫폼 시공

창고 키트에 포함되어 있지 않은 재료

참고: 이 창고에는 현장 준비가 필요합니다. 시공한 곳 위에 창고를 올려야 합니다. 시공하지 않으면 침강 현상이 발생하여 창고가 뒤틀려 손상될 수 있습니다. Suncast는 잘못된 조립으로 인해 손상된 부품이나 자산 손실에 대해서는 교체할 책임을 지지 않습니다. 보증에 따라 기초 작업이 필요합니다.

참고: 현장 준비와 기초공사를 먼저 완료한 후에 부품 포장을 풀고 조립을 시작하십시오. 현장 준비 관련 정보는 [www.suncast.com](http://www.suncast.com)을 확인하거나 소매업체에 문의하거나 현지 규정을 참조하십시오.

다음 단계에 따라 창고 현장을 준비하십시오.

- 1) 기초 준비나 창고 시공에 앞서 현지 관할 당국에 건축 법규와 규정에 대해 문의합니다.
- 2) 각종 굴착 작업에 앞서, 현지 공익기업에 케이블, 배관 등의 매설 위치를 확인합니다.
- 3) 원하는 기초 유형을 결정합니다.
  - 4" (102mm) 두께의 콘크리트 슬래브,

또는

- 목재 플랫폼

외장재 등급의 목재를 사용하십시오. 목재 플랫폼은 피어 블록이나 기반 위에 놓아야 합니다. 구체적인 설치를 위한 최고의 정착 공법은 현지 소매업자에게 문의하여 결정합니다. 제공된 도면은 판재 및 합판의 최소 절단부 개수에 맞게 크기가 표시되어 있습니다.

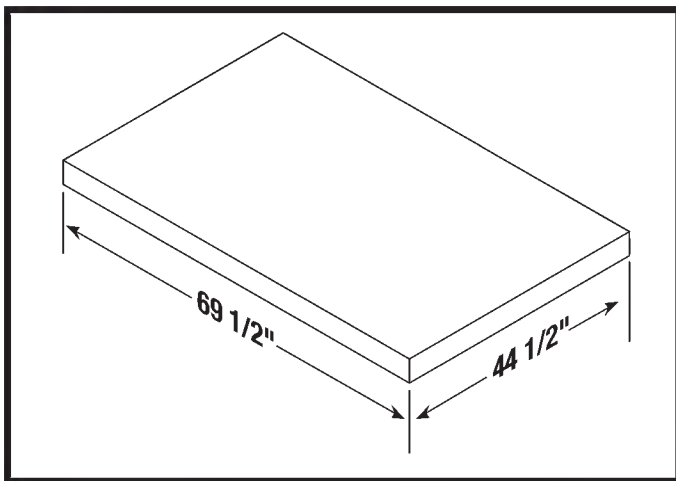
4) 건축 부지를 준비합니다.

- 배수를 위해 지면과 토대 구역 사이에 경사를 두어야 합니다.
- 기초 표면은 평평하고 수평을 이루어야 합니다.
- 창고 안에서 과도한 응결이 이루어지지 않도록 방습층을 설치해야 합니다.
- 올바른 방습층은 현지 건축 법규를 따르십시오.

5) 창고를 토대에 고정시킵니다.

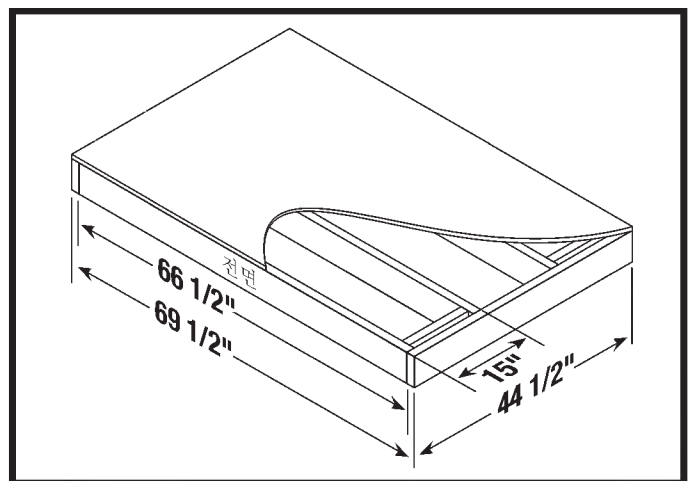
- 구체적인 설치를 위한 최고의 정착 공법은 현지 소매업자에게 문의하여 결정합니다.
- 창고를 콘크리트 슬래브에 고정하려면, 현지 철물점에서 구할 수 있는 조적 공사용 패스너를 사용하십시오.
- 창고를 목재 플랫폼에 고정할 때는 1/4" x 3" 길이의 래그 나사와 와셔를 사용하십시오.

바닥 패널을 콘크리트 슬래브에 고정하기



- 조적 공사용 패스너를 사용해 창고를 콘크리트 슬래브에 고정합니다.
- 양쪽에서 가장 가까이 되도록 1" (2.5 cm) 이내에 맞추어 창고를 고정합니다.

바닥 패널을 목재 플랫폼에 고정하기

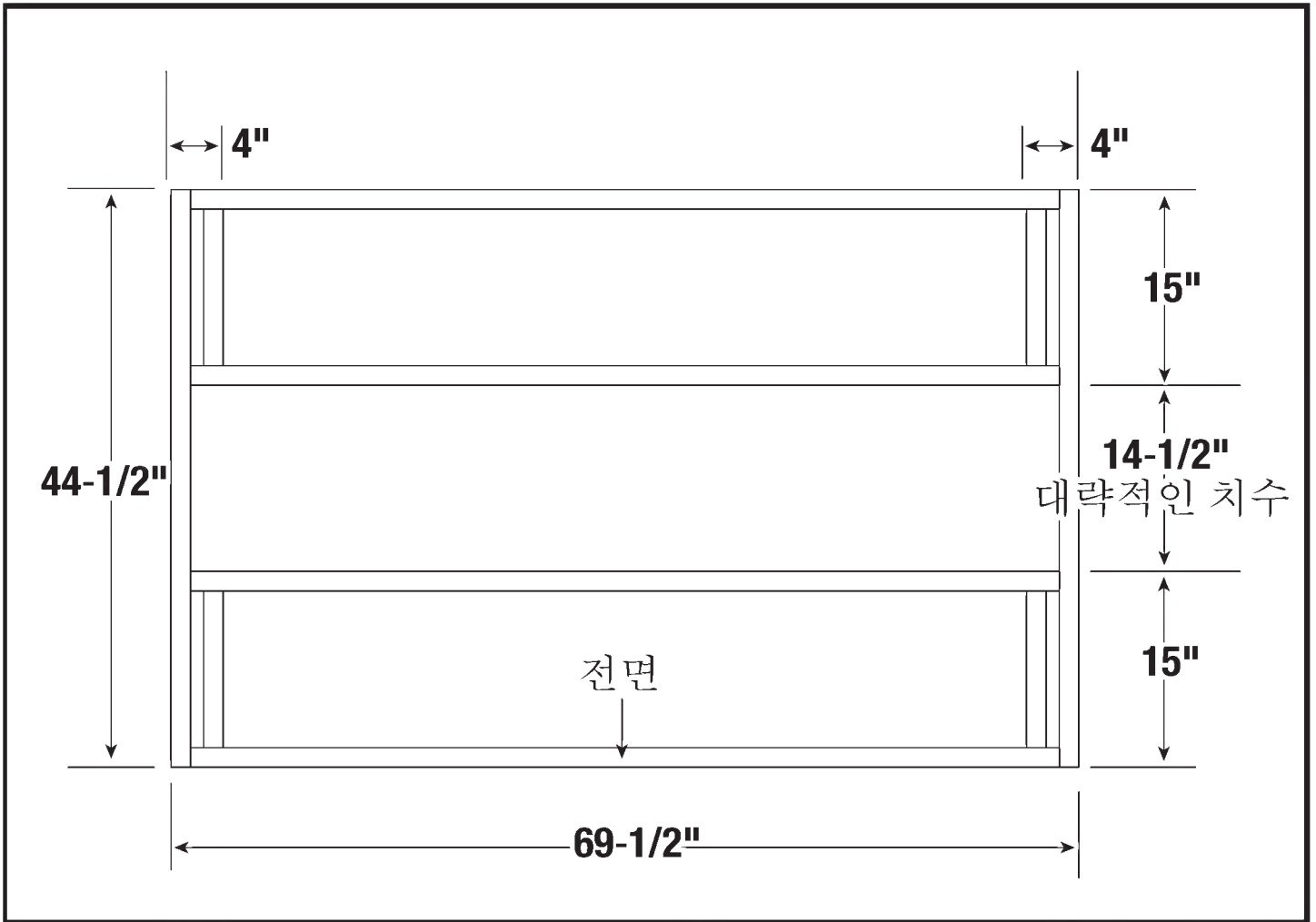


- 1/4" x 3" 래그 나사를 사용해 창고를 목재 플랫폼에 고정합니다.

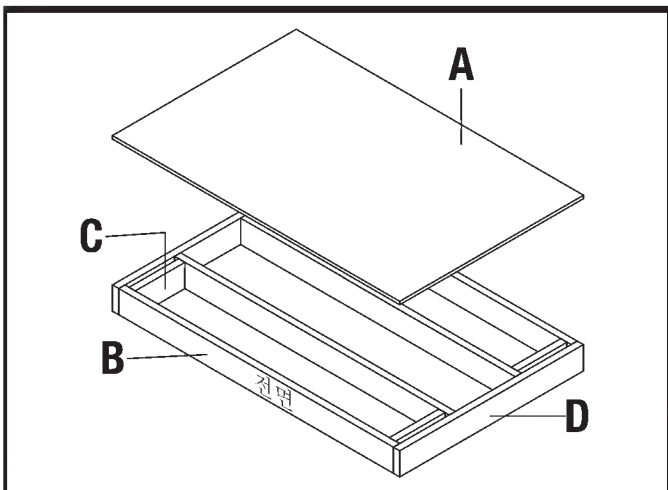
# 현장 준비 및 플랫폼 시공 (계속)

참고 키트에 포함되어 있지 않은 재료

## 목재 플랫폼의 임계 간격



- 임계 간격 치수를 모두 확인하십시오.



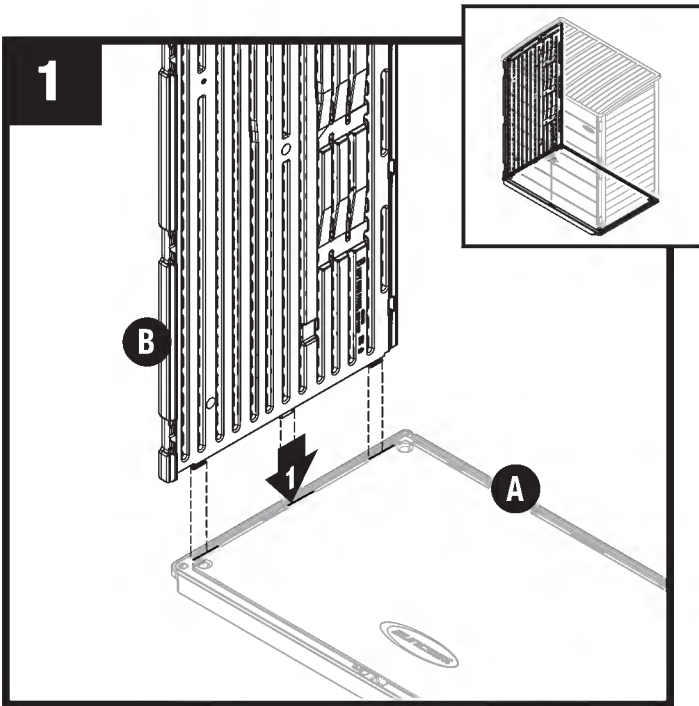
## 재료 목록

품목	수량	크기
A	1	44-1/2" x 69-1/2" x 3/4"
B	4	2" x 6" x 66-1/2"
C	4	2" x 6" x 12"
D	2	2" x 6" x 44-1/4"

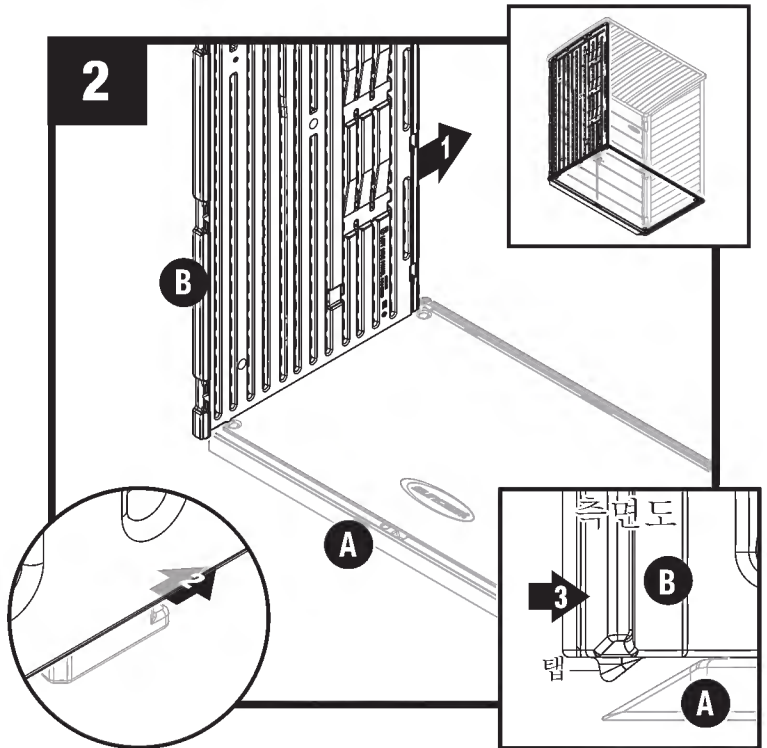
참고: 치수 목재는 실제로는 표시된 크기보다 1/2" (1.27 cm) 작습니다.



# 어셈블리/벽

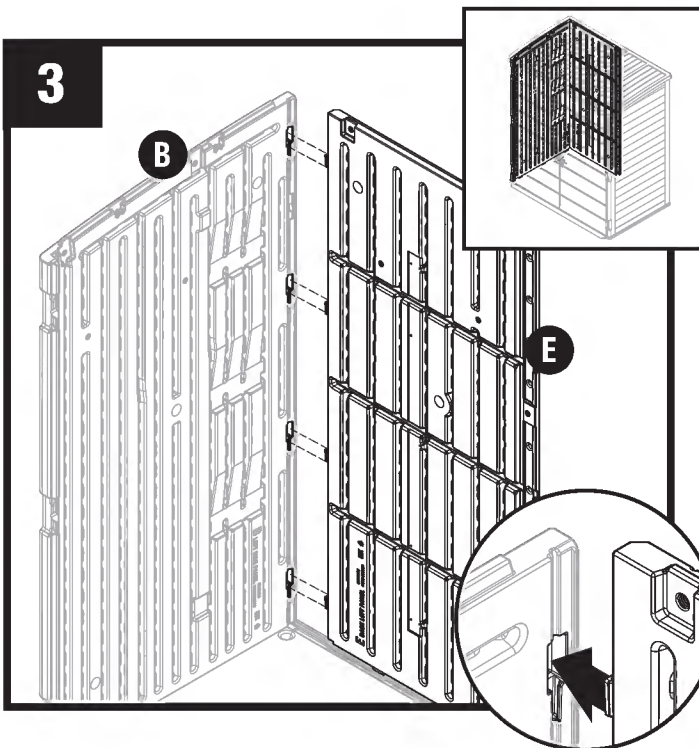


하부 왼쪽 측면 패널(B) 위 탭과 바닥(A) 위 슬롯을 정렬합니다. 패널을 내려 슬롯에 끼웁니다.

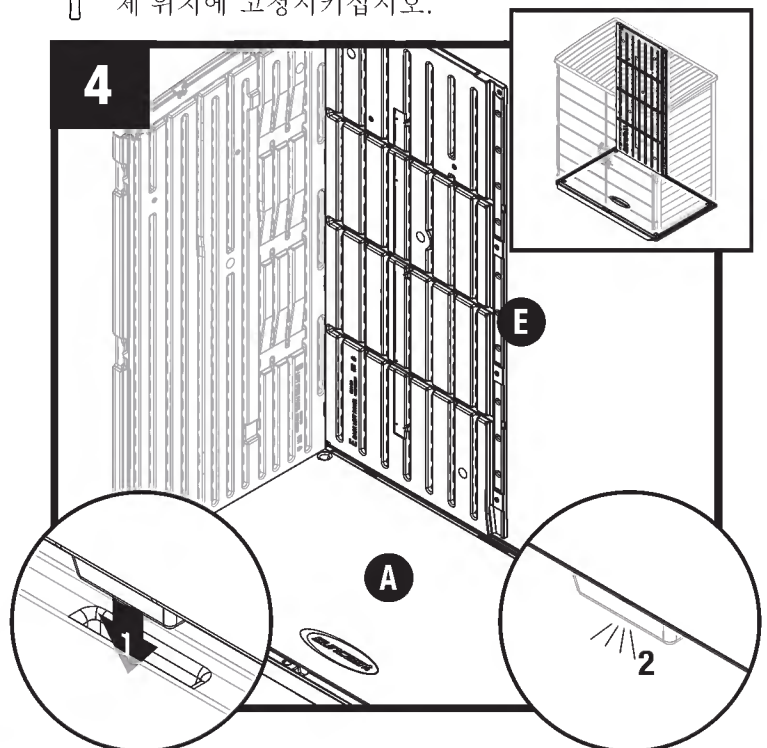


측면 패널(B)을 바닥 패널 후면 방향으로 밀어서 고정합니다(전면 모서리 탭이 제 위치로 밀려들어갈 것입니다).

참고: 고무 망치로 오른쪽 측면 패널(C)을 '눌러서' 제 위치에 고정시키십시오.

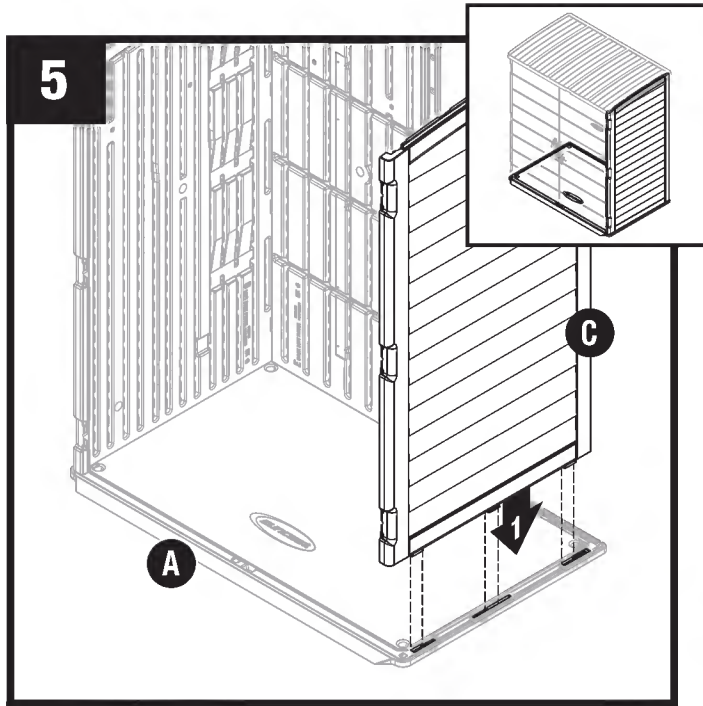



왼쪽 후면 패널(E) 측면의 탭과 왼쪽 측면 패널(B) 위 슬롯을 정렬합니다. 후면 왼쪽 패널을 아래로 밀어서 탭을 왼쪽 측면 패널에 끼웁니다.

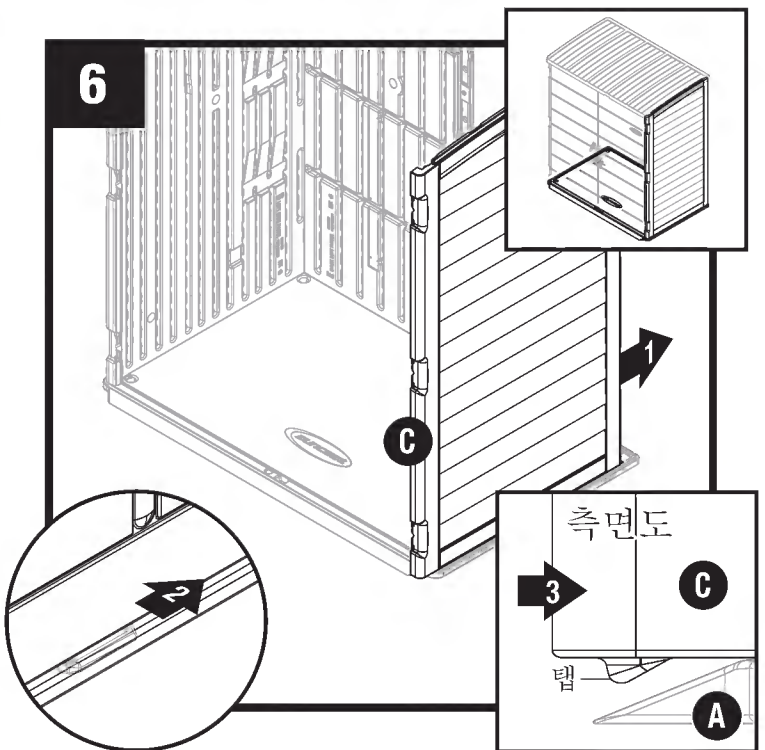



후면 왼쪽 패널(E) 탭을 내려서 바닥(A) 슬롯에 끼웁니다. 후면 왼쪽 패널 탭이 정확한 위치에 끼워지면 '딸깍' 소리가 납니다.


어셈블리/벽 (계속되는)

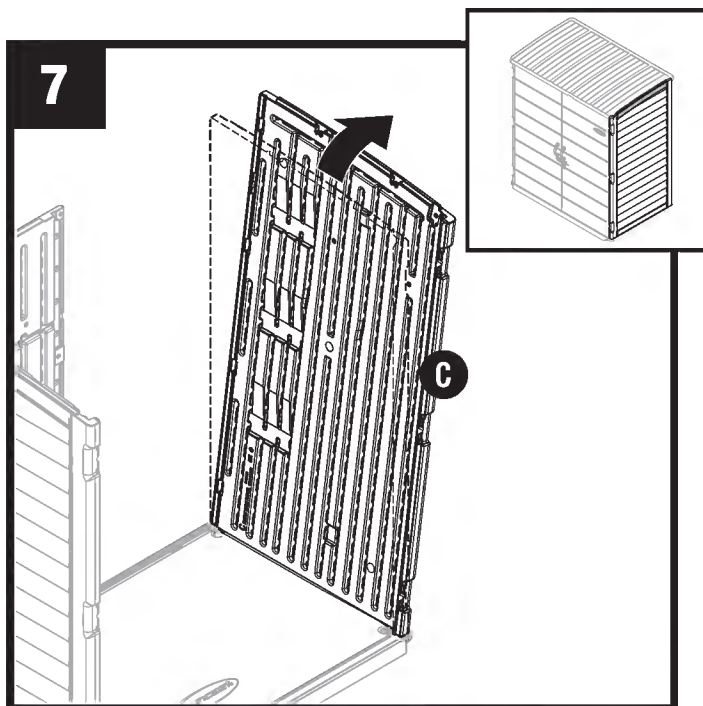


 하부 오른쪽 측면 패널(C) 위 탭과 바닥(A) 위 슬롯을 정렬합니다. 패널을 내려 슬롯에 끼웁니다.

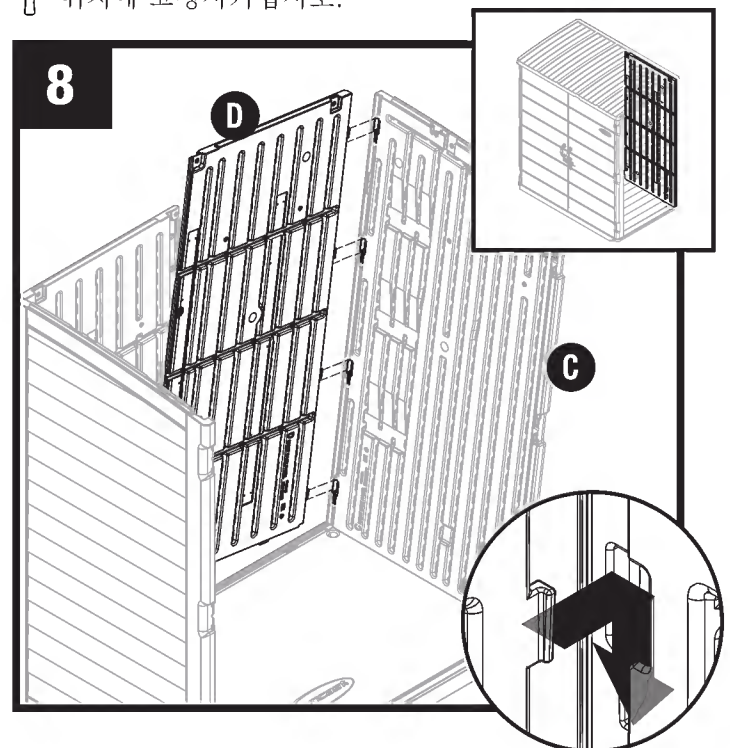



 측면 패널(C)을 바닥 패널 후면 방향으로 밀어서 고정합니다.(전면 모서리 탭이 바닥 위로 미끄러져 제 위치에 삽입될 것입니다.)

 참고: 고무 망치로 오른쪽 측면 패널(C)을 '눌러서' 제 위치에 고정시키십시오.

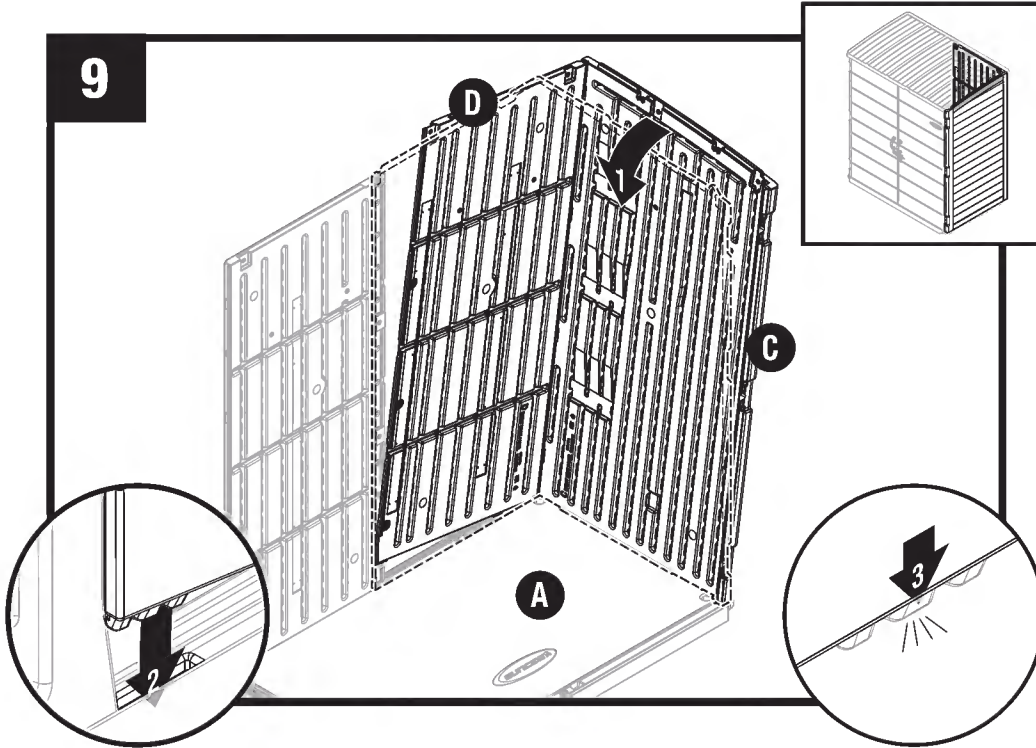


오른쪽 패널(C)을 바깥쪽으로 기울입니다.



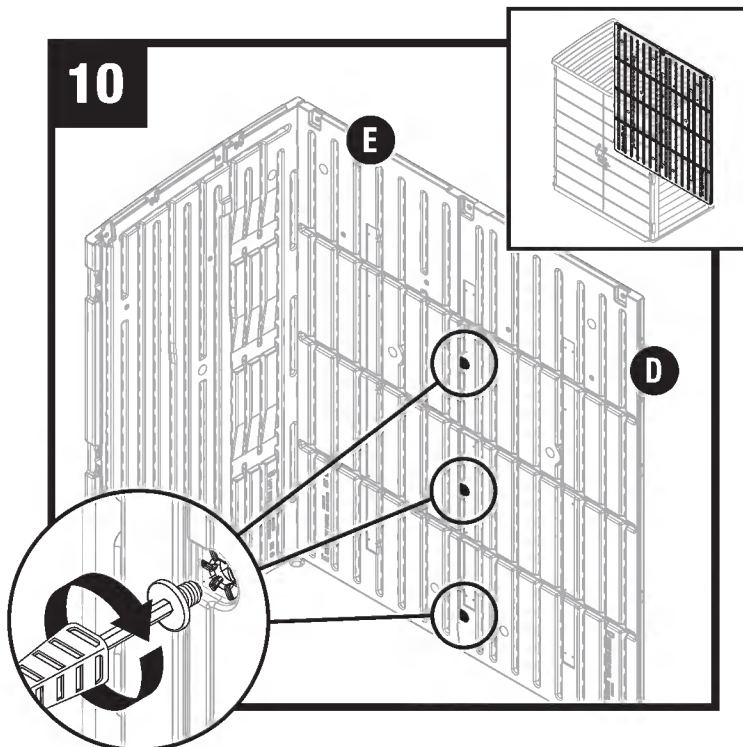
 비스듬한 상태에서 오른쪽 후면 패널(D) 측면의 탭과 오른쪽 측면 패널(C) 위 슬롯을 정렬합니다. 오른쪽 후면 패널을 다시 아래로 밀어서 오른쪽 측면 패널에 끼워 고정합니다.

어셈블리/벽 (계속되는)



오른쪽 후면 패널(D)과 오른쪽 측면 패널(C)을 다시 똑바로 세웁니다(오른쪽 패널 탭 후면을 바닥(A) 위 슬롯으로 내려서 끼움). 후면 오른쪽 패널 탭이 정확한 위치에 끼워지면 '딸깍' 소리가 납니다.

참고: 왼쪽 측면 패널은 표시되어 있지 않습니다.



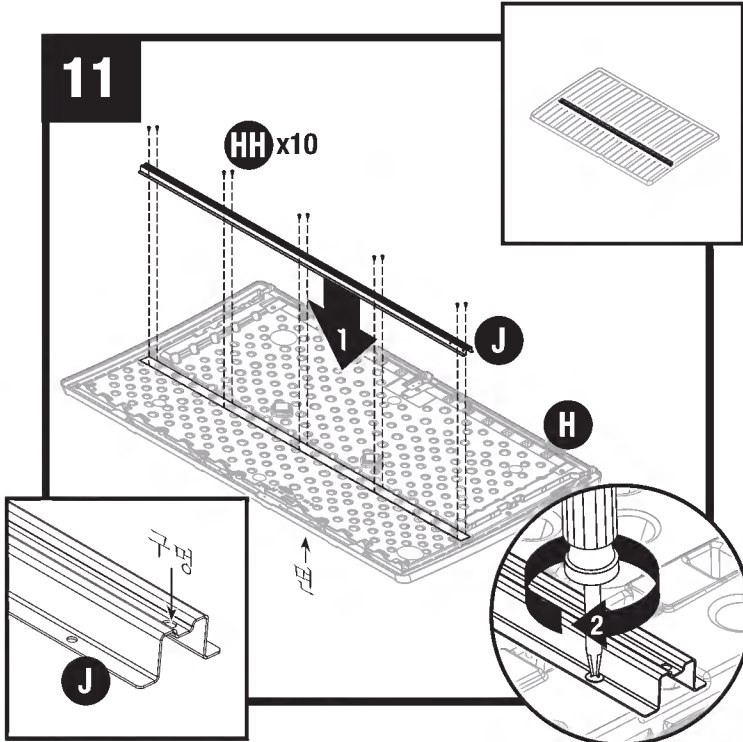
Easy Bolt(EE) 3개를 사용해 하부에서 상부 방향으로 작업하면서 후면 패널(E, D)을 연결합니다. Easy Bolt Easy Driver(FF)를 사용해 손으로 조이십시오. 완전히 고정되면 Easy Bolt 헤드가 동일한 평면상에 옵니다. Easy Bolt를 너무 많이 조이지 마십시오.

참고: 상부 Easy Bolt 위치는 이후 단계에서 고정됩니다.

참고: 오른쪽 측면 패널은 표시되어 있지 않습니다. Easy Bolt가 완전히 조여지면 '딸깍'하는 소리가 들릴 수도 있습니다.

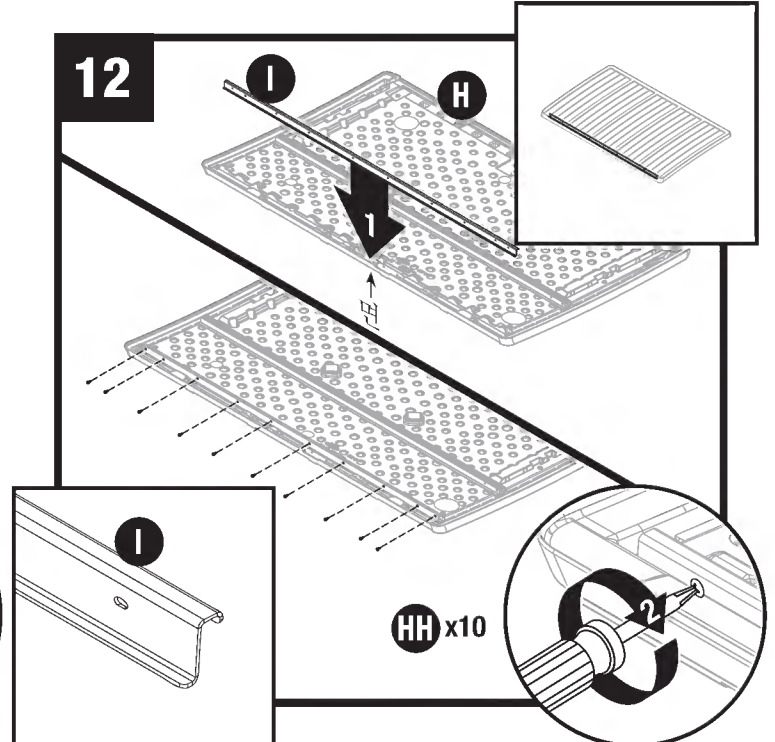


# 지붕 조립



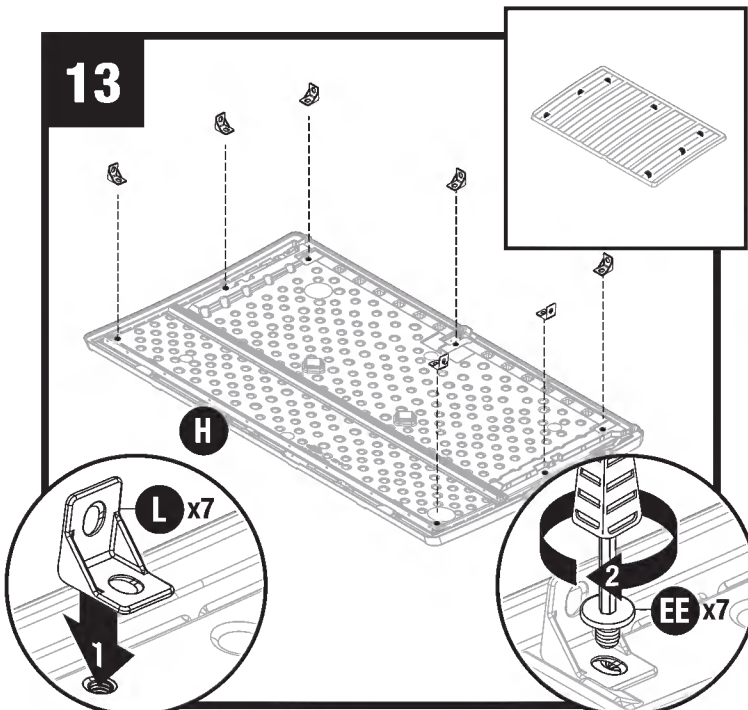
지붕을 평평한 표면에 놓고 각각의 브래킷(J)을 내려서 지붕(H) 패널 밑면의 도관에 끼웁니다. 지지용 브래킷(J)의 상단 구멍이 반드시 올바른 방향에 있어야 합니다. 트러스 레그 안의 구멍을 지붕 패널 위 로켓에 맞추어 정렬합니다. 10개의 나사(HH)를 사용해 브래킷을 고정합니다.

참고: 지지 브래킷은 반드시 위에 표시된 방향으로 설치해야 합니다. 브래킷이 거꾸로 설치되면 지붕이 끼워지지 않습니다.

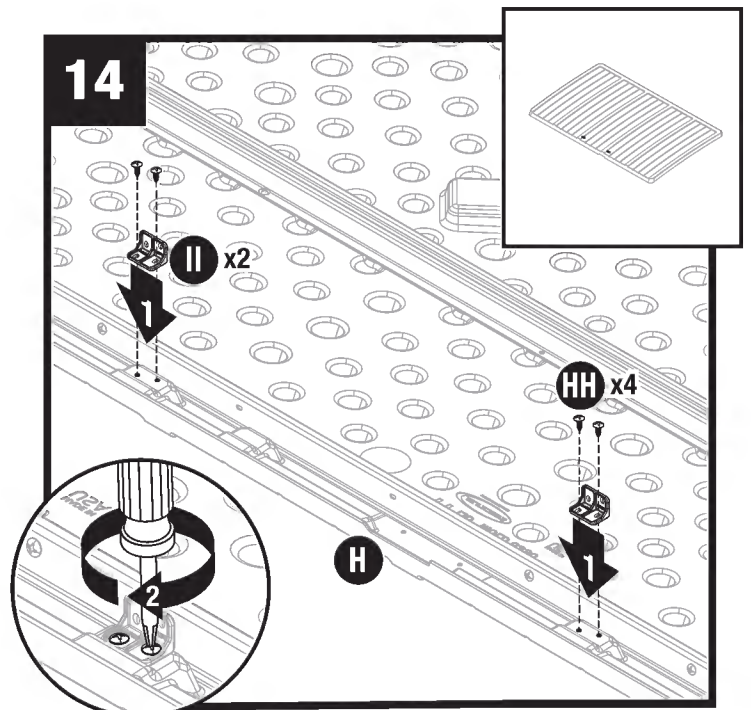


S레일(I)을 지붕(H) 위 위치로 내립니다. 나사(HH) 10개를 사용해 고정합니다. S-브래킷(I)의 올바른 방향은 위에 표시되어 있습니다.

참고: 지붕에는 미리 뚫어 놓은 구멍이 없습니다. 셀프 태핑 나사를 움직일 때 힘을 가하십시오. 플라스틱을 관통하고 나면 나사가 쉽게 움직입니다.



지붕 브래킷(L)을 지붕 위 위치로 내립니다. Easy Bolt로 브래킷을 고정합니다. Easy Bolt Easy Driver(FF)를 사용해 손으로 조이십시오. 완전히 고정되면 Easy Bolt 헤드가 동일한 평면상에 옵니다. Easy Bolt를 너무 많이 조이지 마십시오.

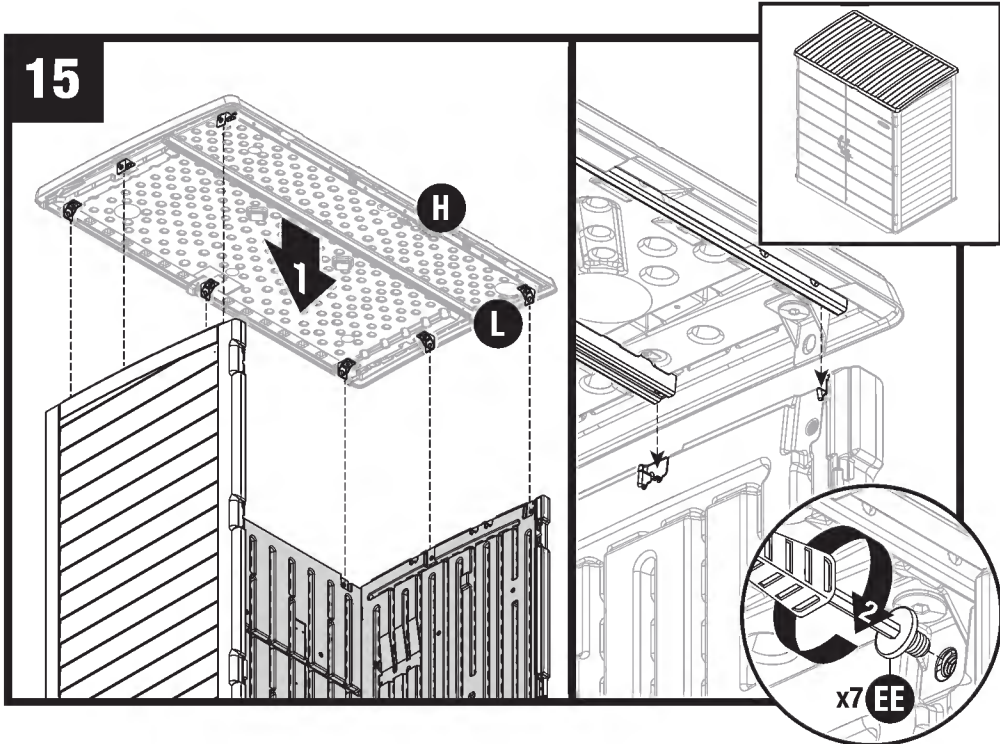



나사(HH) 2개를 사용해 도어 클립 브래킷(II)을 지붕 패널(H) 바닥에 고정합니다.

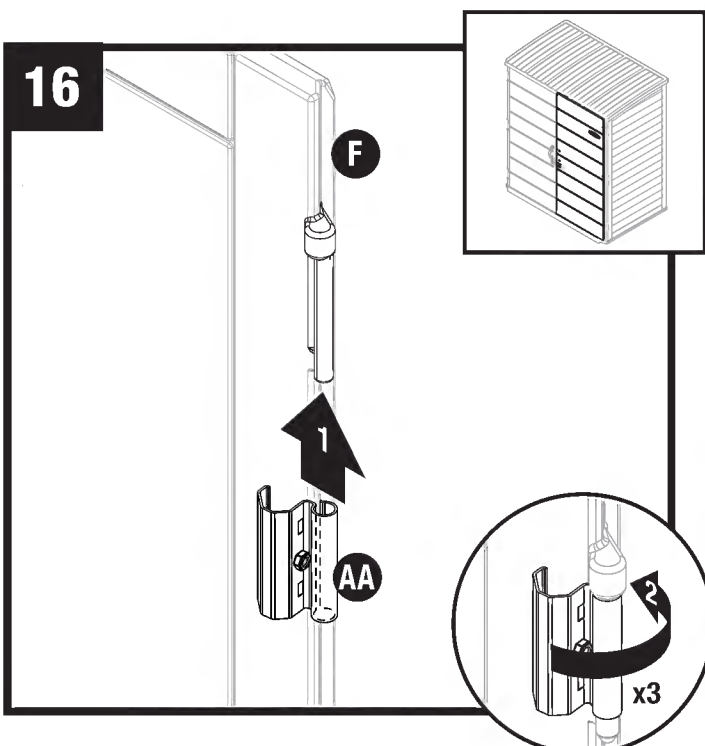
참고: 브래킷의 세로 부분이 참고 내부를 향해야 합니다.




# 지붕 조립

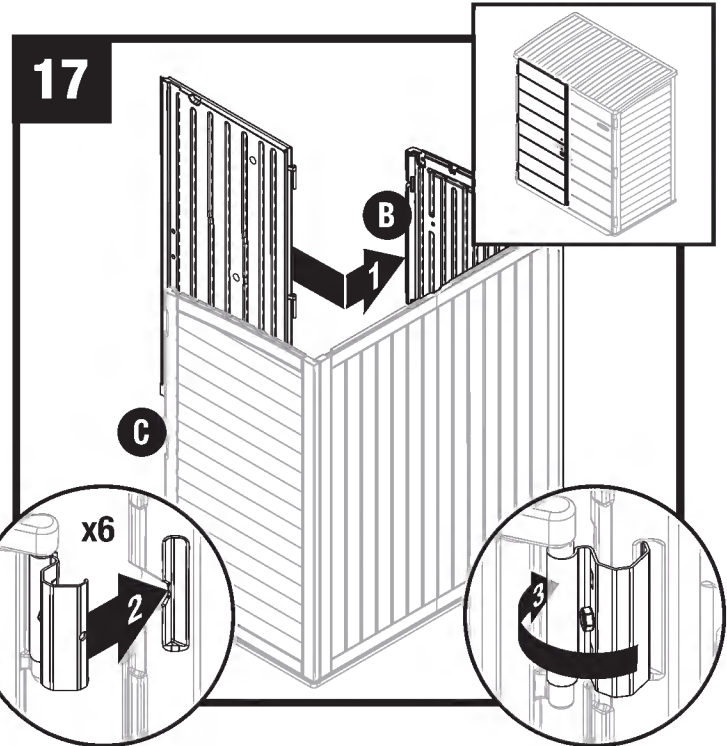



 지붕 패널(H)을 내려서 지붕 브래킷(L)과 벽 위 구멍을 정렬합니다. 트러스 레그와 S레일(지붕에 미리 조립되어 있음)이 측면 패널의 홈에 끼워집니다(지붕을 제대로 정렬하는 데 도움이 됨). Easy Bolt(EE) 7개로 브래킷을 고정합니다. Easy Bolt Easy Driver(FF)를 사용해 손으로 조이십시오. Easy Bolt를 너무 많이 조이지 마십시오.



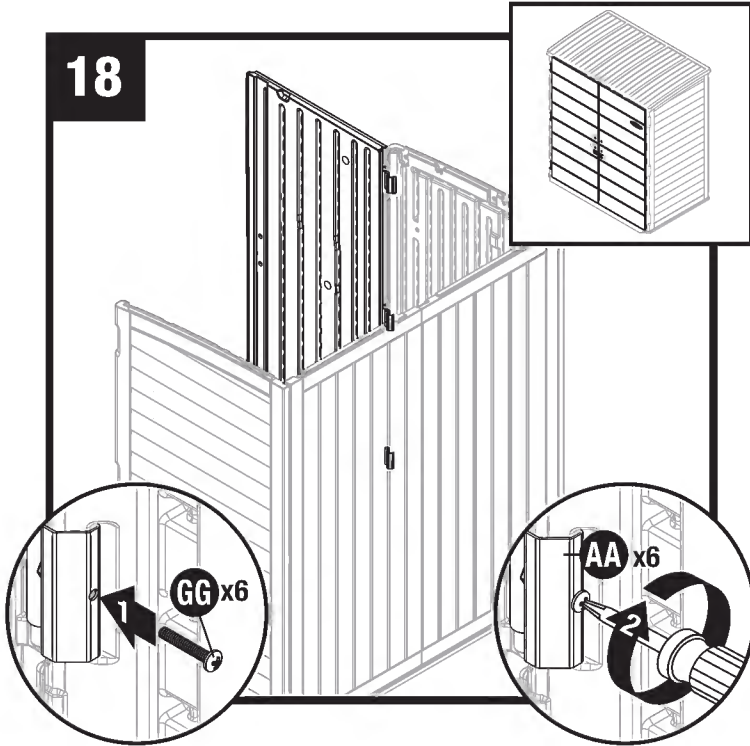
 오른쪽 문(F)을 경첩대가 오른쪽을 향하게 똑바로 세웁니다. 모든 경첩대에 금속 경첩 플레이트(AA)를 하나씩 밀어 넣습니다. 금속 경첩 플레이트를 열린 위치로 회전시킵니다.


왼쪽 문(G)에 대해서도 같은 작업을 반복합니다.

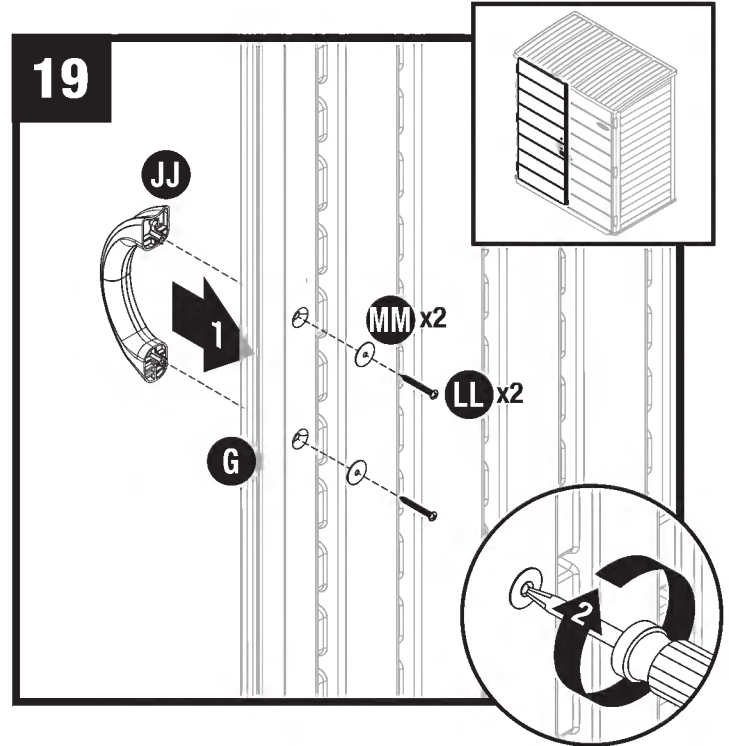


 측면 패널(B)와 (C) 안에 있는 6개의 경첩 수용체에 금속 경첩 플레이트를 하나씩 밀어 올립니다.

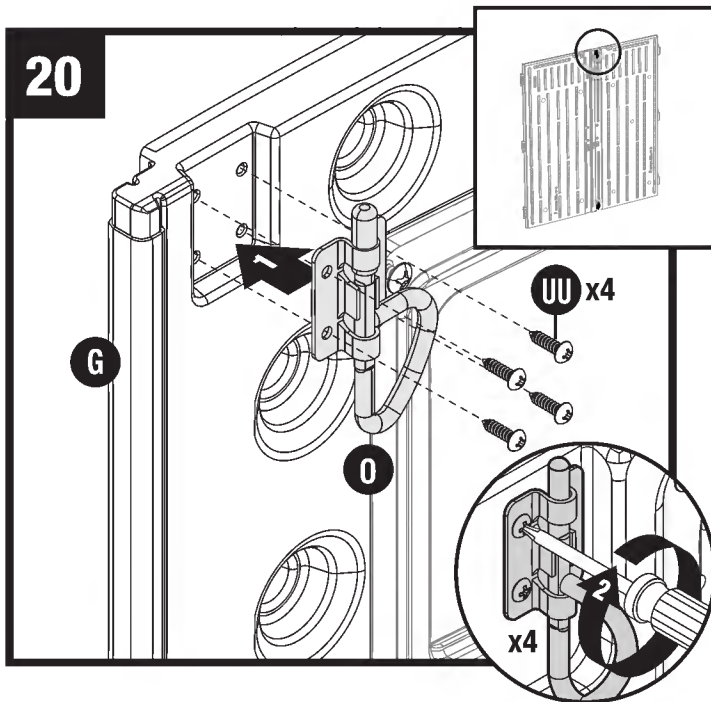
# 조립 - 문



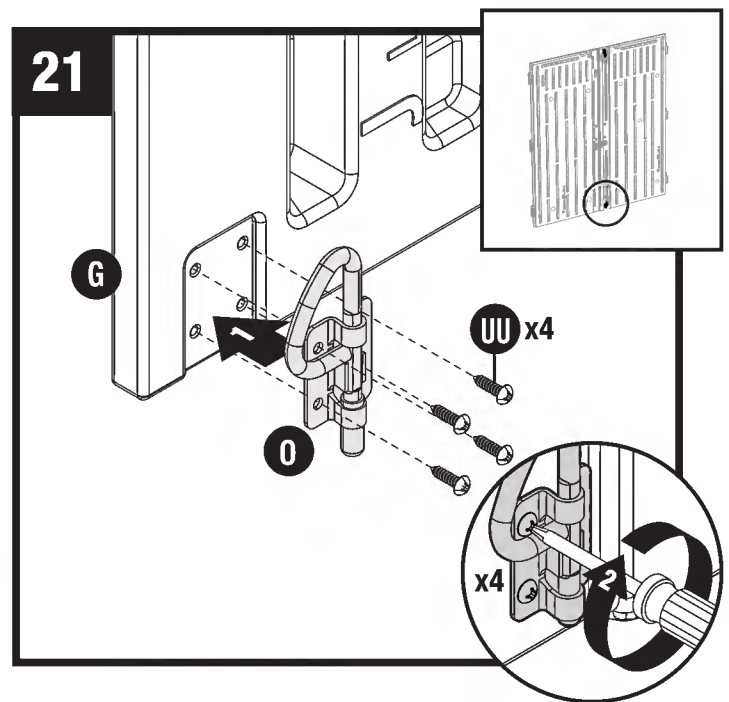
 모든 문 경첩(AA)을 나사(GG) 1개로 고정합니다.



와셔(MM)와 나사(LL)를 사용해 왼쪽 손잡이(JJ)를 왼쪽 문(G)에 부착합니다. 오른쪽 문(F)과 오른쪽 문 손잡이(KK)에 대해서도 같은 작업을 반복합니다.

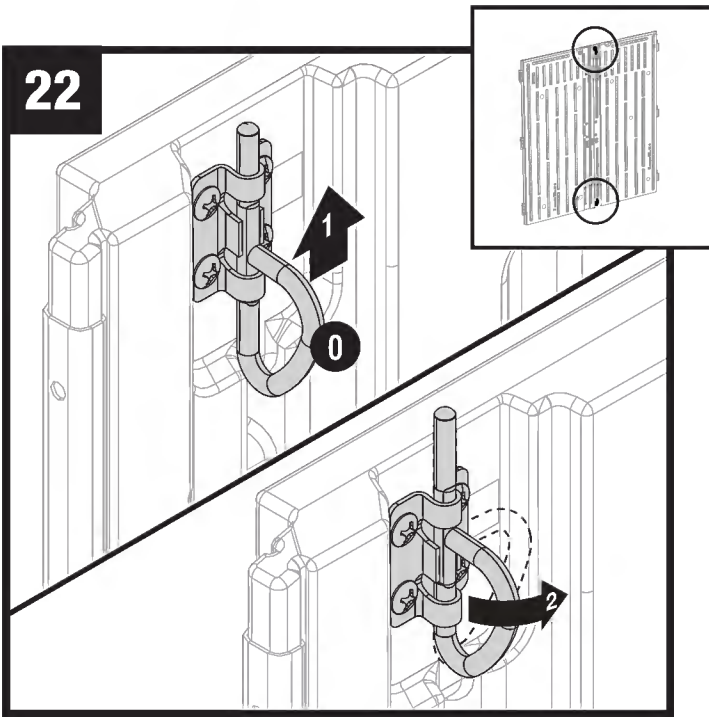


왼쪽 문(G) 안쪽 상단에서, 제공된 구멍에 나사(UU) 4개를 끼워 넣어 D링 슬라이드 볼트(O)를 장착합니다

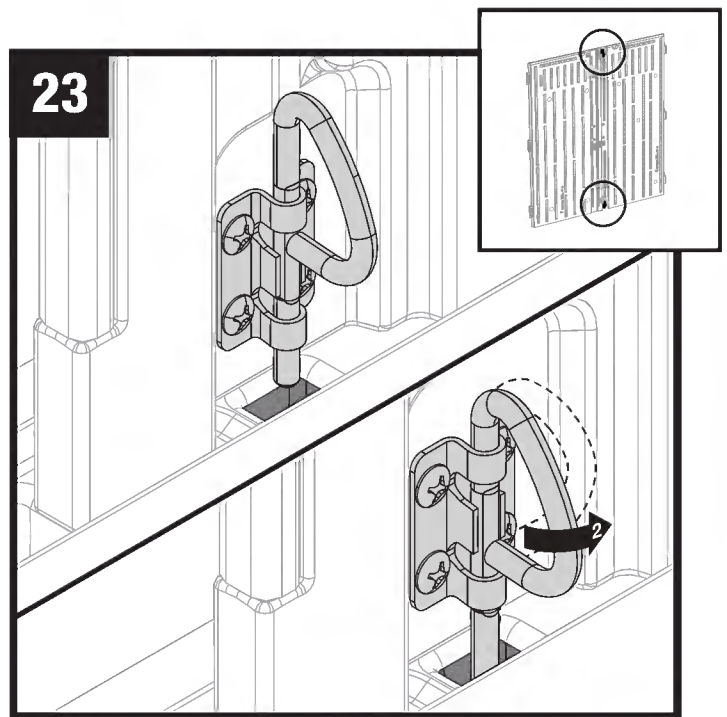


왼쪽 문(G)의 안쪽 하단에서, 제공된 구멍에 나사(UU) 4개를 끼워 넣어 D링 슬라이드 볼트(O)를 장착합니다.

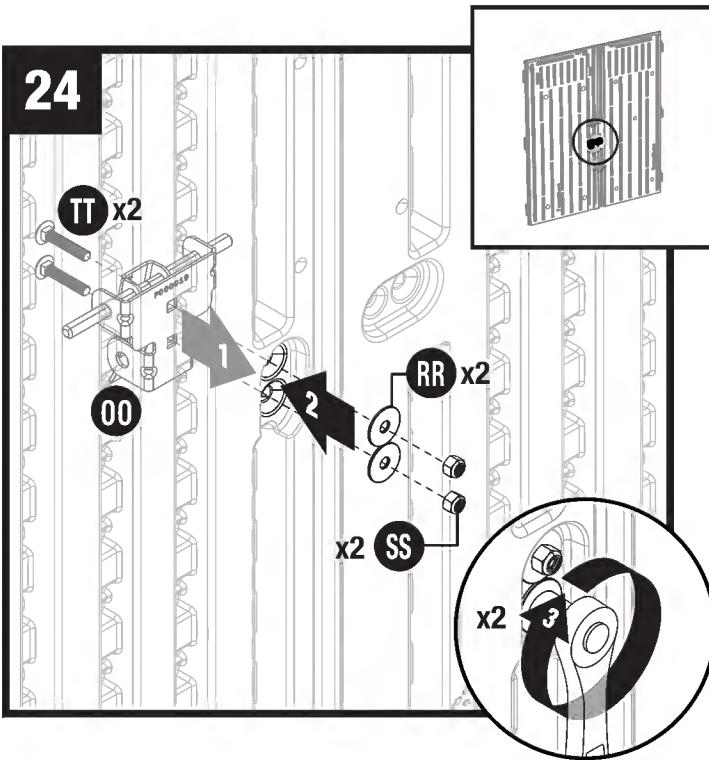
조립 - 문 (계속되는)



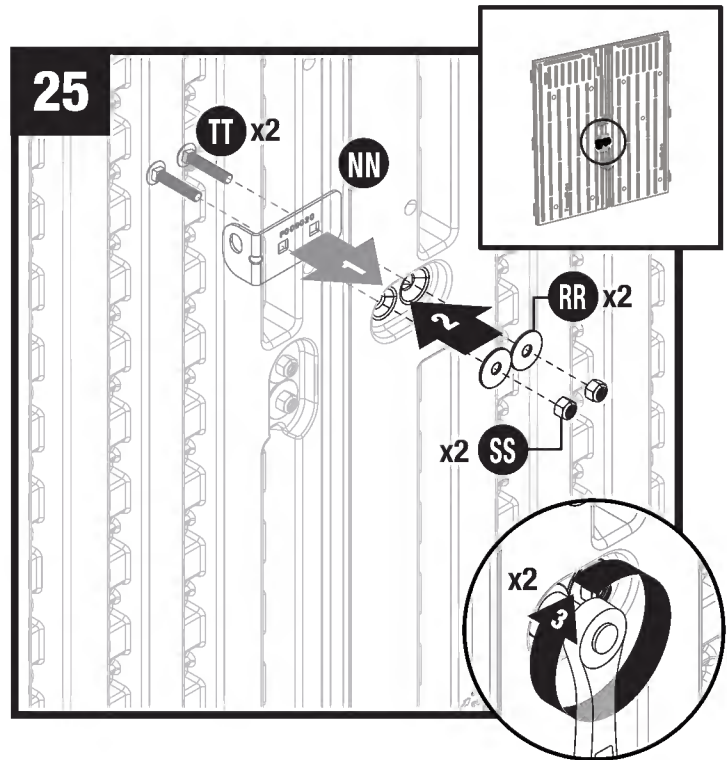
상부 D링(O)을 들어올려서 지붕(H) 전면에 끼웁니다. D링을 오른쪽으로 돌려서 잠금 위치로 설정합니다.



하부 D링(O)을 아래로 눌러서 바닥의 구멍에 끼웁니다. D링을 오른쪽으로 돌려서 잠금 위치로 설정합니다.



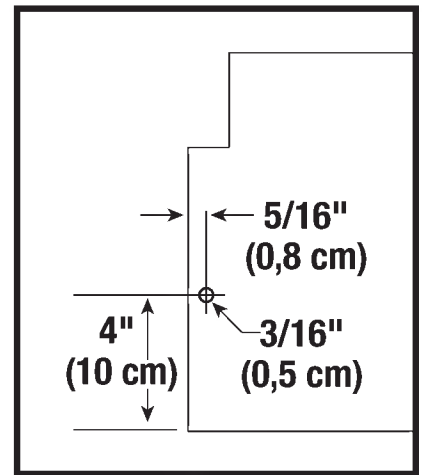
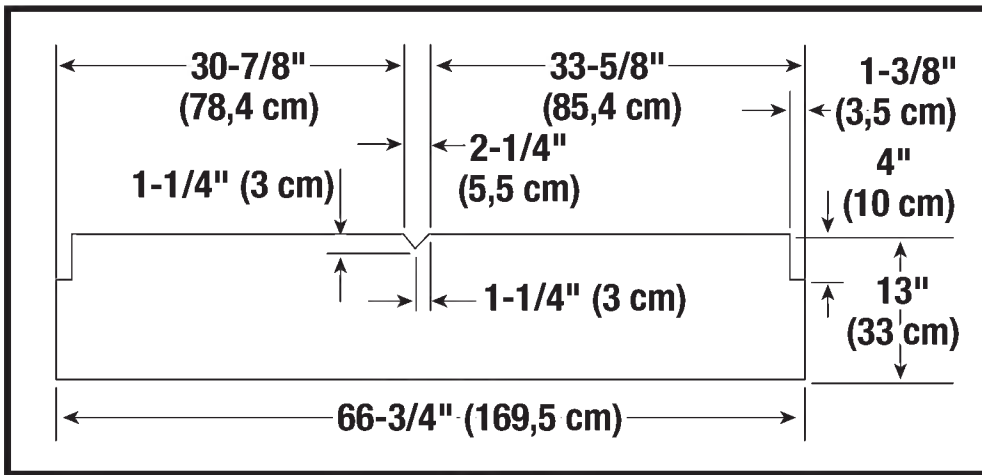
나사(TT) 2개를 문 고리 조립체(OO)와 오른쪽 문에 삽입합니다. 나사는 문을 통과하기 위해 얇은 플라스틱 층에 구멍을 뚫어야 합니다. 플레이트를 문 바깥쪽의 위치에 고정시킨 상태에서, 모든 나사를 와셔(RR) 2개와 잠금 너트(SS) 2개로 고정합니다.



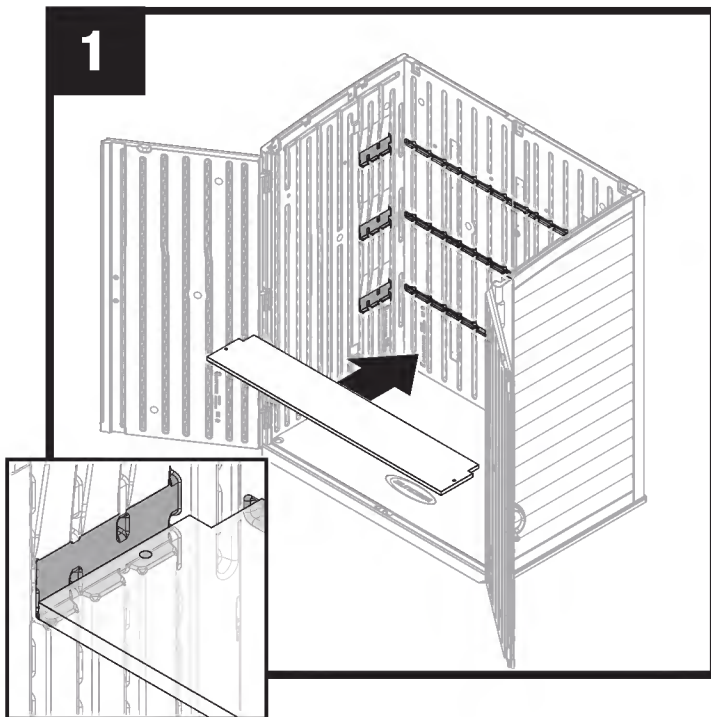
나사(TT)를 왼쪽 고리 플레이트(NN)와 왼쪽 문에 삽입합니다. 나사는 문을 통과하기 위해 얇은 플라스틱 층에 구멍을 뚫어야 합니다. 플레이트를 문 바깥쪽의 위치에 고정시킨 상태에서, 모든 나사를 와셔(RR) 2개와 잠금 너트(SS) 2개로 고정합니다.



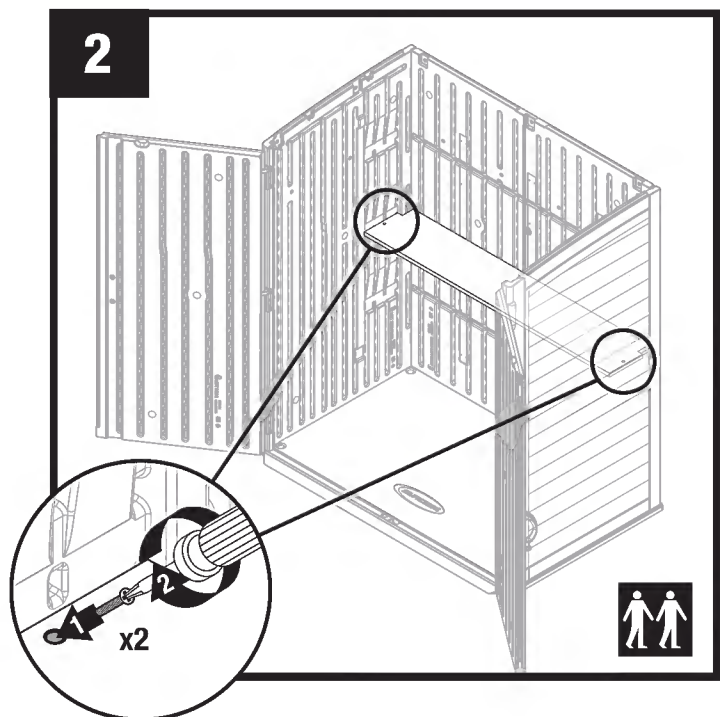
# 옵션형 실내 목재 선반(재료 불포함)



- 보관 창고에는 옵션형 목재 선반 3개를 추가할 수 있습니다.
- 3/4" (2 cm) 두께의 나무를 위와 같은 치수의 선반으로 절단합니다.
- 선반 양쪽에 3/16" (0.5 cm) 파일릿홀을 하나씩 뚫습니다.



선반 양쪽에 3/16" (0.5 cm) 파일릿홀을 하나씩 뚫습니다.  
 선반을 창고에 놓습니다. 선반은 측면 패널과 후면 패널의 선반 지지대 위에 꼭 맞게 배치해야 합니다.  
 참고: 지붕은 표시되어 있지 않습니다.




#8 x 1.25" 건식벽 나사(미제공) 1개를 모든 파일릿홀과 측면 패널에 삽입하여 선반을 고정합니다.  
 참고: 필요한 경우 측면 패널을 안쪽으로 눌러 측면 및 후면 패널의 선반 지지대에 선반을 완전히 고정하십시오.





## 組立てを始める前に

- 物置の組立てに必要な許可については、お住まいの地域の地方自治体にお問い合わせください。  
物置の組立てに先立ち、お住まいの地域の建築法規担当官に必要な許可や建築規制についてご確認ください
- 物置の組立てを始める前に、水平で頑丈な土台が必要です。  
組立てを始める前に、説明書に記載されている設置場所の準備に関する情報を確認してください。
- 組立て前に説明書をよくお読みください。  
本キットには、誤った方法や順序で組立てると破損する可能性のある部品が含まれています
- 説明書の手順に従ってください  
サンキャストは、誤った組立てにより紛失または破損した部品を交換する責任を負いません。
- 組立て作業全体を通して、補助の人員が必要です 

## 重要

最初にすべての箱を開けて、部品をきれいに並べてください。小さな部品は、個別の箱に梱包されている場合があります。本説明書の部品リストを参照して、部品が揃っていることを確認してください。

すべての部品を開梱する前に、設置場所の準備と土台の工事を完了してください。



## 注意

- 適切な設置場所の準備が必要です。
- この物置は、極端な天候下での使用を目的としていません。
- この物置は、可燃性または腐食性の化学物質の保管を目的としていません。
- 重いものは物置の下の方に収納してください。
- この物置は、子供による使用を目的としていません。
- 物置の屋根の上に立ったり、座ったり、物を置いたりしないでください
- 極端な気温での使用には注意が必要です。
- 壊れた部品はすぐに修理または交換してください
- サンキャストは、天候や誤用によって生じた損害について責任を負いません。
- 定期的に物置を点検し、組立ての完成度が維持されていることを確認してください。
- 物置を設置した場所が水平に保たれているかどうか、定期的に確認してください。
- 本キットには、鋭い金属片を含む部品が入っています。取り扱いにはご注意ください。



## 物置の安全と手入れ

- 使用したばかりのバーベキューコンロやガスバーナーなど、高温になるものは物置に保管しないでください。
- パネルのゆがみや修復不可能な損傷の原因となることがあるため、重いものを壁に立てかけないでください。
- 屋根に積もった雪や落ち葉を取り除くようにしてください。
- 物置の壁や屋根部分は、樹脂製の家屋外壁のような質感のある外装になっています。時間の経過にともない、外壁の溝に埃が溜まる場合があります。これに湿気が加わると、物置にコケやカビが生えやすくなります場合があります。物置の外観を維持するために、年に一度、中性洗剤と水で洗浄することをお勧めします。漂白剤やアンモニアなどの苛性洗剤(刺激の強い洗剤)や、硬いブラシは**使用しないでください**。年に一度の清掃を怠ると、プラスチック部分についての汚れが取れなくなることがあります。これは製造上の欠陥ではありませんので、保証の対象外となります。

## 組立て当日に気を付けること

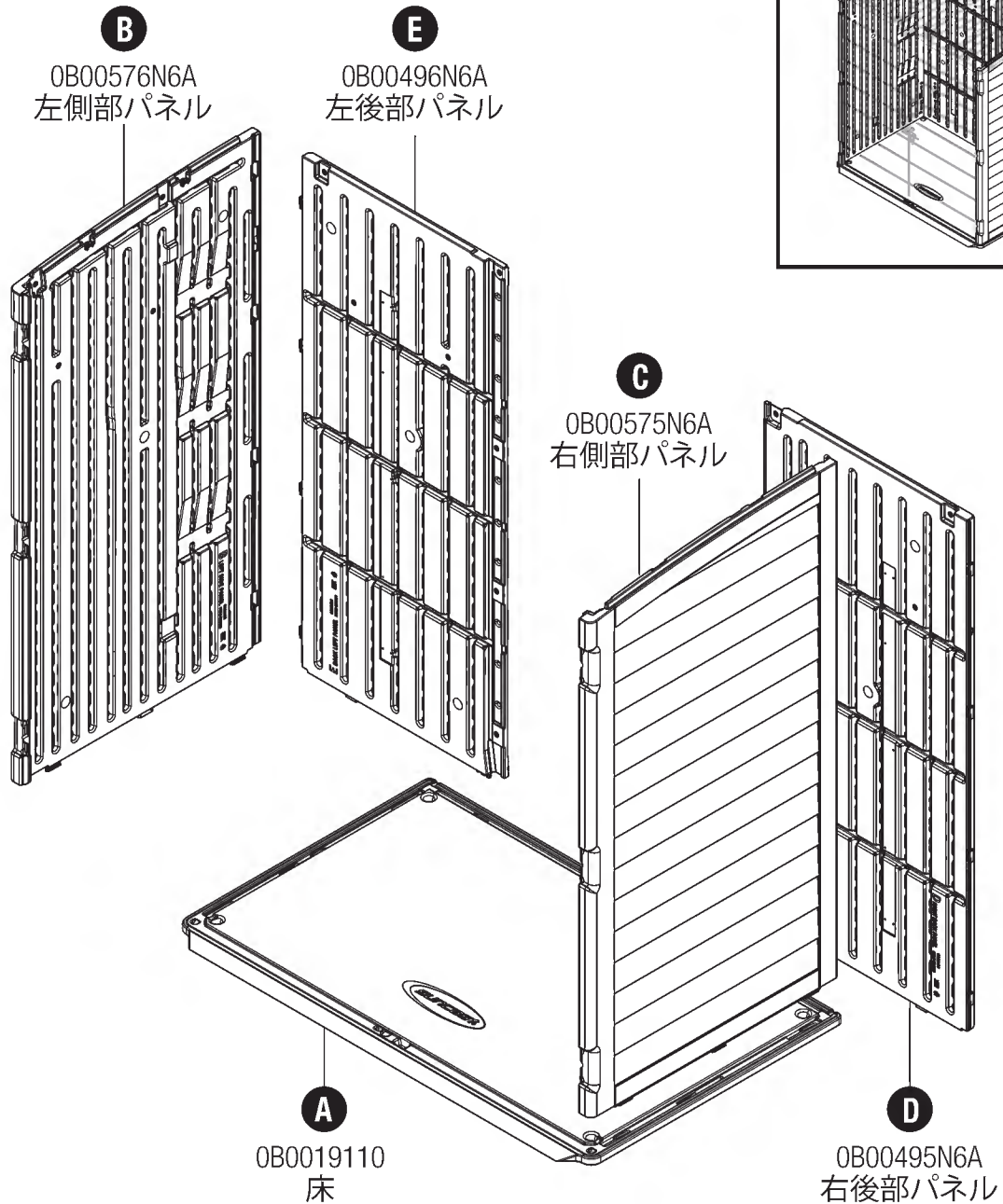
- 部品を開梱して、組立てを開始する前に、設置場所の準備と土台の工事を完了してください。
- 強風の日に組立てるのは、**絶対にやめてください**。
- 気温が0°C以下の日に組立てるのは、**絶対にやめてください**。
- 物置を完全に組立てるために必要な時間を十分取って、取り掛かってください。組立てにかかる時間はおよそ3時間です。
- 部品を持ち上げて所定の位置に固定するために、近くに補助できる人がいることを確認してください。
- 物置を組立てるときは、軽作業用の手袋を着用してください。
- 屋根を組立てた後、物置の中で小さな部品を組立てる際は、懐中電灯があると便利です。
- 付属のイーボルトを締めるためにハンドドリルを**使用しないでください**。付属の010210410イーボルトドライバーの**み**を使用してください。
- サンキャストではお客様の利便性を考えて、小さな留め具などの金属部品を余分に提供させていただいており、場合によっては、組立て完了後に小さな留め具が余ることもあります。

注意:本製品には、物置を組立てる際に、異なる向きで使用される部品が含まれています。本組立て説明書の全体を通して、表示されている部品の向きにご留意ください。説明書に従って組立てられなかった場合、部品が破損する恐れがあります。サンキャストは、誤った組立てにより紛失または破損した部品を交換する責任を負いません。

## 重要

最初にすべての箱を開けて、部品をきれいに並べてください。小さな部品は、個別の箱に梱包されている場合があります。本説明書の部品リストを参照して、すべての部品が揃っていることを確認してください。すべての部品を開梱する前に、設置場所の準備と土台の工事を完了してください。

## 部品 - 壁と床

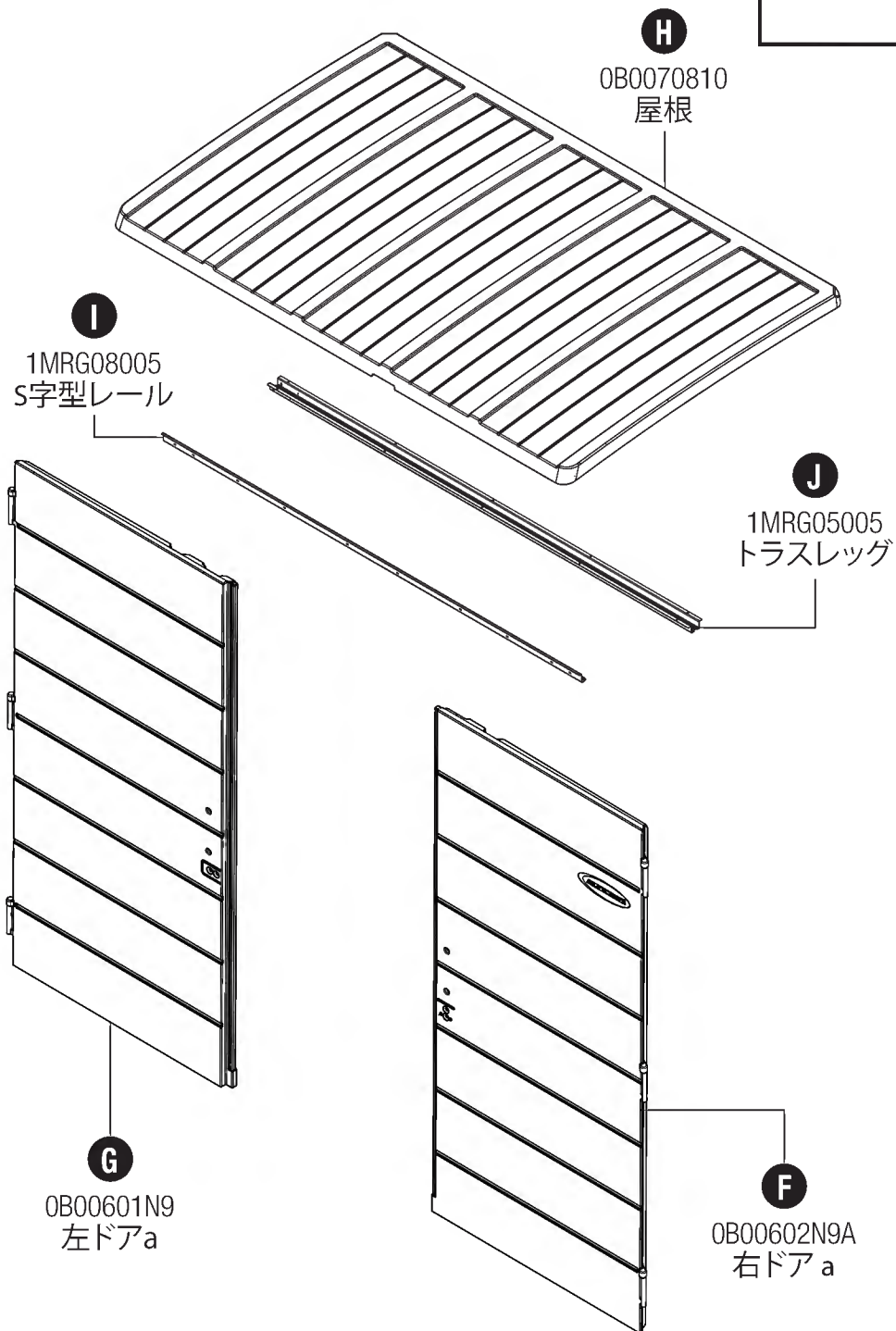
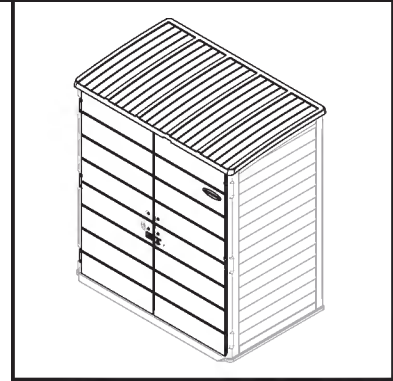


# 部品 - ドア

## 重要

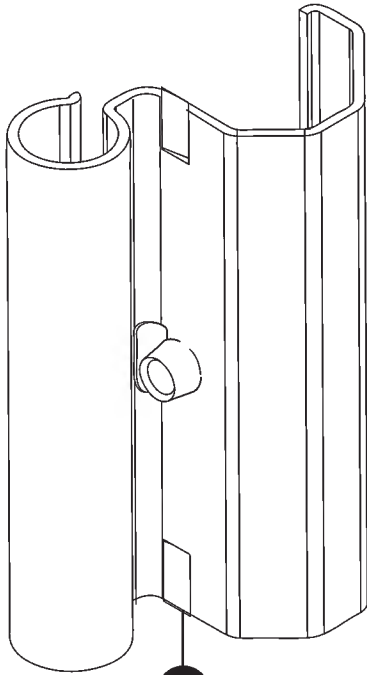
最初にすべての箱を開けて、部品をきれいに並べてください。小さな部品は、個別の箱に梱包されている場合があります。本説明書の部品リストを参照して、すべての部品が揃っていることを確認してください。

すべての部品を開梱する前に、設置場所の準備と土台の工事を完了してください。



# 金属部品

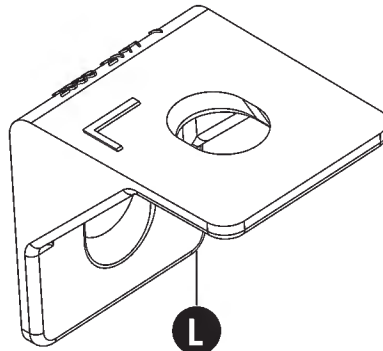
## 0860108 - ヒンジキット



**AA**

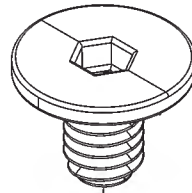
OMP000022  
金属製ヒンジプレート  
x6

## 金属部品用バッグ



**L**

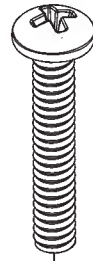
0102197N6  
屋根用ブラケット  
x7



**EE**

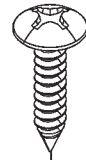
イージーボルト 7/8"  
x17

## 0480524 - 金属部品用バッグ



**GG**

0631017  
1/4 - 20 x 1-1/2"  
小ねじ  
x7



**HH**

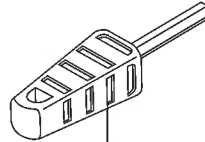
0631149  
#10 x 3/4"  
トラスヘッド用ねじ  
x28

## 0480452 - 金属部品用バッグ



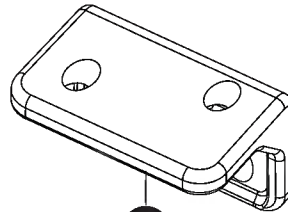
**UU**

0210180  
#8 x 1,6 cm  
スクリュー  
x9



**FF**

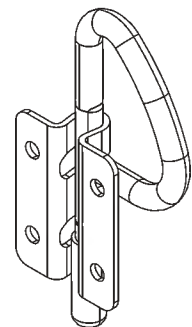
010210410  
イージーボルト専用ドライバー



**II**

0102721  
ドア用クリップブラケット  
x2

## 0440631 - 金属部品用バッグ



**O**

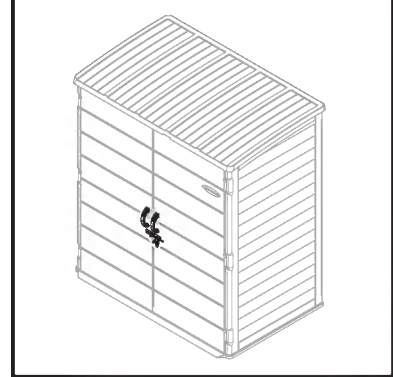
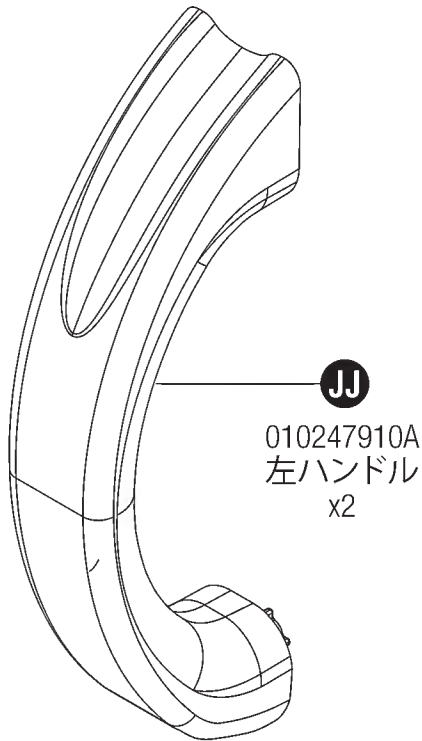
0280384  
D字型リング  
スライドボルト  
x2

追加のハードウェアが提供されます。  
すべてが使用されるわけではありません。



# ドア用ハンドルのキット部品

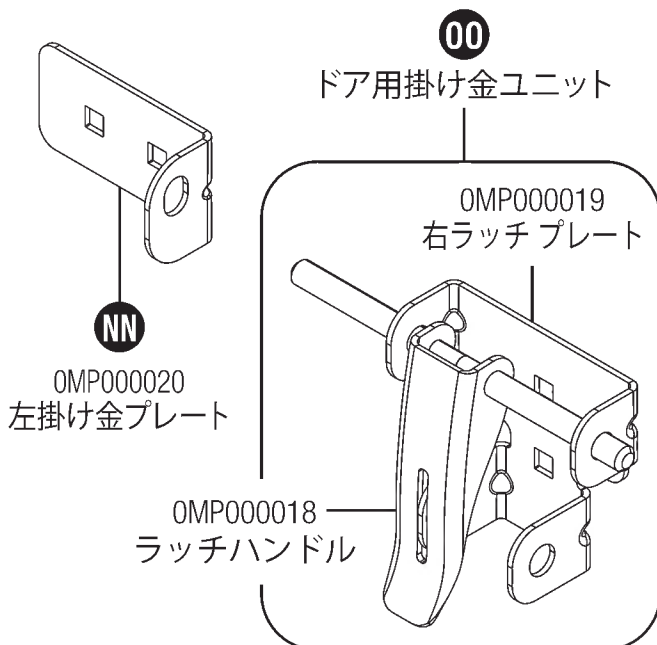
## 0464523 - ドア用ハンドルのキット



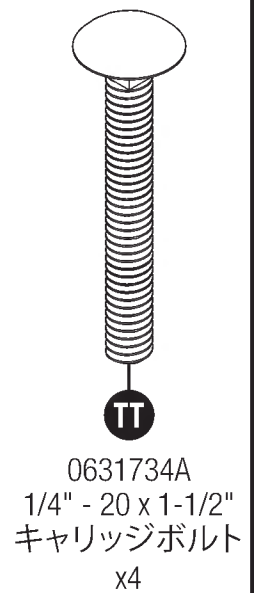
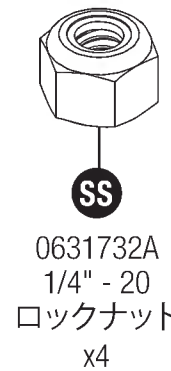
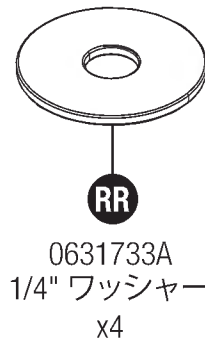
## 0480370 - 金属部品用バッグ



## 0464504 - ドア用掛け金のキット



## 0480439A - 金属部品用バッグ



# 設置場所の準備と台座の建設

台座などに必要な材料は、本物置のセットには含まれていません。

注意: 本物置のご利用には、設置場所の準備を整える必要があります。物置は建設された土台の上に置いてください。建設された土台の上に設置しないと、沈下が起こる可能性があり、物置のゆがみや破損の原因になります。サンキャストは、誤った組立てにより破損または紛失した部品を交換する責任を負いません。保証の対象となるためには土台が必要です

注意: 部品を開梱して、組立てを開始する前に、設置場所の準備と土台の工事を完了してください。設置場所の準備に関する留意事項については、[www.suncast.com](http://www.suncast.com) にアクセスするか、販売店に相談するか、お住まいの地域の法令を参照してください。

物置の設置場所の準備は、以下の手順で行います。

- 1) 土台の工事や物置の組立てを始める前に、建築法規や規約について、お住まいの地域の地方自治体に相談してください。
- 2) 地面を掘る場合はその前に、地元の公共サービス会社に連絡を取り、埋設されたケーブルやパイプなどの場所を確認してください。
- 3) どちらのタイプの土台にするか決定します
  - コンクリート平板(厚さ10センチ)

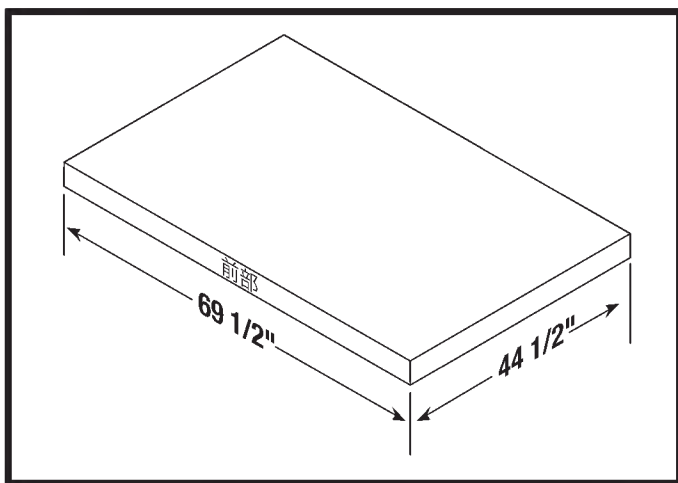
または

- 木製土台

外装用の木材をご使用ください。木製土台は、柱ブロックや足場の上に設置してください。設置場所に応じた最適な固定方法については、最寄りの販売店にご相談ください。提示されているプランは、材木と合板の切断回数が最小の場合に合わせた寸法となっています

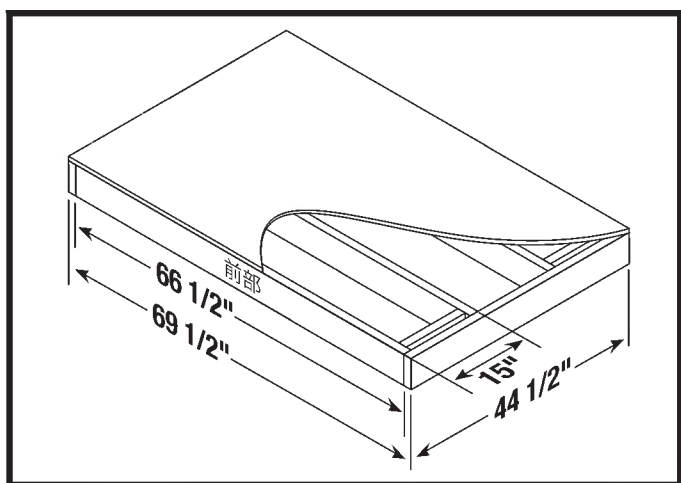
- 4) 組立てる場所を準備します
  - 排水を促すために、地面は土台部分から傾斜させてください。
  - 土台の表面は平らで、水平でなければなりません。
  - 物置内での過度の結露を防ぐには、防湿層を設ける必要があります
  - 適切な防湿層については、お住まいの地域の建築法規に従ってください。
- 5) 物置を土台に固定します:
  - 設置場所に応じた最適な固定方法については、最寄りの販売店にご相談ください。
  - コンクリート平板に物置を固定するには、お近くのホームセンターなどで販売されている石工用の留め具をお使いください。
  - 木製土台に物置を固定するには、ユニファイねじの1/4インチ×3インチの長さ(またはそれに該当する寸法のメートルねじ)のラグスクリューとワッシャーをお使いください。

## 床パネルをコンクリート平板に固定する



- 石工用の留め具を使って、物置をコンクリート平板に固定します。
- 寸法は各辺が 1 インチ(約2.5センチ)以内に 収まるようになっています

## 床パネルを木製土台に固定する

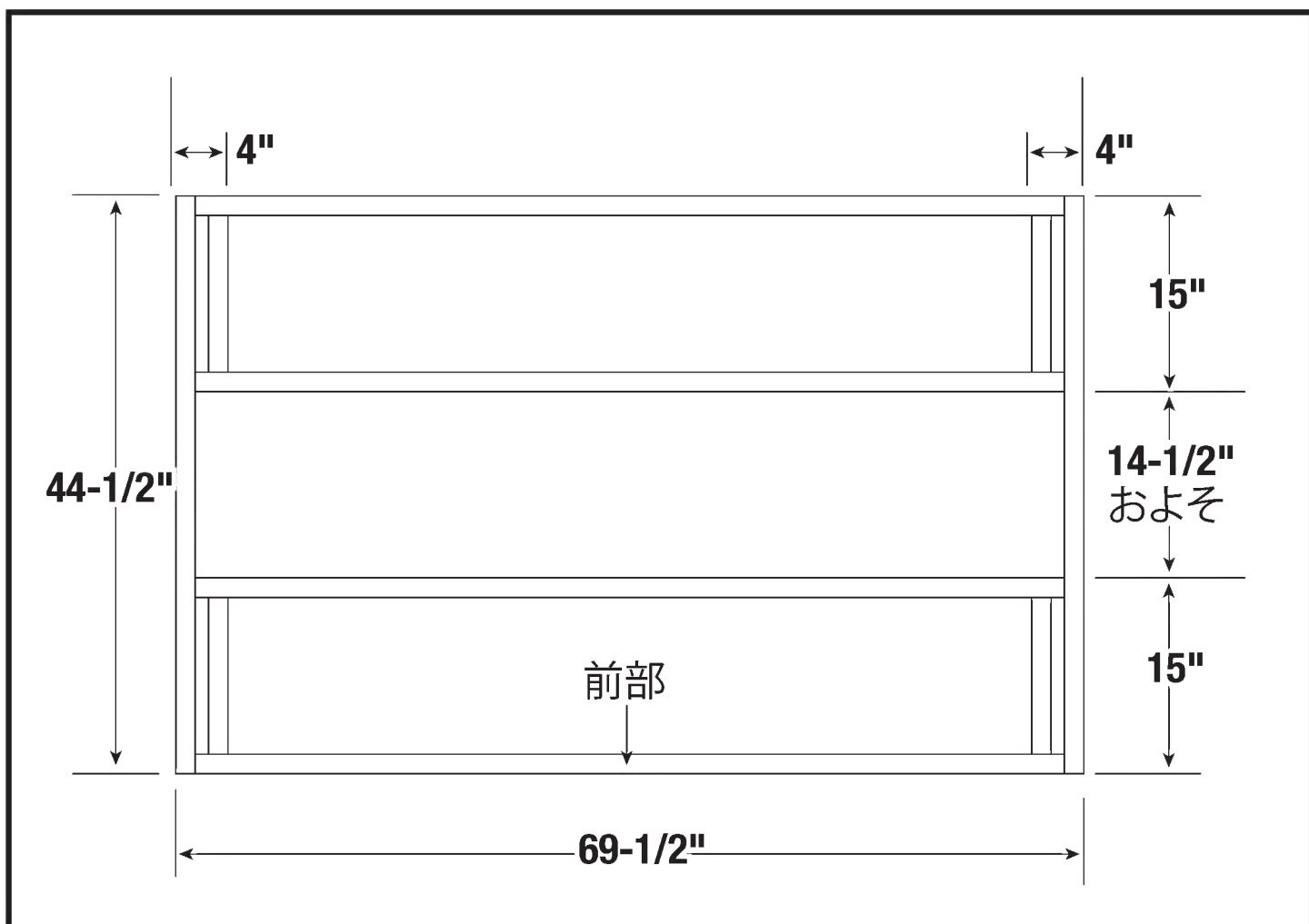


- ユニファイねじの1/4インチ×3インチのラグスクリュー(またはそれに該当する寸法のメートルねじ)で物置を木製土台に固定します。

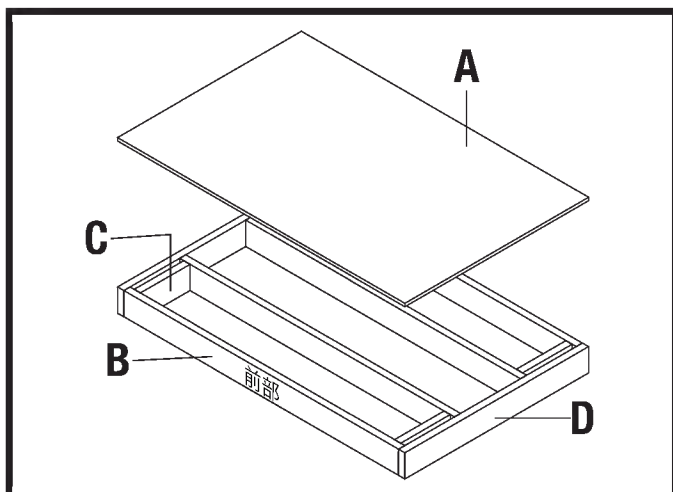
## 設置場所の準備と土台の建設 (続き)

土台などに必要な材料は、本物置のセットには 含まれていません

### 木製土台作成で重要な寸法



- すべての重要な寸法を確認します。

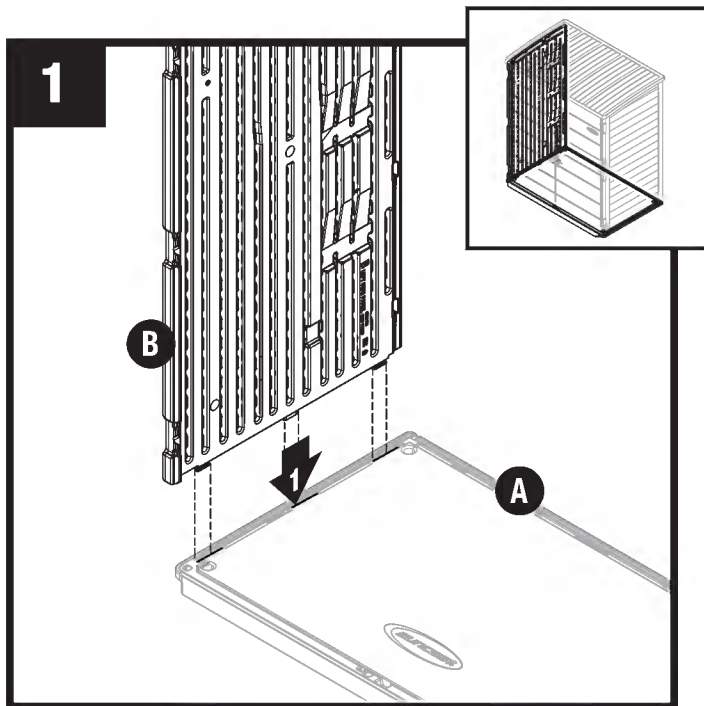



### 材料一覧

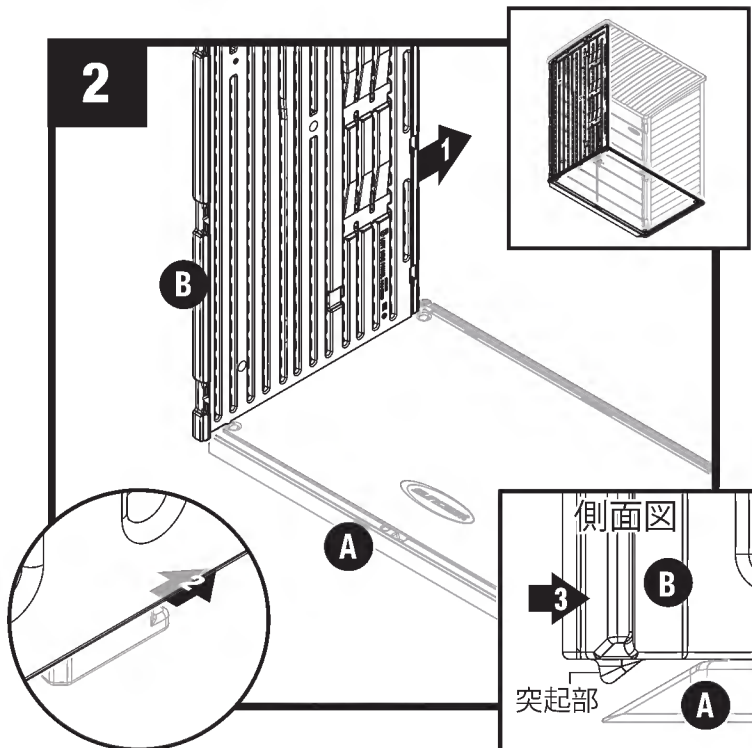
品目	数量	寸法
A	1	44-1/2" x 69-1/2" x 3/4"
B	4	2" x 6" x 66-1/2"
C	4	2" x 6" x 12"
D	2	2" x 6" x 44-1/2"


注意: 米国の規格材は、表記されているサイズよりも実際には1/2インチ小さくなります。


# 組立て・壁

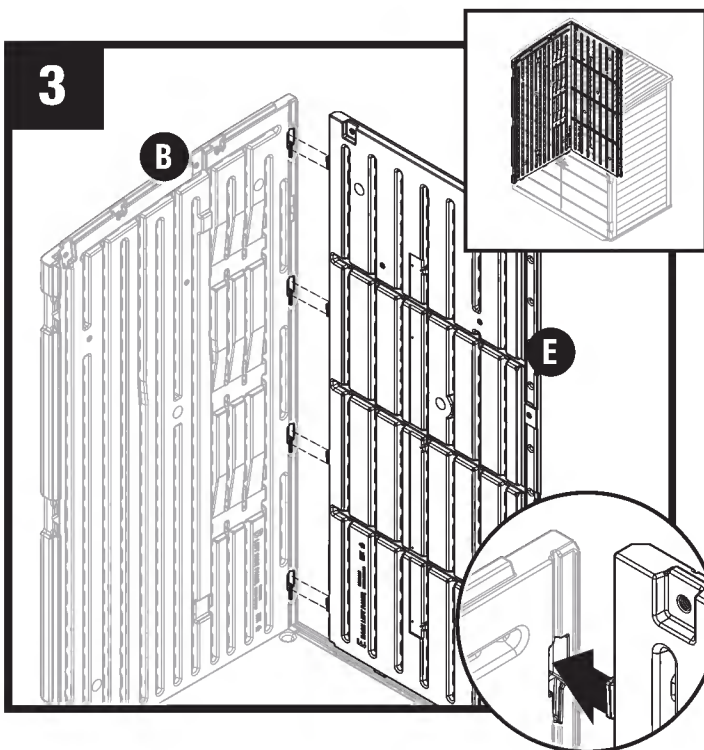



 右側部パネル(C)の下部にある突起部を、床(A)の  
 ロットに合わせます。パネルをロットにはめ込みます。

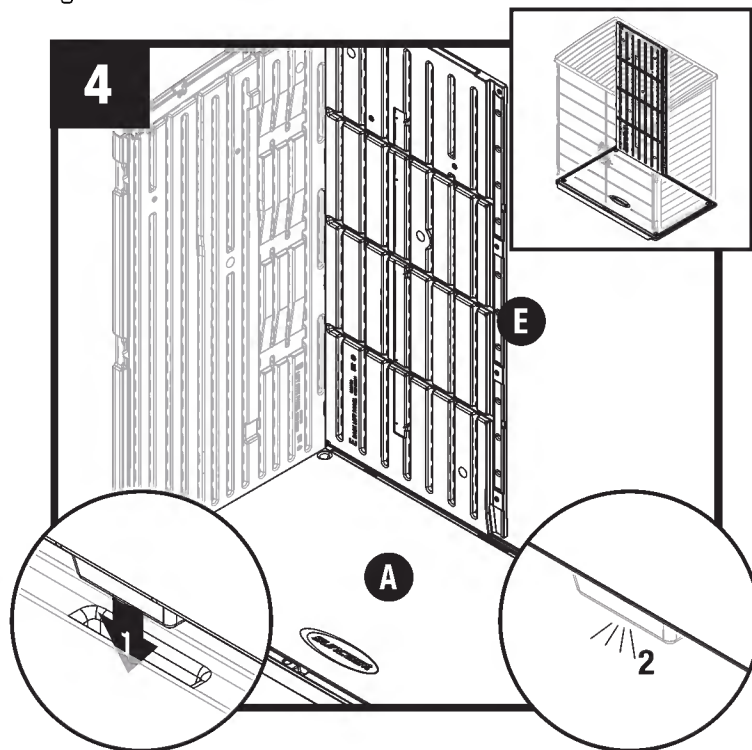


 側部パネル(B)を床パネルの後方に向けてスライドさせ、固  
 定します(前部角の突起部が所定の位置にスライドします)。

 注意:ゴムハンマーを使って右側部パネル(C)をロック  
 位置に「押し込み」ます。



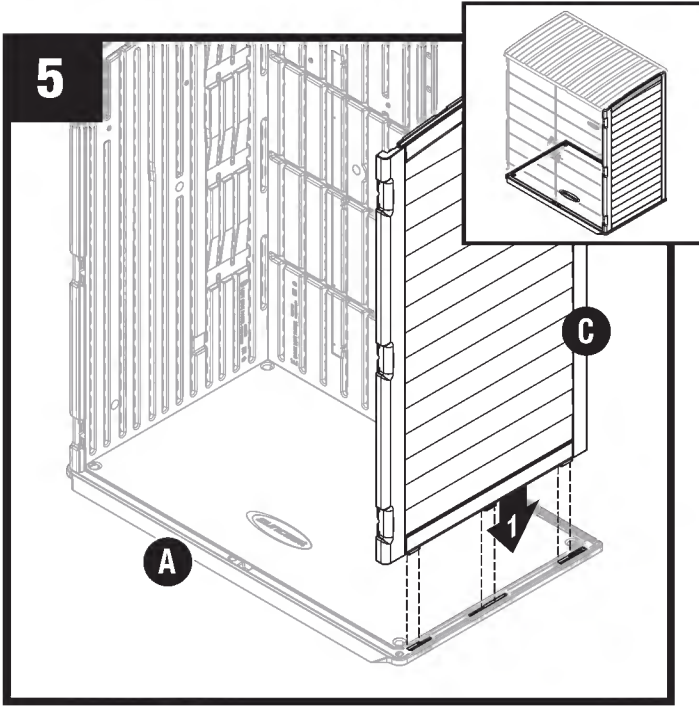
 左後部パネル(E)の側部にある突起部を、左側部パネル  
 (B)のロットに合わせます。左後部パネルを下にスラ  
 イドさせて、突起部を左側部パネルに固定します。




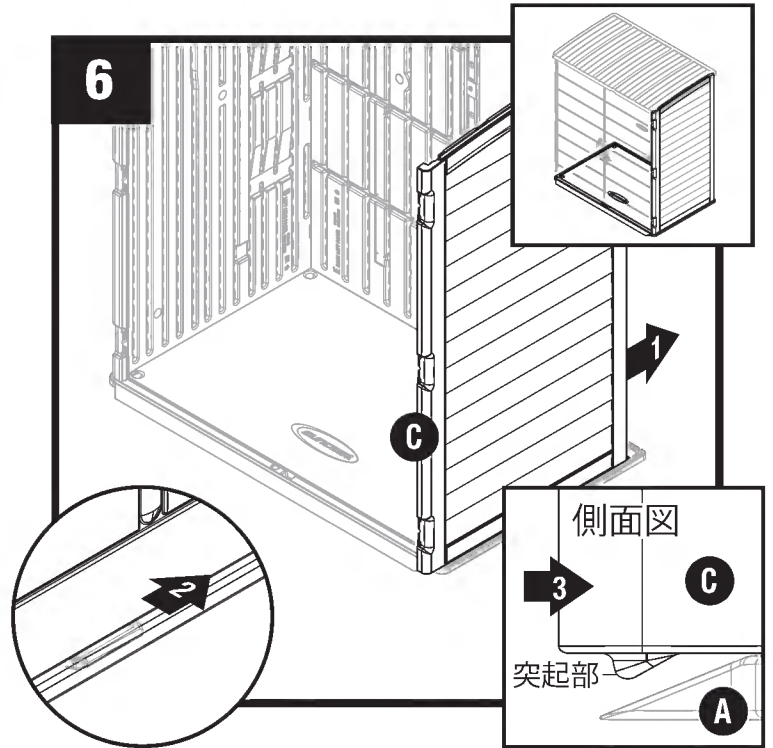
左後部パネル(E)の突起部を床(A)のロットにはめ込みま  
 す。左後部パネルの突起部は、正しい位置にはめ込まれると「  
 カチッ」と音がします。





組立て・壁 (続き)

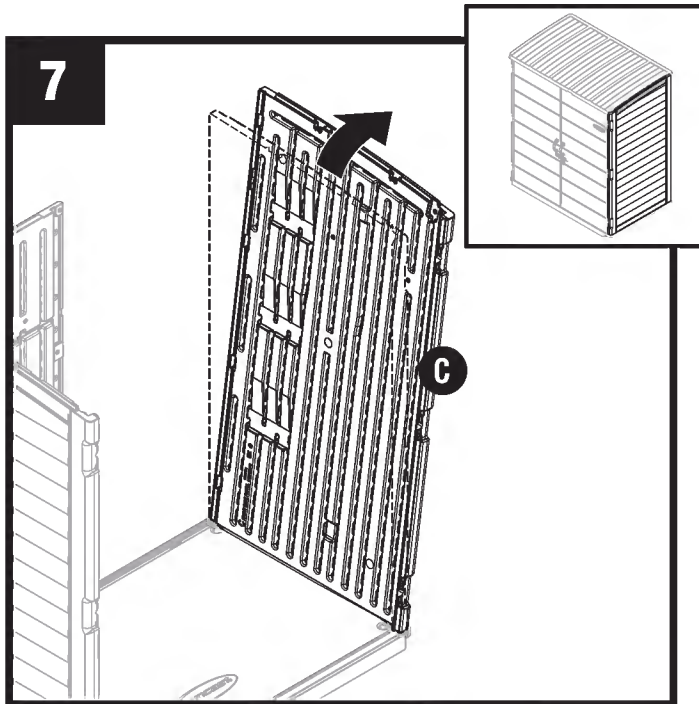


 右側部パネル(C)の下部にある突起部を、床(A)のロットに合わせます。パネルをロットにはめ込みます。

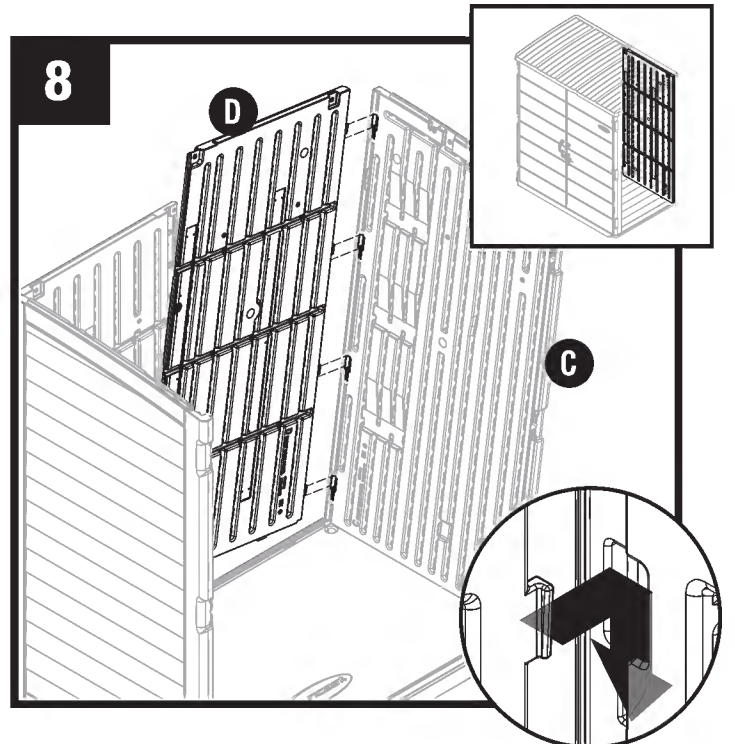



 側部パネル(C)を床パネルの後方に向けてスライドさせ、固定します(前部角の突起部を所定の位置まで床の上でスライドさせます)。

 **注意:** ゴムハンマーを使って右側部パネル(C)をロック位置に「押し込み」ます。



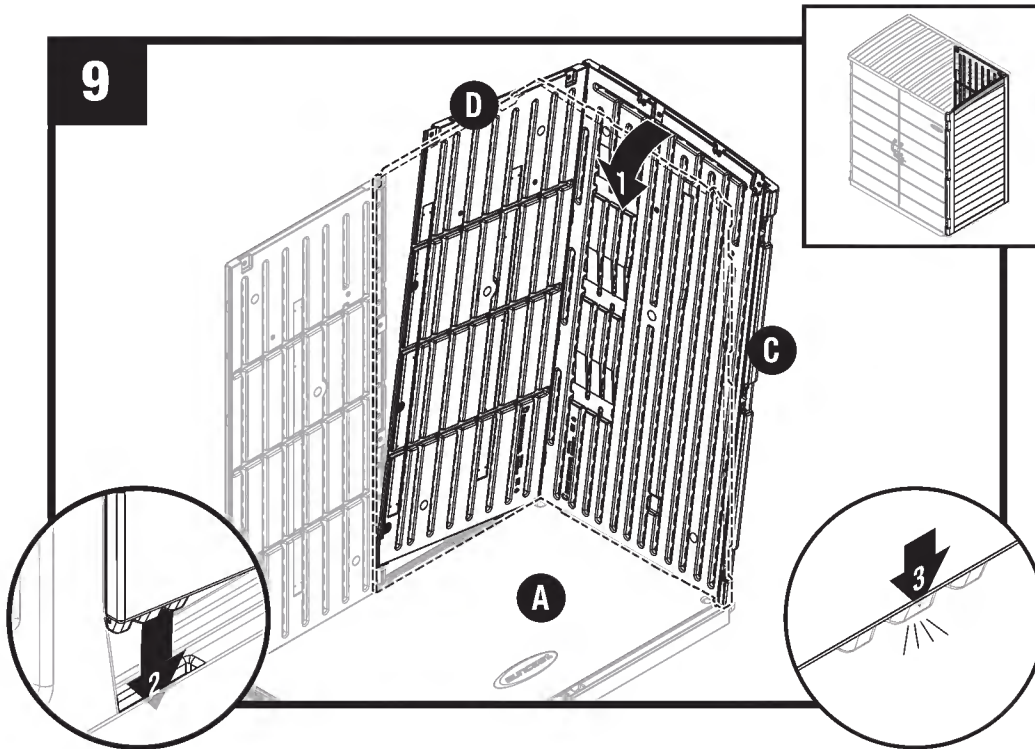
右パネル (C) を外側に傾けます。



 右後部パネル(D)の側部にある突起部を、右側部パネル(C)のロットに、斜めに合わせます。右後部パネルをスライドさせて、右側部パネルにはめ込み固定します。

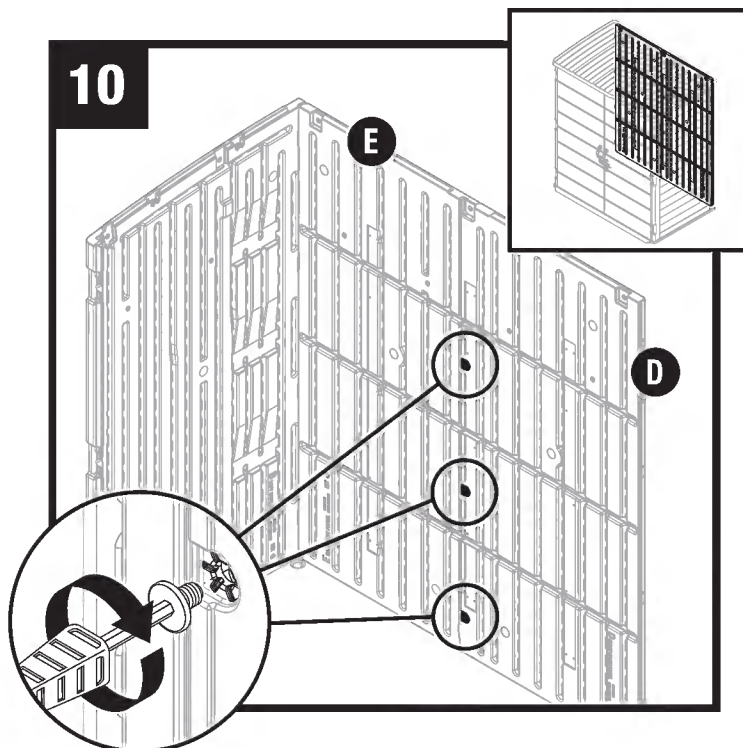


## 組立て・壁 (続き)



右後部パネル(D)と右側部パネル(C)を直立の状態に戻します(右後部パネルの突起部を床(A)のスロットにはめ込みます)。右後部パネルの突起部は、正しい位置にはめ込まれると「カチッ」と音がします。

注意:図を見やすくするために、左側部パネルは表示されていません。

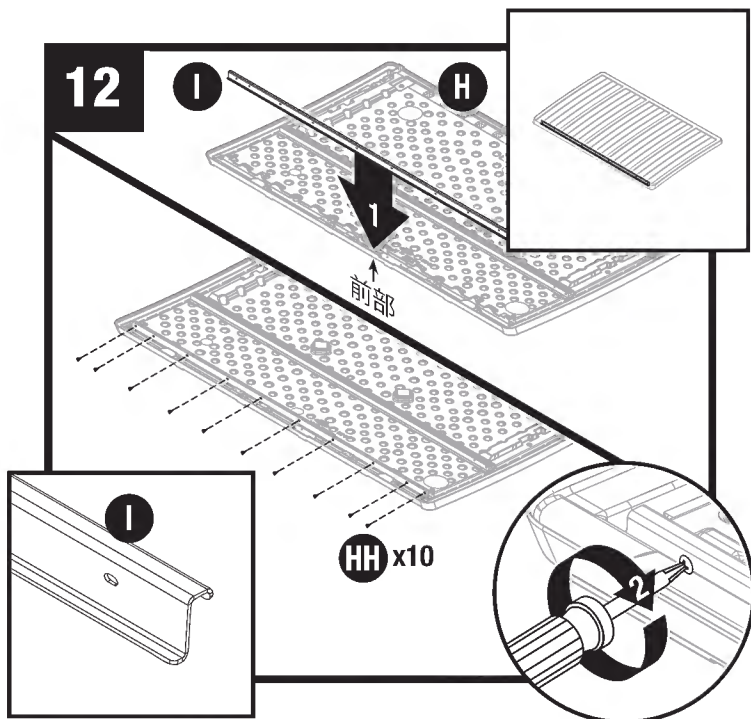
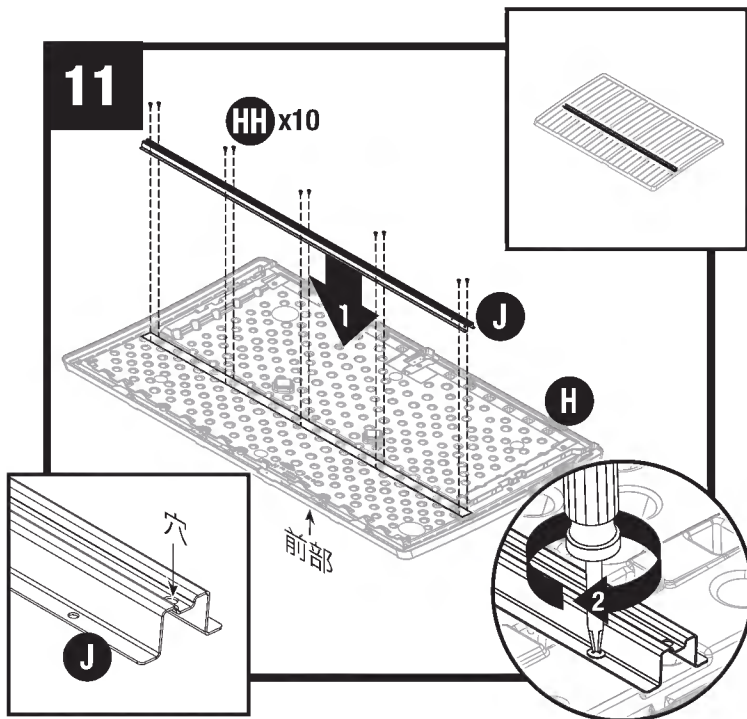


3本のイージーボルト(EE)を使い、下から上に向かって後部パネル(E,D)を固定します。イージーボルト専用ドライバー(FF)を使って、手で締めてください。完全に締まると、イージーボルトの頭は面一になります。イージーボルトは 締めすぎないでください。

注意:一番上の位置のイージーボルトは、後述のステップで取り付けます。

注意:図を見やすくするために、右側部パネルは表示されていません。イージーボルトが完全に締まると、「カチッ」という音がすることがあります。

# 組立て・屋根

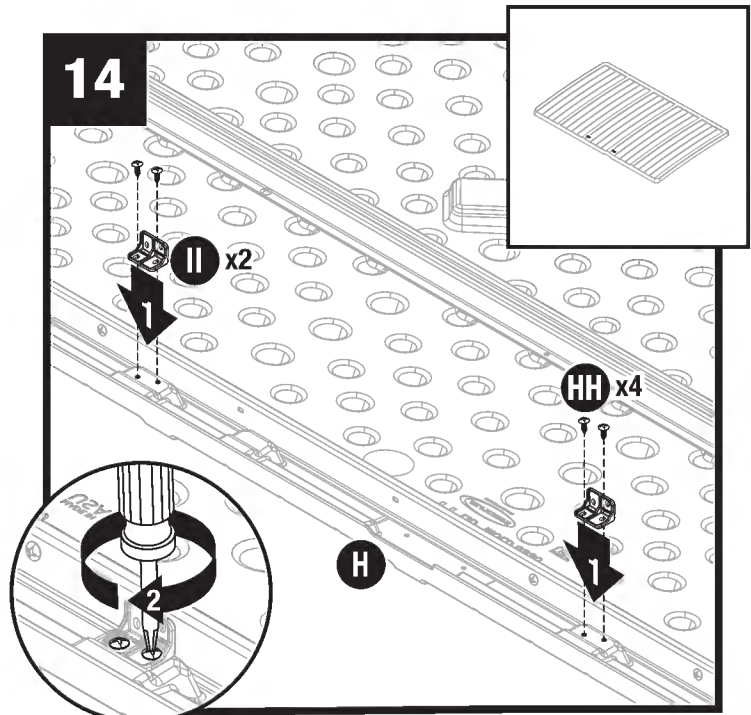
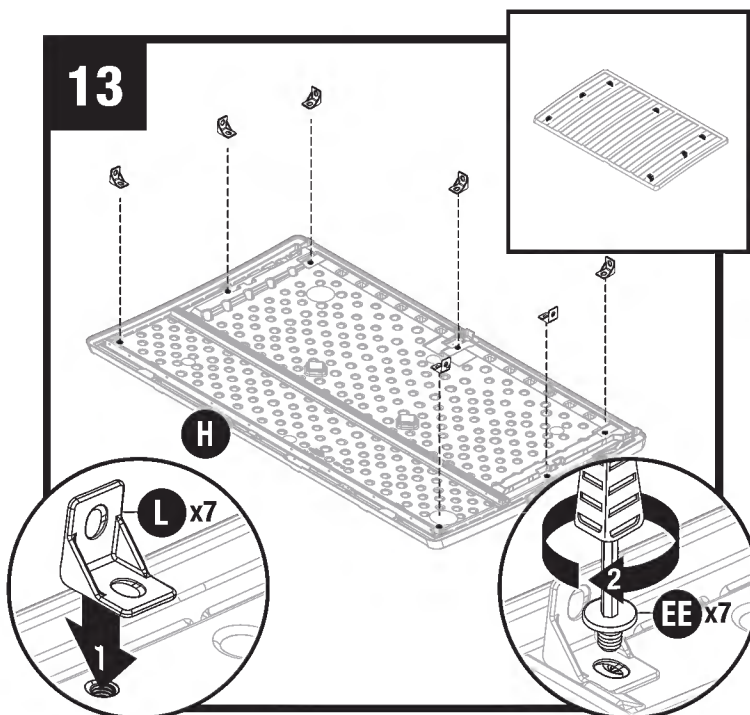


屋根を平らな面に置き、サポートブラケット(J)を屋根パネル(H)の下側にある溝にはめ込みます。サポートブラケット(J)の上側の穴は、右側にあるのが正しい向きです。トラスレッグの穴を屋根パネルのロケットに合わせます。ねじ(HH)を10本使ってブラケットを取り付けます。

注意: サポートブラケットは上図の向きで取り付けてください。ブラケットの向きを逆に取付けた場合、屋根は装着できません。

S字型レール(I)を屋根(H)の所定の位置まで下ろします。ねじ(HH)10本を使って取り付けます。S字型ブラケット(I)の正しい向きは上図の通りです。

注意: 屋根にはあらかじめ穴は開いていません。最初にセルフタッピングねじを回し始めるときは力を入れてください。いったんねじがプラスチックを突き抜けると、ねじは簡単に回すことができます。



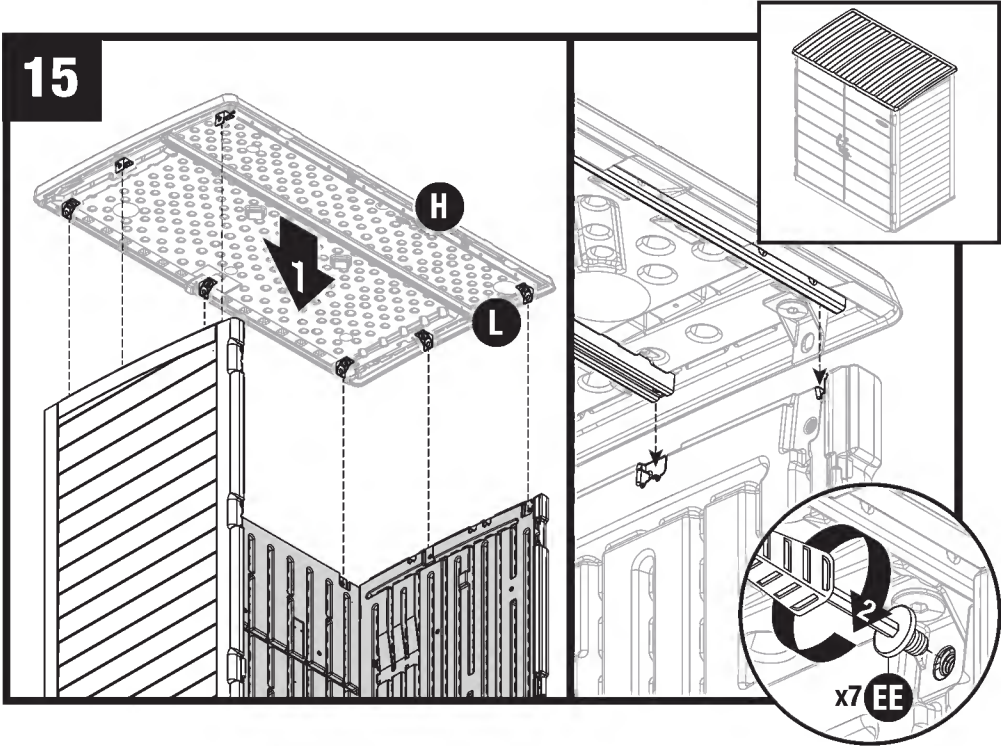
屋根ブラケット(L)を屋根の所定の位置まで下ろします。イーザーボルトでブラケットを固定します。イーザーボルト専用ドライバー(FF)を使って、手で締めてください。完全に締まると、イーザーボルトの頭は面一になります。イーザーボルトは締めすぎないでください。


ねじ(HH)2本を使って、ドア用クリップブラケット(II)を屋根パネル(H)の下部に取り付けます

注意: ブラケットの垂直部分は、必ず物置の内側に向けてください

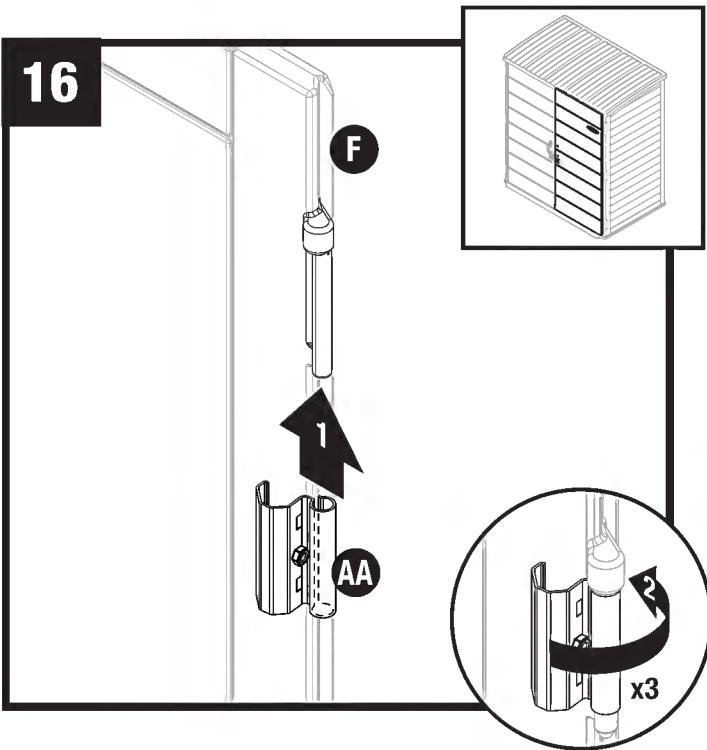
# 組立て・屋根 ドア


15



 屋根パネル(H)を下ろし、屋根ブラケット(L)を壁の穴に合わせます。トラスレグとS字型レール(屋根に取り付け済み)は、側部パネルの切り欠きに収まります(これは、屋根を適切な位置に配置するためのものです)。イージーボルト(EE)7本でブラケットを固定します。イージーボルト専用ドライバー(FF)を使って、手で締めてください。イージーボルトは締めすぎないでください。

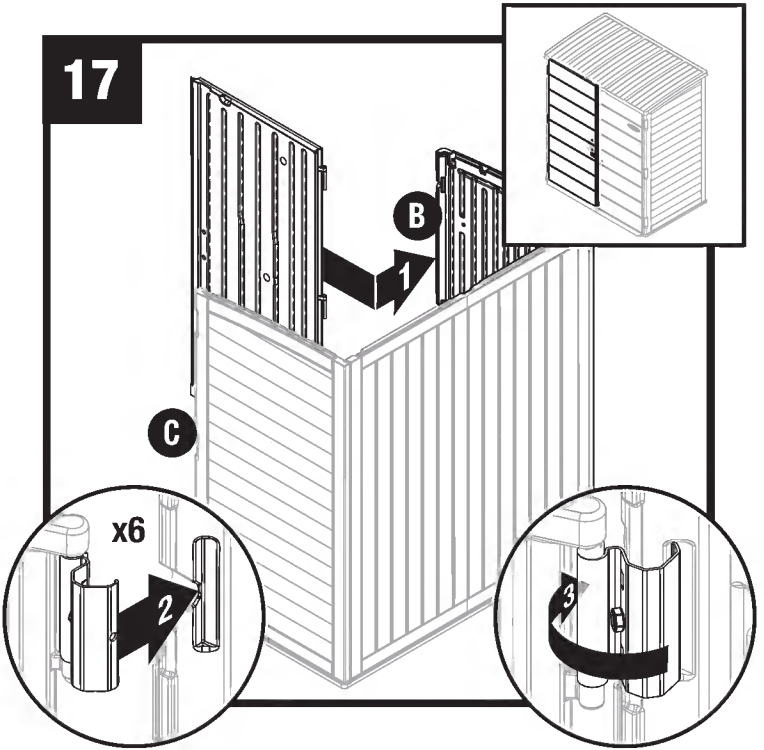
16




 右ドア(F)をヒンジマウントが右を向くように直立させます。金属製ヒンジプレート(AA)1つを各ヒンジマウントにスライドさせます。金属製ヒンジプレートを回転させて開位置にします。

左ドア(G)も同様にします

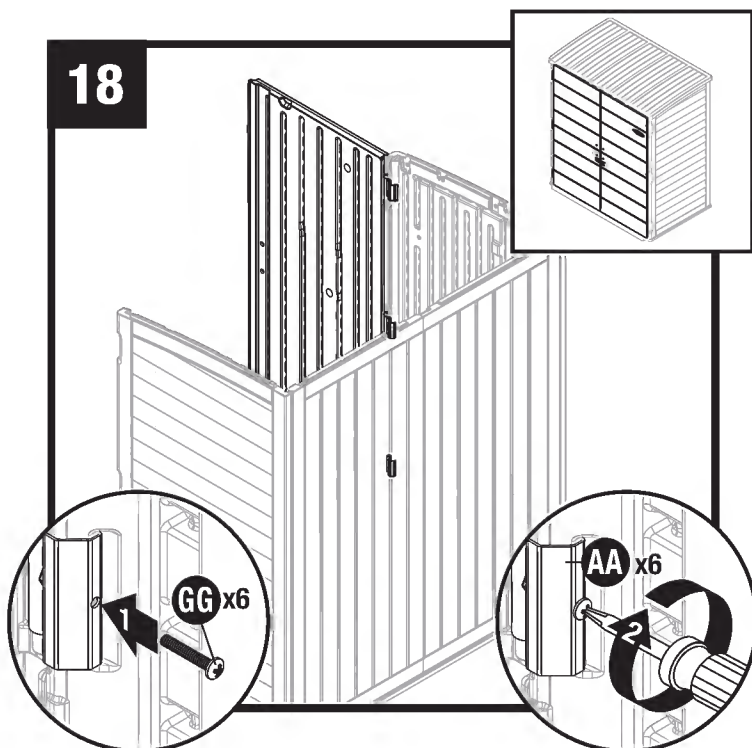
17




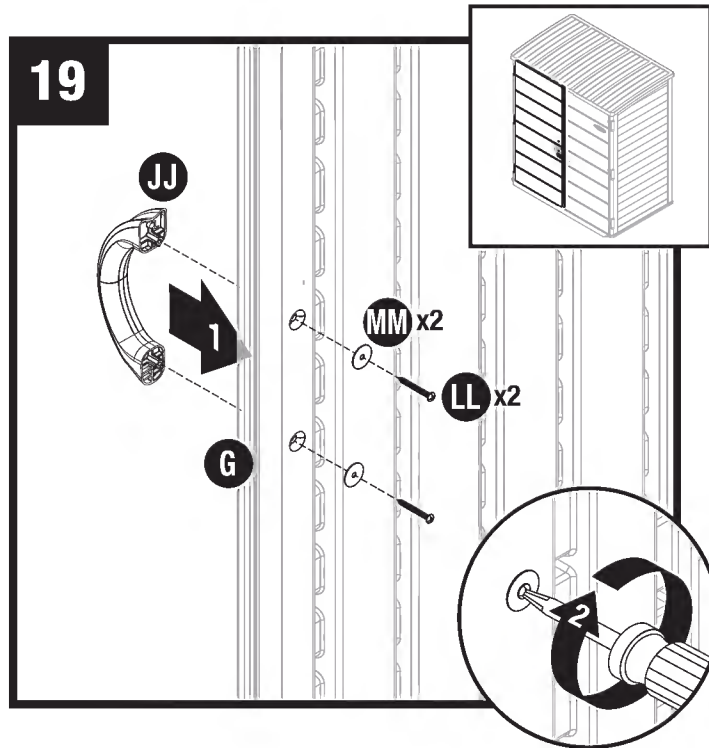
 側部パネル(B)と(C)の内側にある6つのヒンジ受けに、金属製ヒンジプレートをそれぞれ1つずつスライドさせます。



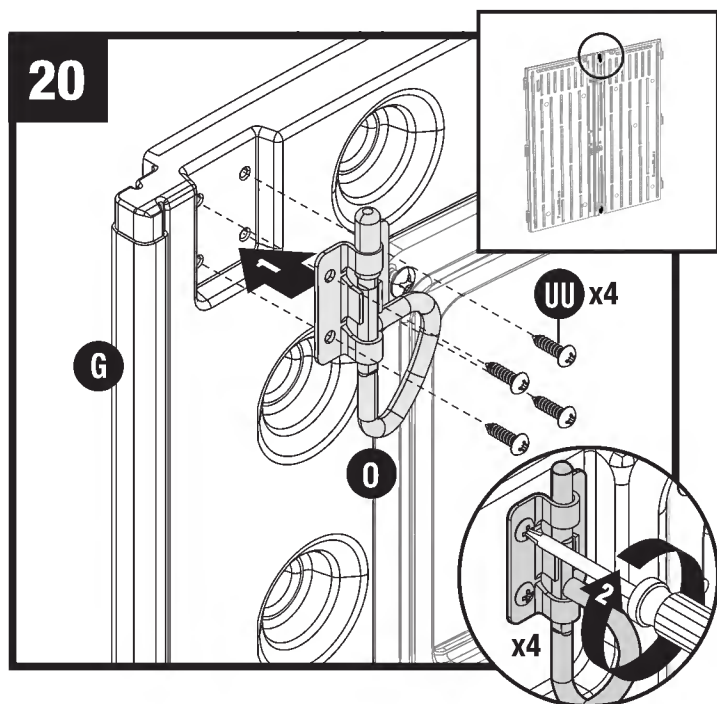
# 組立て・ドア



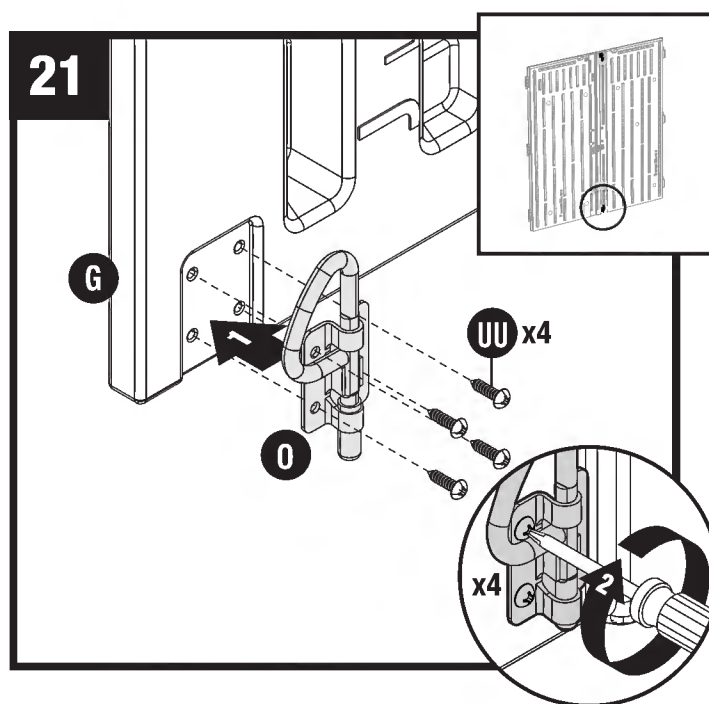
 各ドアヒンジ(AA)をねじ(GG)1本で固定します。



ワッシャー(MM)とねじ(LL)を使って、左ハンドル(JJ)を左ドア(G)に取り付けます。右ドア(F)と右ドアハンドル(KK)も同様にします。



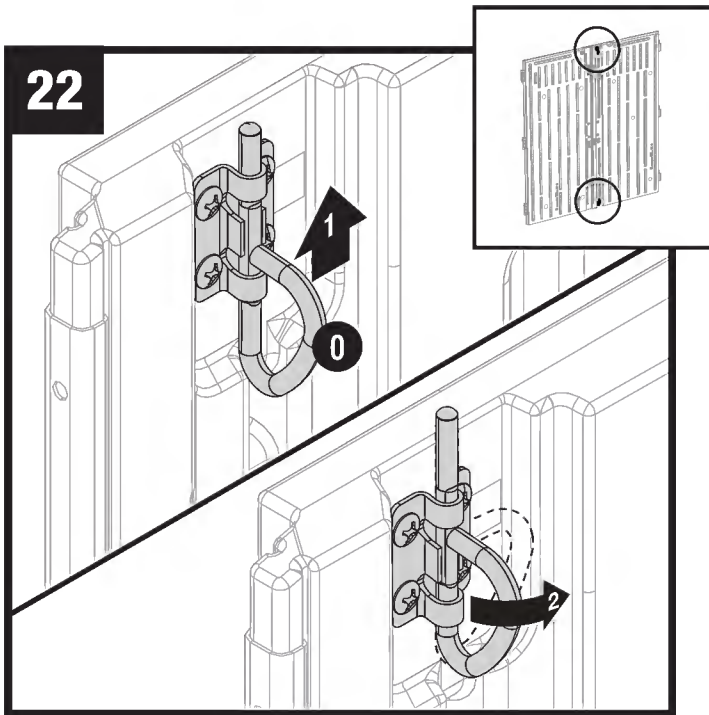
左ドア(G)の上部内側で、D字型リングスライドボルト(O)を、4本のねじ(UU)で所定の穴に取り付けます



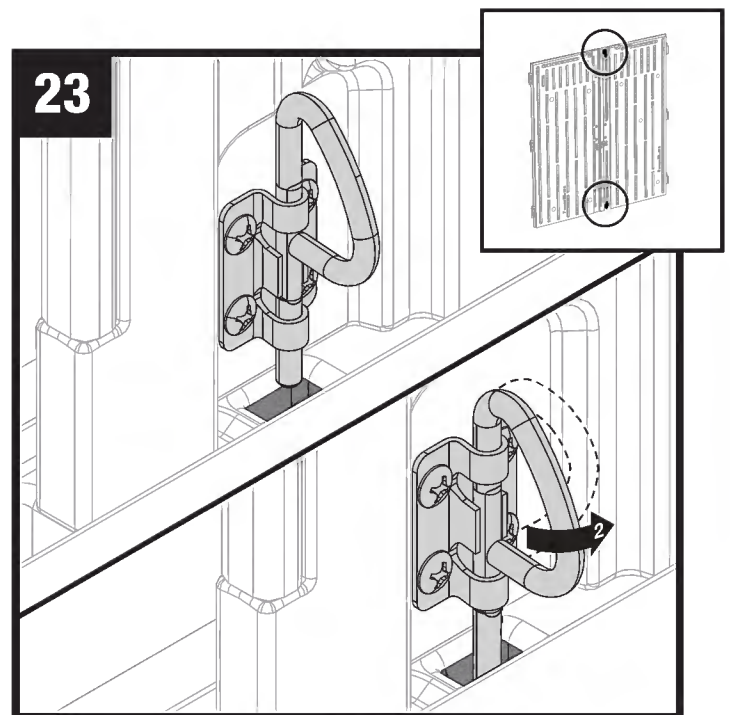
左ドア(G)の下部内側で、D字型リングスライドボルト(O)を、4本のねじ(UU)で所定の穴に取り付けます。



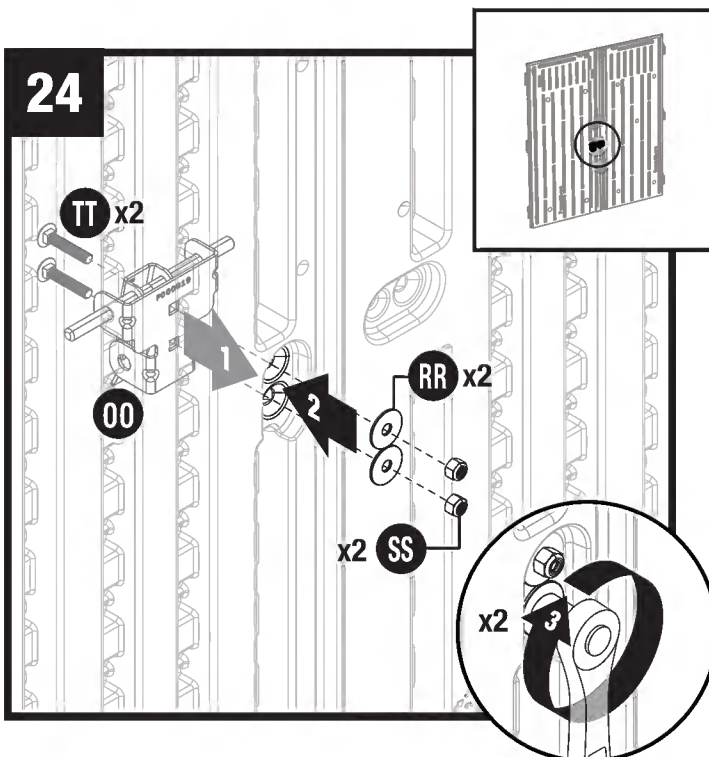
組立て・ドア (続き)



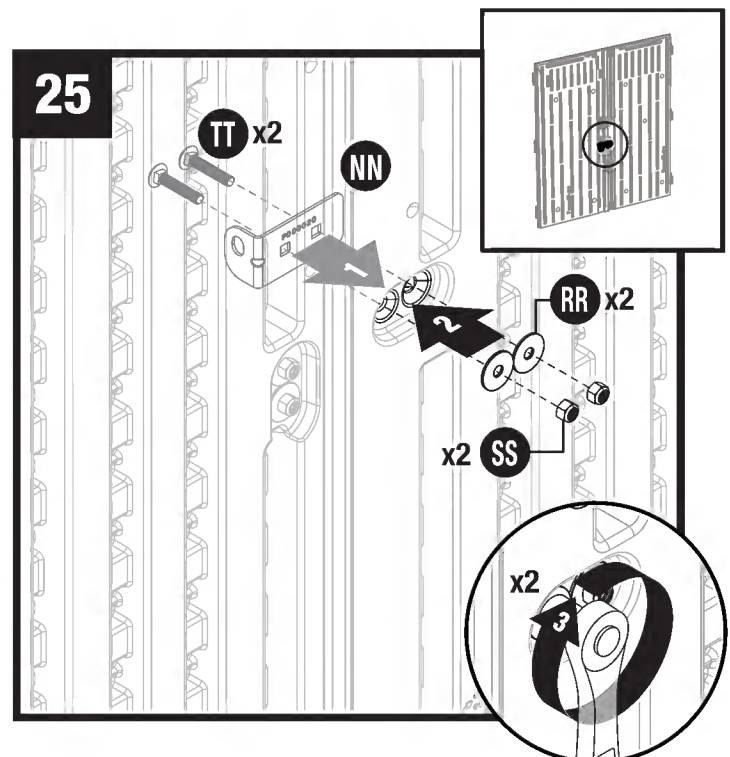
上部のD字型リング(O)を持ち上げて、屋根(H)の前部にはめ込みます。D字型リングを右に回してロック位置にします。



D字型リング(O)を押し下げ、床の穴にはめ込みます。D字型リングを右に回してロック位置にします。

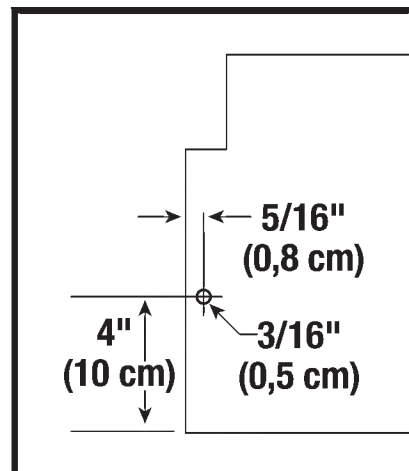
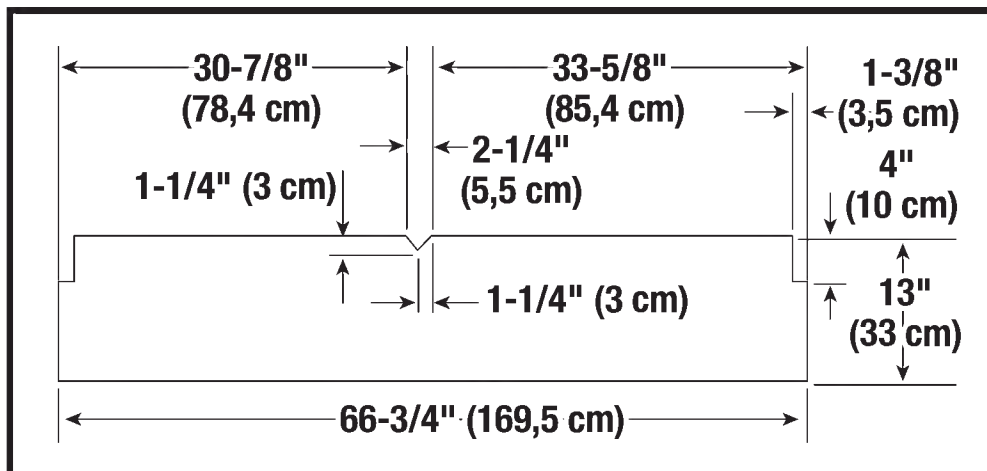


2本のネジ(TT)をドアラッチアセンブリ(OO)に挿入し、右側のドアに通します。ネジは、ドアを通り抜けるために、後でプラスチックの薄い部分に穴を開ける必要があります。ドアの外側のプレート(00)を所定の位置に保持しながら、2つのワッシャー(RR)と2つのロックで各ネジを固定しますナット(SS)。

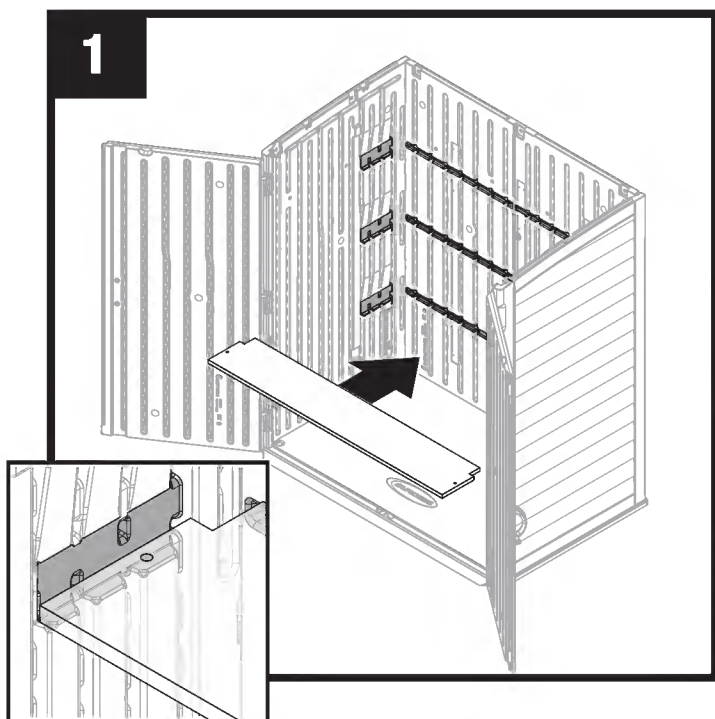


ねじ(TT)を左掛け金プレート(NN)に挿入し、左ドアに通します。ネジは、ドアを通り抜けるためにプラスチックの薄層に穴を開ける必要があります。プレートをドアの外側に固定したまま、ワッシャー(RR)2枚とロックナット(SS)2個で各ねじを固定します。

## オプションの内部木製棚 (材料は本製品には含まれていません)

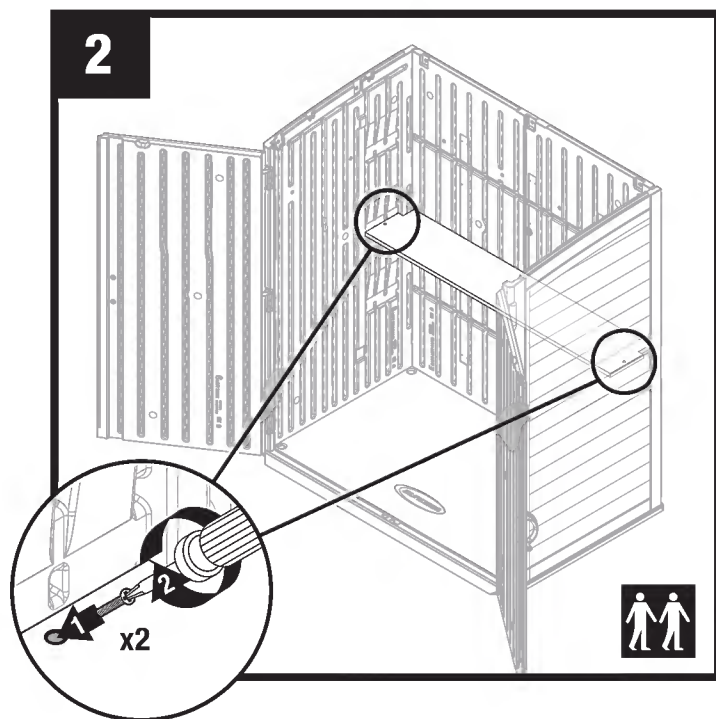


- 物置には、3つの木製棚をオプションで追加することができます
- 上記の寸法で3/4インチ(約2センチ)の厚さの木材から棚板を切り出します。
- 棚板の両サイドに3/16インチ(約0.5センチ)の下穴を1つずつ開けます



棚板を物置に設置します。棚板は、側部パネルと後部パネルの棚受けに完全に据え付けられていなければなりません

注意: 図を見やすくするために、屋根は表示されていません。



棚板を固定するには、#8×1.25インチ(またはそれに該当する寸法のメートルねじ)の乾式壁ねじ(本製品には含まれていません)を各下穴から側部パネルに挿入してください。

注: 必要に応じてサイドパネルを内側に押し、シェルフをサイドパネルとバックパネルのシェルフサポートに完全に固定します。

